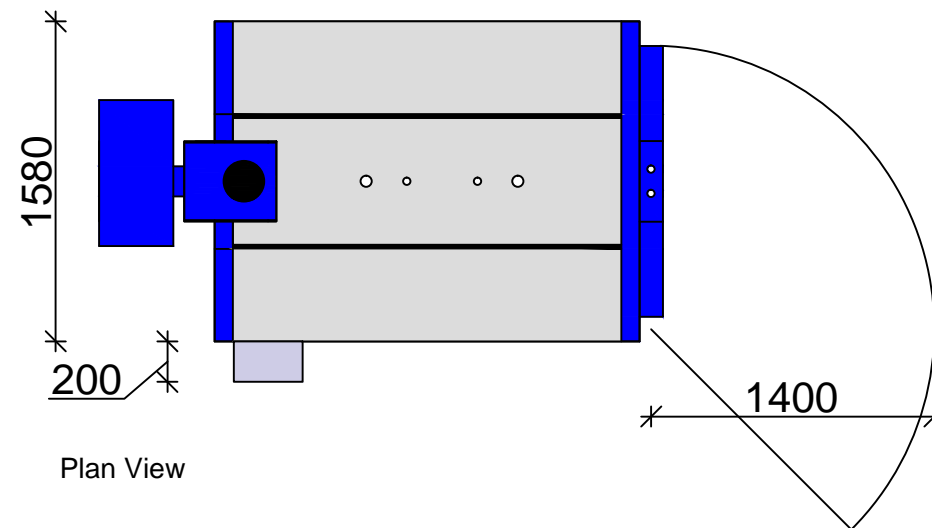
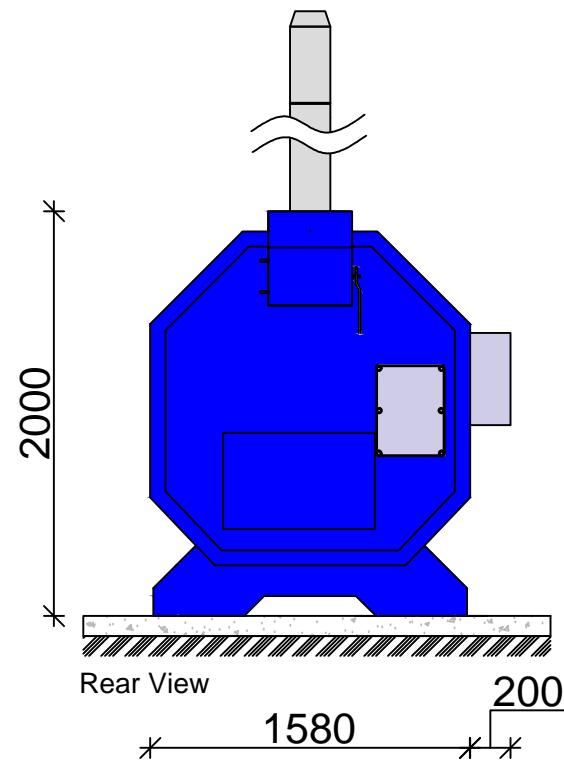
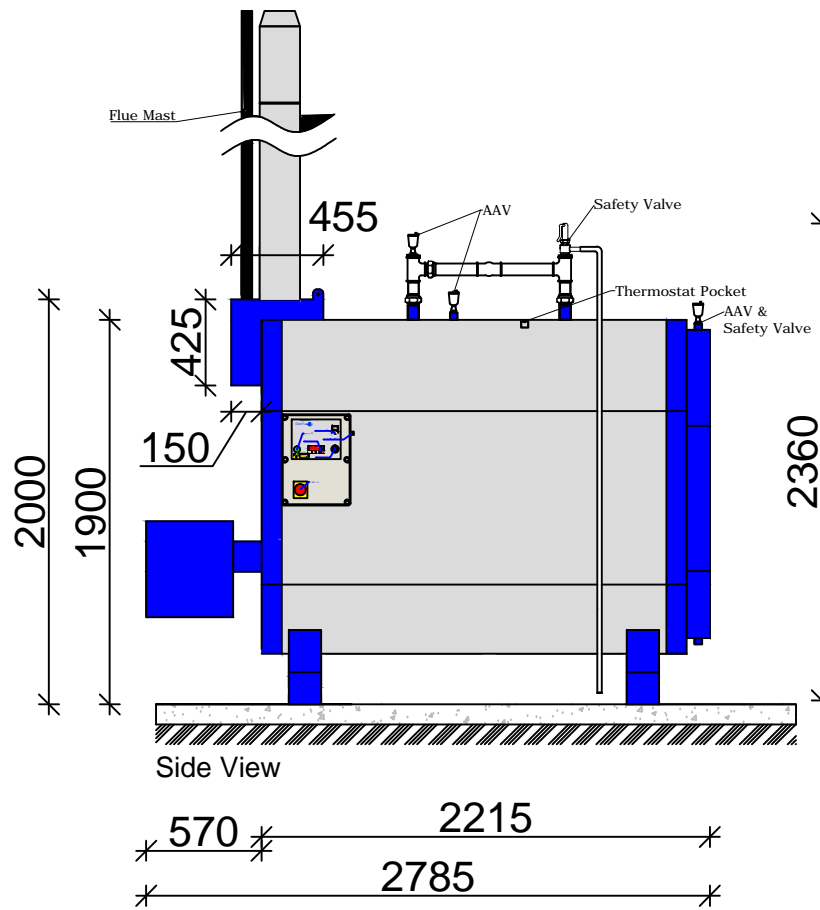
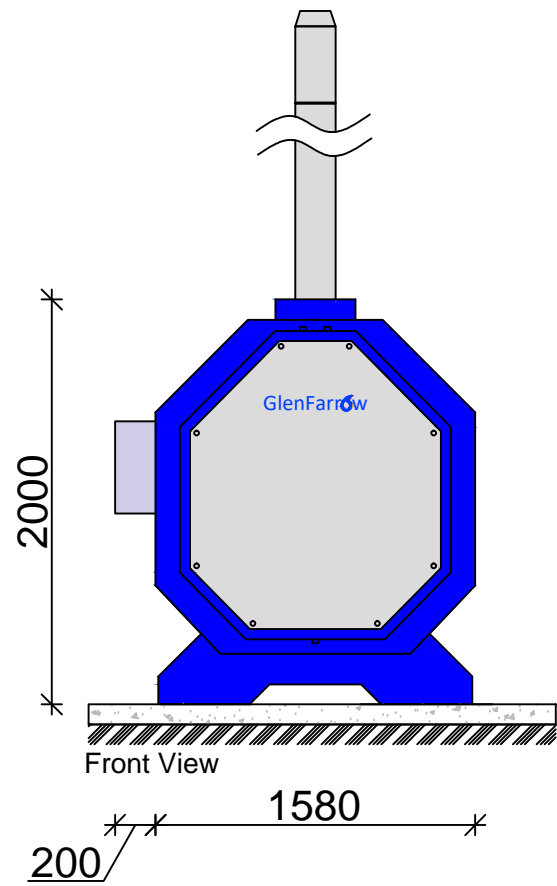


GF210 DIMENSIONS



Note:

- Dimensions are in millimeters.
- Dimensions of the boilers and container might vary $\pm 5\%$

NOTES:

GlenFarrow

Spalding Road, Pinchbeck, Spalding, Lincs. PE11 3UE

Plumbing, Heating,
Irrigation, Water &
Pumping Services

Tel: 01775 722327 Fax: 01775 725444
email: info@glenfarrow.co.uk

CLIENT:

PROJECT:
GF210 Biomass Boiler Elevations
Front / Side / Rear / Plan Views

SCALES: NTS	DRAWN: AL	DATE: 19/10/2018
----------------	--------------	---------------------

DRAWING NO: Bio-GF210 007	REV: -	A3
------------------------------	-----------	----

NOT FOR CONSTRUCTION