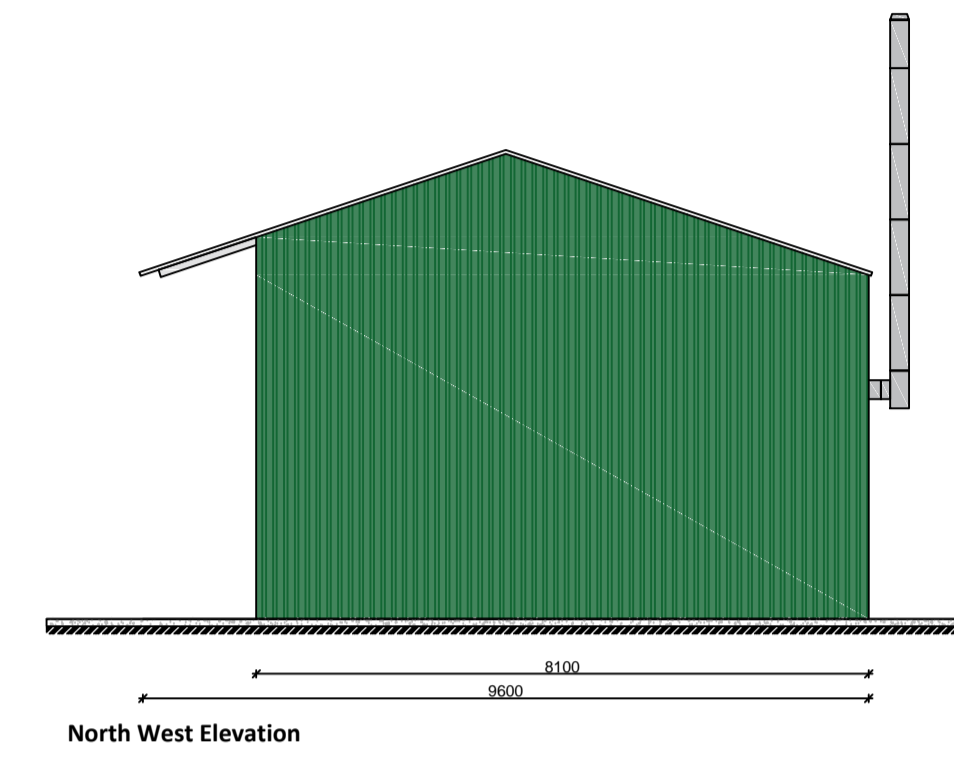
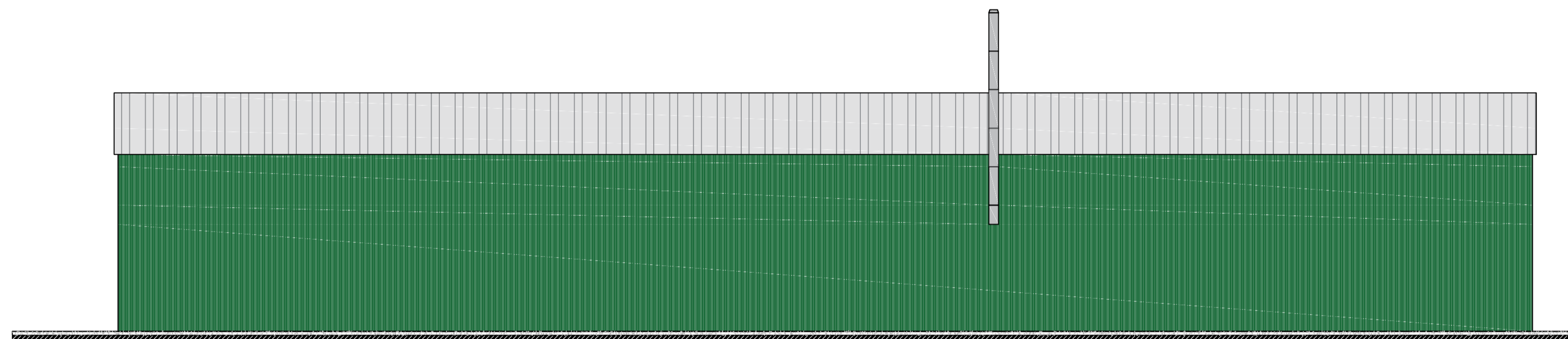


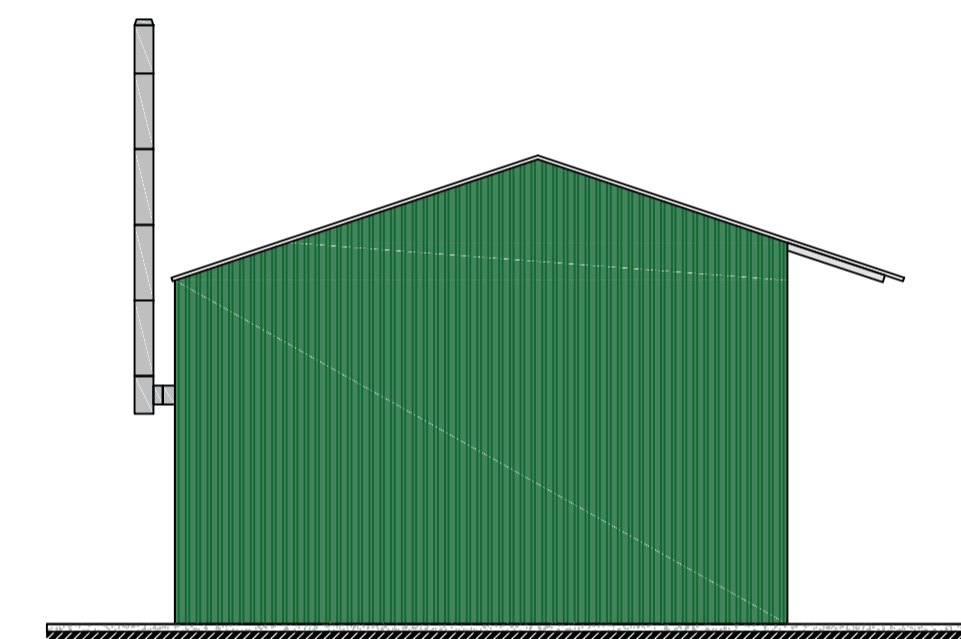
North East Elevation



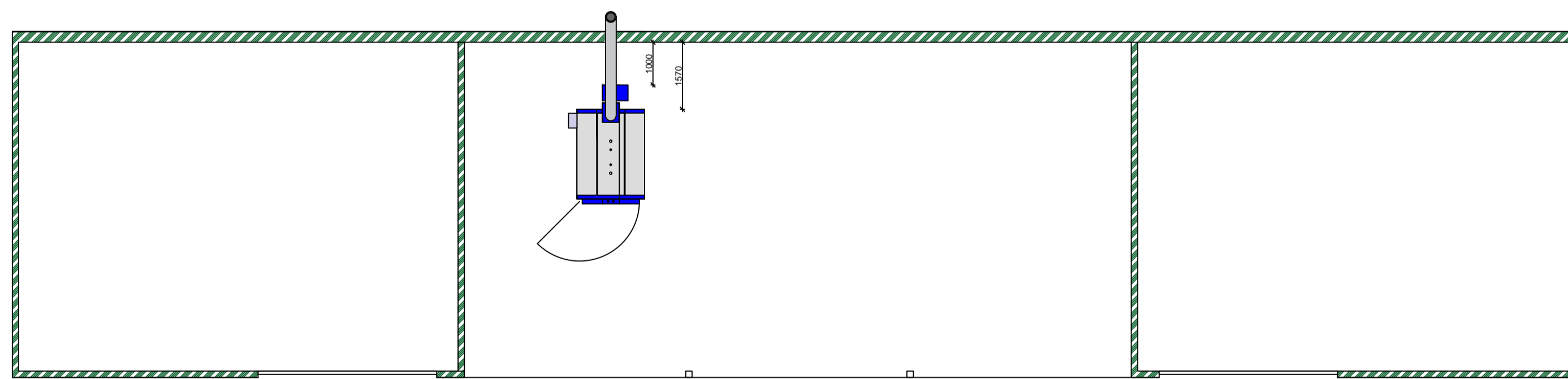
North West Elevation



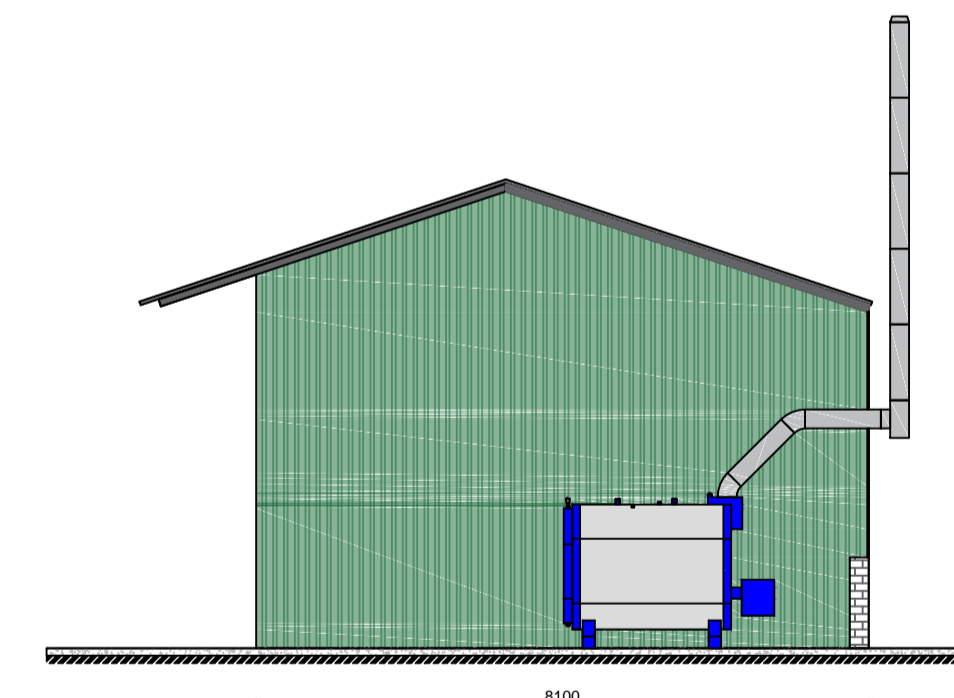
South West Elevation







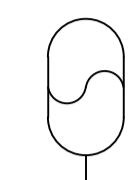
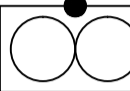

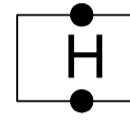
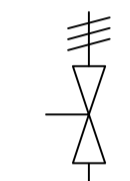
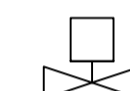
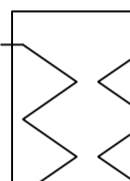
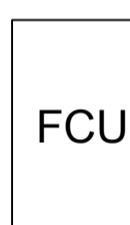
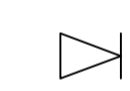
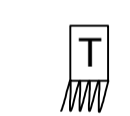
South East Elevation



Floor Plan



Section A - A

-  Circulator
-  Direction of Flow
-  Isolation Valve
-  Temperature Spore
-  Expansion Vessel
-  Flow Meter
-  Eligible Use
-  Inegrator
-  P.R.V.
-  Motorised Valve
-  Plate Heat Exchanger
-  FCU Fan Coil Unit
-  Non Return Valve
-  Pipe Thermostat

GlenFarrow

Glendum Close, Pinchbeck, Spalding, Lincs. PE11 3DQ

**Plumbing, Heating,
Irrigation, Water &
Pumping Services**

Tel: 01775 722327 Fax: 01775 725444
email: info@glenfarrow.co.uk

CLIENT:
Mr. JAMES MATTHEWS
THE LOG SHOP MIDLANDS LTD
STONEY LANE FARM
STONEY LANE
TARDEBIGGE
BROMSGROVE
B60 1LZ

PROJECT:
New Biomass Boiler GF210 installation
Job No. 47279
Elevations

SCALES: 1:100 DRAWN: AL DATE: 27/01/2021

DRAWING NO: 47279 - 001 REV: - A1

NOT FOR CONSTRUCTION