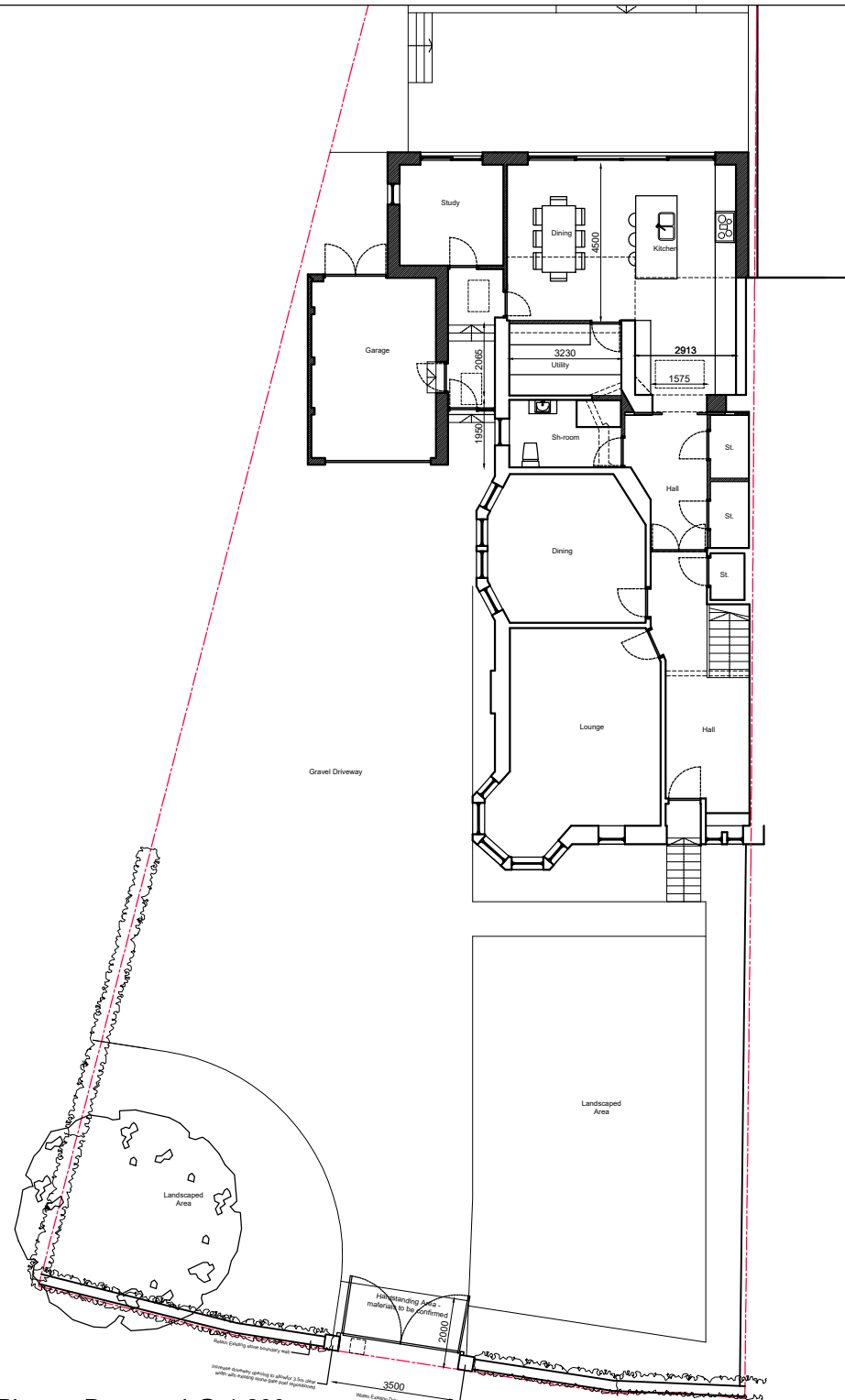
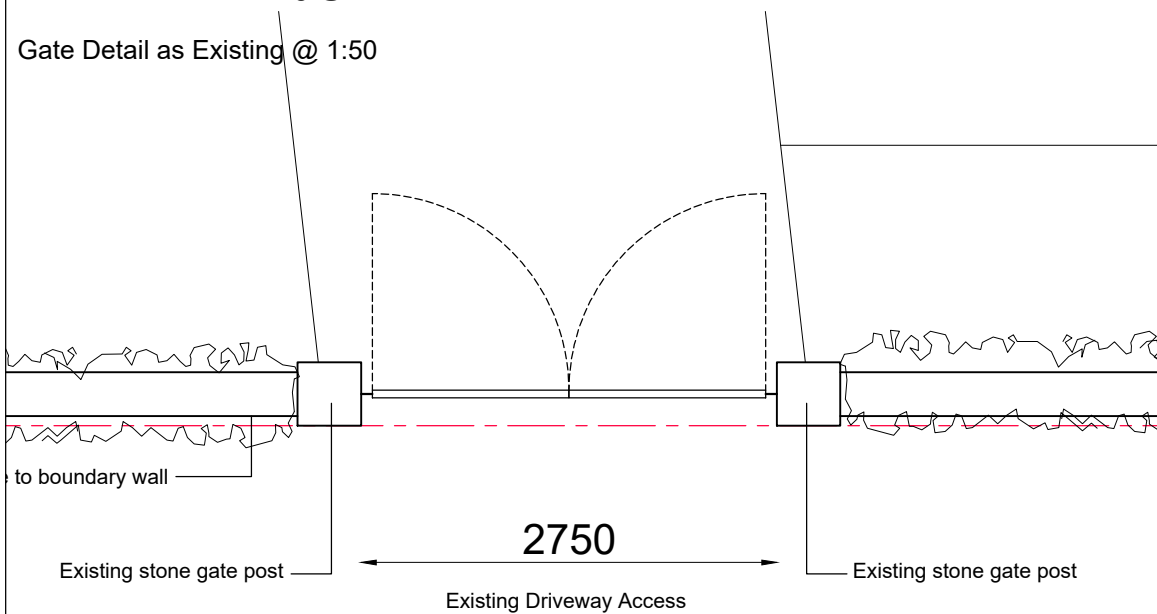


Site Plan as Existing @ 1:200

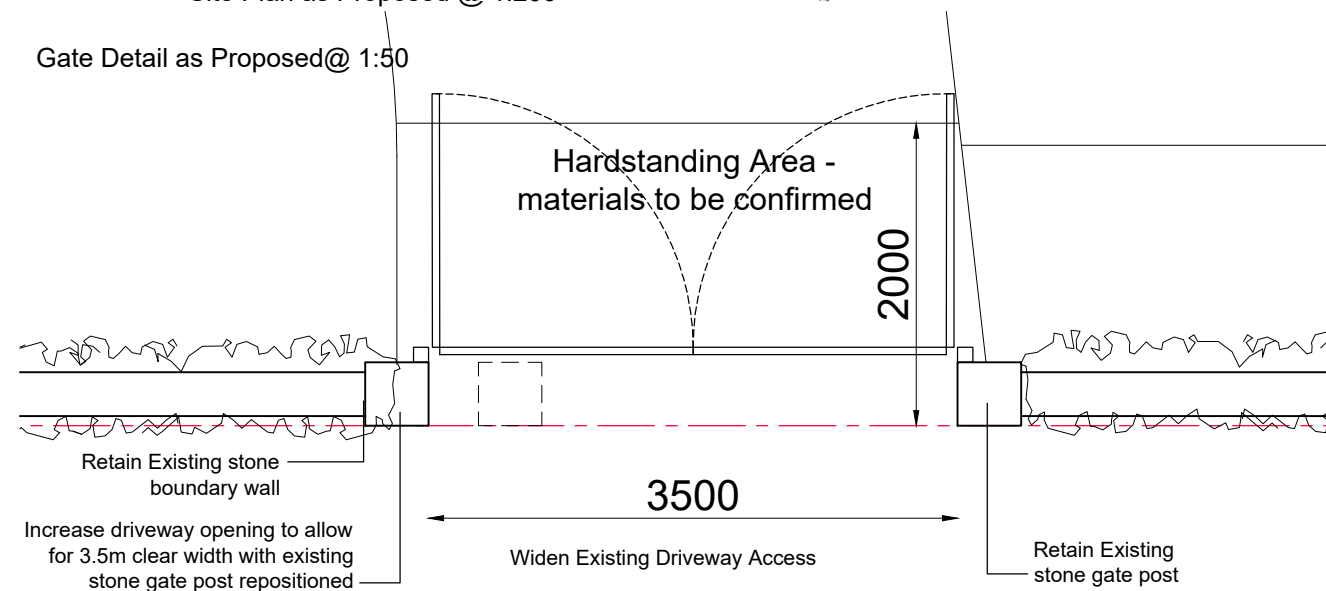


Site Plan as Proposed @ 1:200

Gate Detail as Existing @ 1:50



Gate Detail as Proposed @ 1:50



**Notes:**  
Do not scale from this drawing.  
If in doubt consult the architect.

REV.	REVISION NOTES:	DATE	ISSUED

**inkdesign**  
architecture



0141 552 2729  
info@inkdesign.co.uk  
www.inkdesign.co.uk  
Unit 6, 141 Bridgegate, The Briggait, Glasgow, G1 5HZ.

**Client**  
Mr. & Mrs. Anderson  
42 Calderwood Road  
Glasgow  
G43 2RU

**Project**  
Single Storey Rear Extension with Internal and External alterations. Landscaping works at 42 Calderwood Road Glasgow G43 2RU

Drawing	Scale
Site Plan as Existing & Proposed	1:200 & 1:50 @ A3

Drawn	Checked
EP	MH

Stage	Revision Date
3 - Planning	

Drawing Date	Drawing No.	Revision No.
Mar 21	20-807- PL 13	