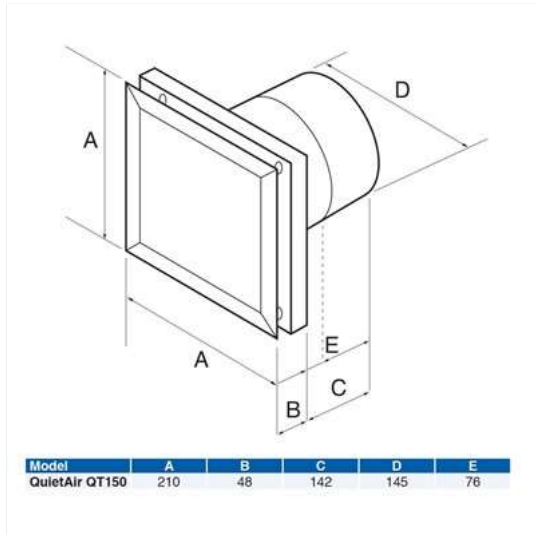


Products > Intermittent Extractor Fans > Residential Intermittent Extractor Fans > **All Residential Intermittent Extractor Fans**



QuietAir QT150HT

90000456

£280.93 each

✓ In Stock

QuietAir Fan With Adjustable Humidity & Timer

- 1 + [Add To Basket](#)



Description

Functionality

Downloads

After the very successful launch of QuietAir 100 and 120 fans, we are pleased to announce the arrival of a 150mm version. **QuietAir QT150HT** combines contemporary design with powerful performance and outstanding energy efficiency.

Application

Suitable for kitchens and light commercial

[Watch the Product Video \(Opens in a New Window\)](#)

Main Features

- Quiet from only 35 dB(A)
- Delay start for two minutes avoids unnecessary use (especially at night), and saves energy
- Power consumption from only 6 watts
- Two speed options, 220 m3/hr and 260 m3/hr
- Adjustable humidity and timer
- High efficiency impeller with powerful extraction for longer duct runs, including 90 degree bends
- Integral flow straightener and back draught flap
- Clip-on cover for ease of cleaning
- Complies with latest 2010 Building Regulations Approved Document F
- Airflow 220/260 m3/hr, 61/72 l/sec
- Axial high efficiency impeller
- Long life ball-bearing motor with 40,000 hours life
- Wall/ceiling mounting
- Sound pressure 35/39 dB(A) @ 3m
- Adjustable Humidity 65% - 90% RH
- Adjustable timer (minutes) 6, 10, 15, 21
- Power 6/10 watts
- Low SFP (Specific fan power) 0.09 w/l/s
- Voltage - 230/1ph/50Hz
- Rating IP45
- Max. ambient temperature 40 degree

[Watch QuietAir Set-Up Video \(Opens in a New Window\)](#)

You may also wish to consider



We use cookies to give you the best possible experience on our site. By continuing to use the site you agree to our use of cookies. [Dismiss](#) | [More Information](#) X