



NEW PIZZA TAKEAWAY HATCH TO BE CONSTRUCTED FROM TIMBER AND TO MATCH EXISTING WINDOW DETAILS. WINDOW HATCH TO BE PAINTED IN BLACK EXTERIOR PAINT TO MATCH SHOP FRONT. PAINT SPEC TBC.

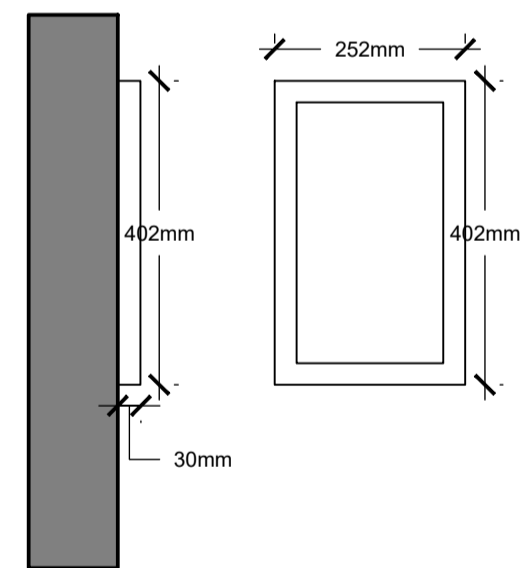
NEW AWNING TO BE INSTALLED INTO EXISTING FITTING.

NEW MELT SIGN TO BE INSTALLED ONTO FACADE. REFER TO SIGNAGE DRAWING FOR FULL SPEC.

WOODWORK ON FACADE TO BE PAINTED. PAINT SPEC TBC

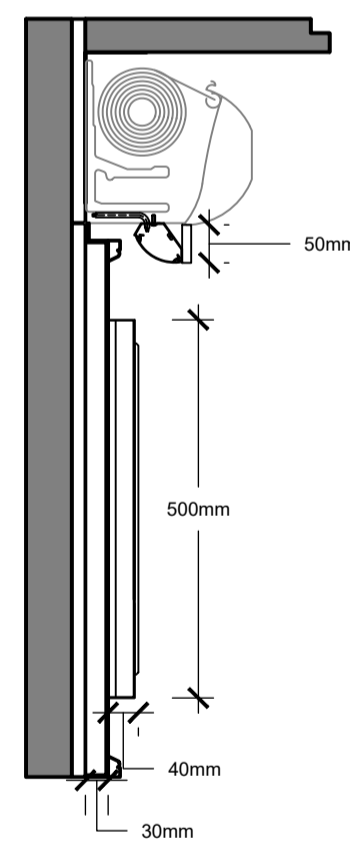
DIMENSIONS ARE FOR PRICING PURPOSES ONLY. MANUFACTURER MUST TAKE OWN SURVEY PRIOR TO CONSTRUCTION.

PROPOSED EXTERNAL SIGNAGE
ELEVATION
SCALE: 1:20



2NO. POS ANDROID NETWORK DIGITAL ADVERTISING DISPLAY WILL BE POSITIONED EITHER SIDE OF THE ENTRANCE DOORS.

DIGITAL MENU DISPLAYS
ELEVATION & SECTION
SCALE: 1:10



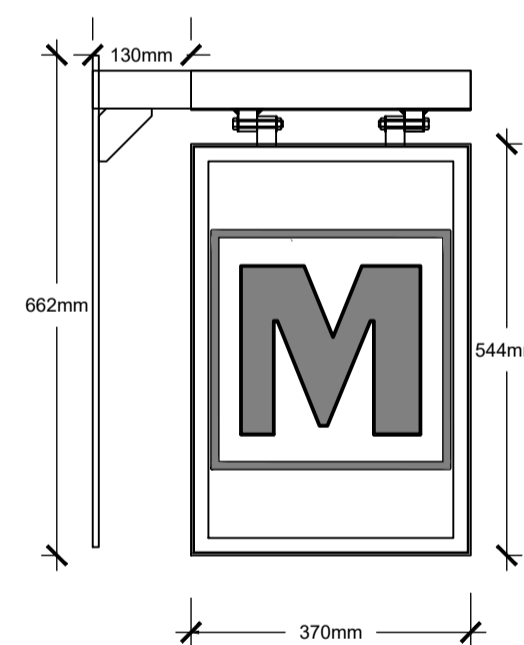
MELT LOGO SIGN SITUATED ABOVE THE DOORWAY. DESIGNED MANUFACTURED AND INSTALLED BY EXTERNAL CONTRACTOR.

VINYL FACE WITH HALO ILLUMINATION TO READ "MELT"

SIGN WILL BE 500MM X 1016MM X 40MM.

EXISTING AWNING TO BE RETAINED AND NEW FABRIC INSTALLED.

EXTERIOR MELT NEON SIGN
SECTION
SCALE: 1:10

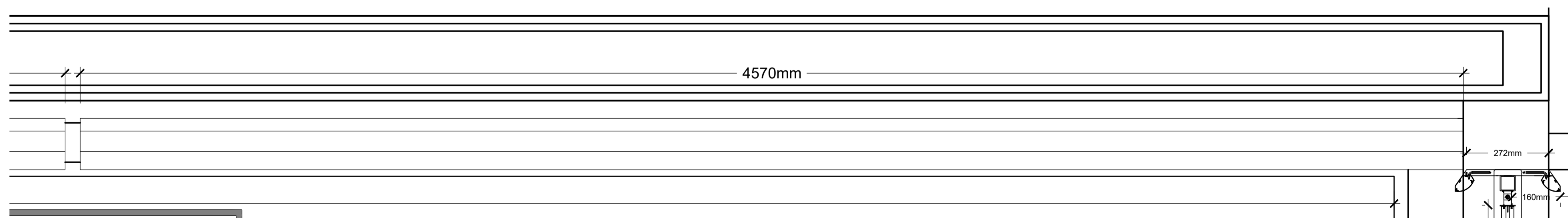


ILLUMINATED HANGING SIGN TO BE DESIGN, MANUFACTURED AND INSTALLED BY EXTERNAL CONTRACTOR.

TROUGH LIGHTING TO SIT ABOVE HANGING SIGN AS INDICATED.

WOODEN HANGING SIGN WILL BE FIXED TO THE EXTERIOR OF THE BUILDING WITH CAST IRON BRACKET.

ILLUMINATED HANGING SIGN
FRONT ELEVATION & SECTION
SCALE: 1:10



2 EXISTING AWNINGS FITTED TO SHOP FRONT.

NEW FABRIC WITH MELT LOGO ON IN MATCHING COLOUR TO EXTERIOR PAINT.

AWNING SPAN 4570MM X 170MM.

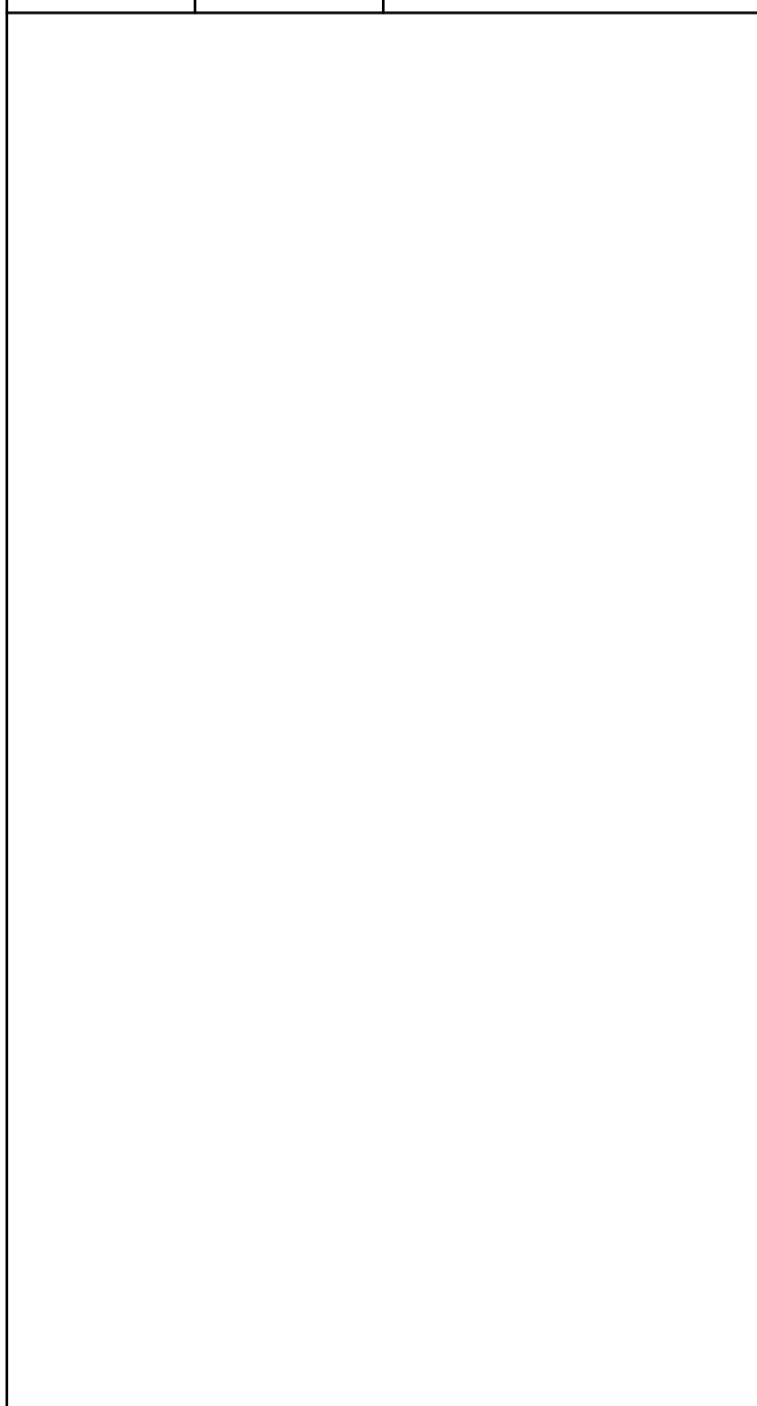
SPECIALIST CONTRACTOR TO MEASURE, DESIGN AND INSTALL NEW AWNINGS TO SHOP FRONT.

EXTERIOR AWNING
ELEVATION
SCALE: 1:10

THIS DRAWING IS PROPERTY OF THE NOVO DESIGN HOUSE LTD.
Copyright is reserved by them and the drawing issued on condition that it is not copied either wholly or part without the consent in writing of Novo Design.
Figured dimensions to take preference over those scaled. All dimensions to be checked on site before commencement of any work or shop drawings. This drawing is to be read in conjunction with the specification when existing.
The information on this drawing is to be read in conjunction with the bill of quantities / specification and any other related drawings. The contractor must ensure that all items detailed on this drawing are included when tendering even if not covered by the specification. NOVO DESIGN must be advised in writing of all such items. Any discrepancies between drawings and specification must be resolved with NOVO DESIGN prior to commencing works.
All structural work must be carried out in accordance with the drawing and calculations provided by the appointed Structural Engineer. All structural work must be inspected at regular and relevant intervals by the Structural Engineer and Building Inspector. If there are any changes or alterations these must have written approval.
All works are to be carried out in accordance with all Local Authority, British & European Standards. If in doubt, it is the responsibility of the contractor to contact all relevant parties.
Due to the new guidance of CDM 2015, NOVO DESIGN wont proceed with any design or drawing work until the client is aware of their responsibility obligated to them under these regulations.

EDA	119m2 (int) TBCm2 (ext)
EXISTING INTERNAL COVERS	N/A
EXISTING EXTERNAL COVERS	N/A
PROPOSED INTERNAL COVERS	82
PROPOSED EXTERNAL COVERS	TBC

REVISIONS		
REV	DATE	COMMENT
/	12.09.2020	REVISED BY NOVO DESIGN
A	21.01.2021	AWNINGS TO MATCH EXISTING
B	16.03.2021	AWNINGS TO MATCH EXISTING
C	12.05.2021	WOOD DESIGN CHANGES



NOVO DESIGN
80 TAMWORTH ROAD, ASHBY DE LA ZOUCH, LEICESTERSHIRE, LE65 2PX
WWW.NOVO-DESIGN.COM
E-INFO@NOVO-DESIGN.COM
T-01928794210

Client MELT		
Address 22-24 High Street Broomsgrove, B61 8HQ		
Drawing Title SIGNAGE SCHEDULE		
Scale 1:20 & 1:10 @ A1		
Date 23.09.20	Drawing No 1275 - 09	Revision C
Drawn By RG		