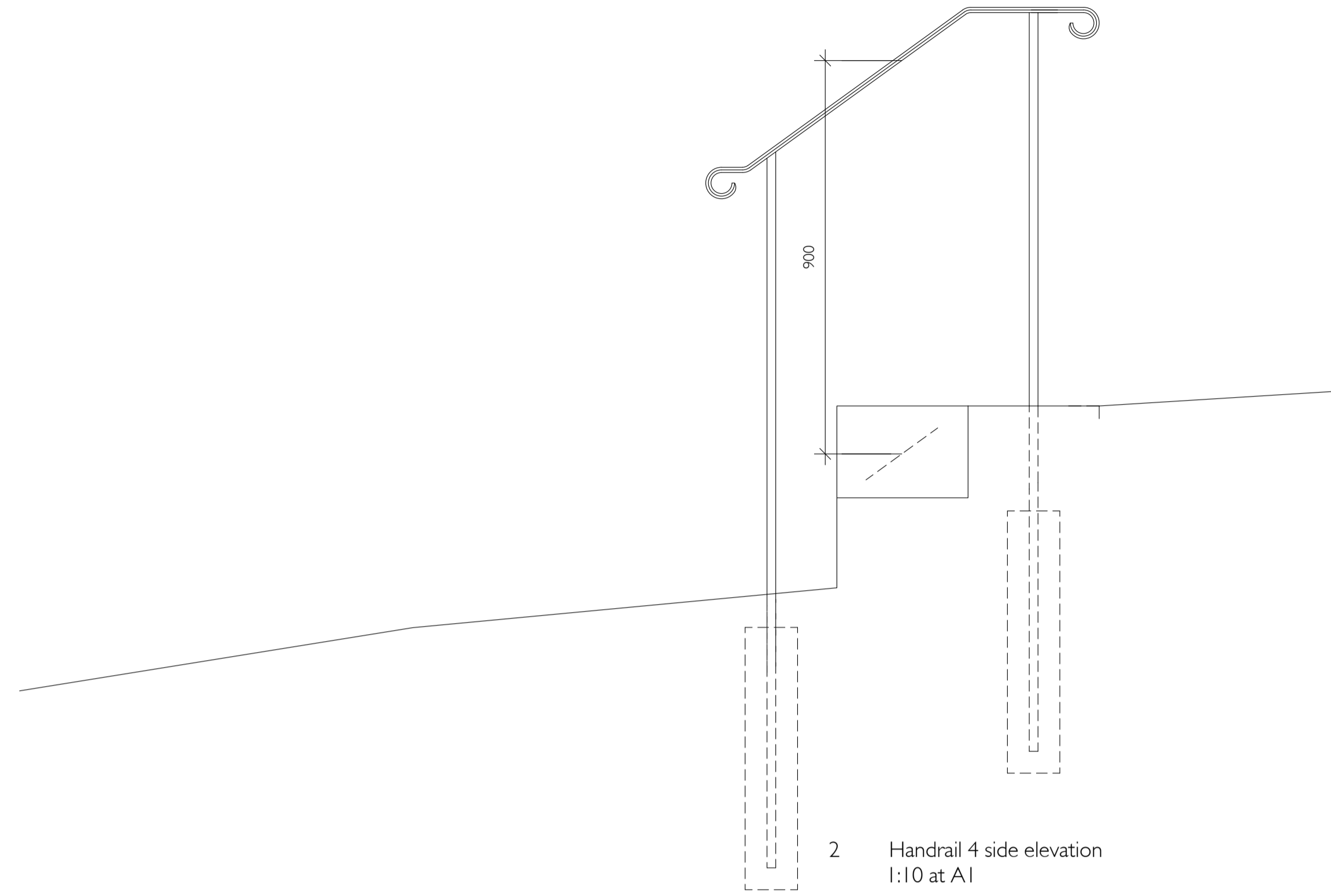
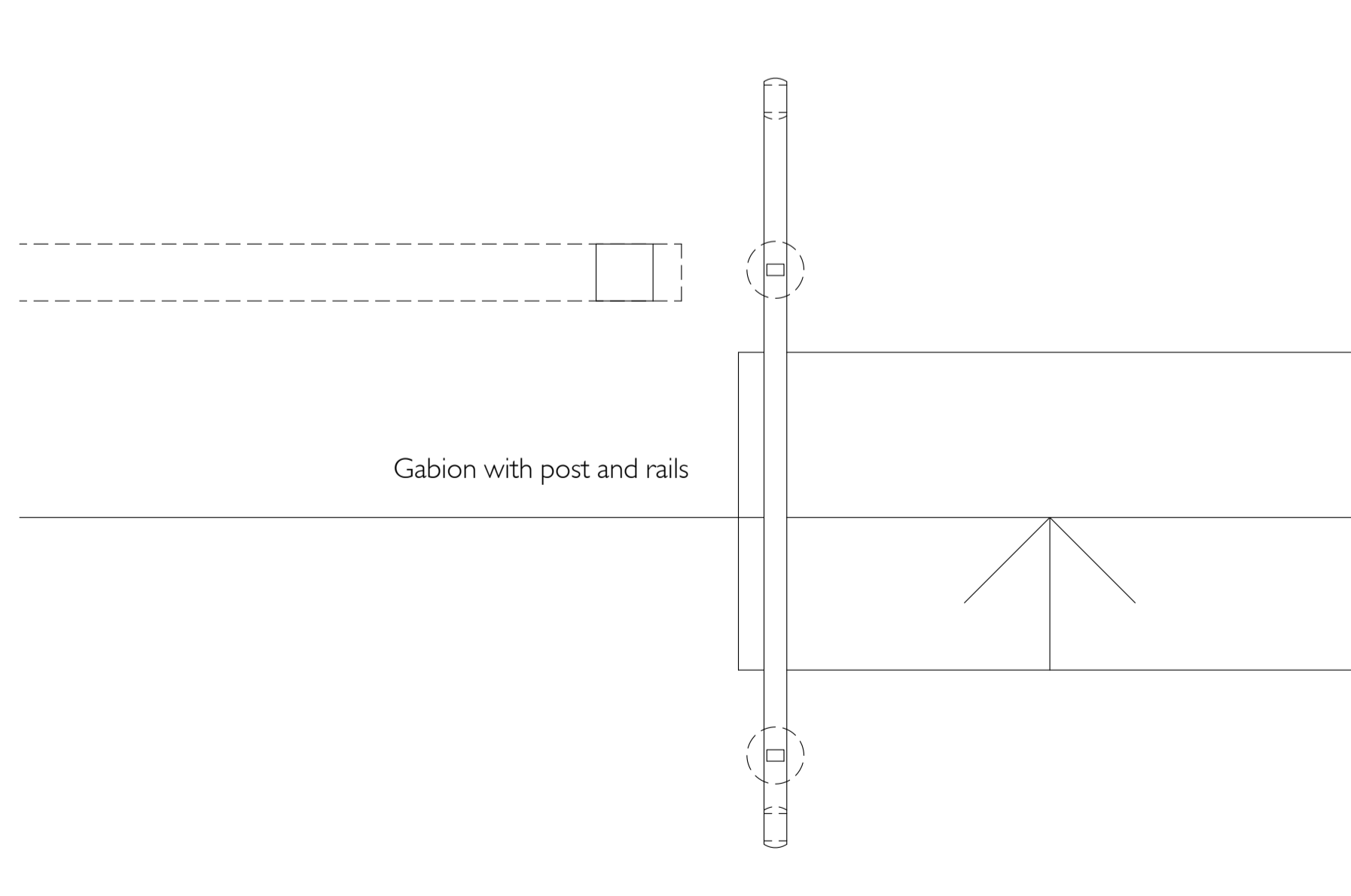


1 Handrail 4 front elevation  
1:10 at A1



2 Handrail 4 side elevation  
1:10 at A1

NB - BALUSTRADE POST CAST-IN POCKETS  
TO AVOID NEW DRAINAGE



3 Handrail 4 plan  
1:10 at A1

Notes

- 1 All mild steel to be galvanized to BS EN ISO 1461. Grit blasted to ISO 8501-1 SA 2.5 and BS 7079 using chilled angular iron G24 grit and immediately galvanized with a 140 micron thickness coating. Coating to be carefully fettled for smooth to touch finish.
- 2 Fabrication joints and details to be confirmed with architect.
- 3 No drilling, cutting or welding to be done after galvanizing.
- 4 Foundation details to be confirmed and to avoid all below ground services and drainage.

Revision	Date	Description	Drawn
----------	------	-------------	-------

Architect

**Rolfe Kentish architect Ltd**  
52 St Bamabas Road Cambridge CB1 2DE  
mail@kentish.net 07785 785656

Client

**Borlase Smart John Wells Trust**  
Porthmeor Studios, Back Road West, St Ives, Cornwall TR26 1NG  
admin@bsjwtrust.co.uk 01736 339339

Project

**Anchor Studio -  
Repair & renovation**  
The Meadow, Trewarveneth, Newlyn TR18 5JJ

 HERITAGE FUND

Drawing title

**Handrail 4  
Proposed**

Scale	Date
-------	------

1:10 at A1 12/03/21

Drawn	Checked
-------	---------

RK POF

Drawing number	Revision
----------------	----------

AS 113 -