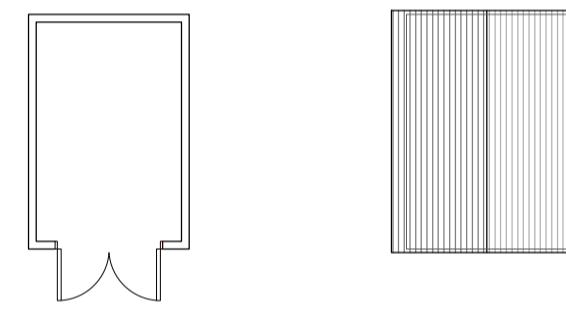
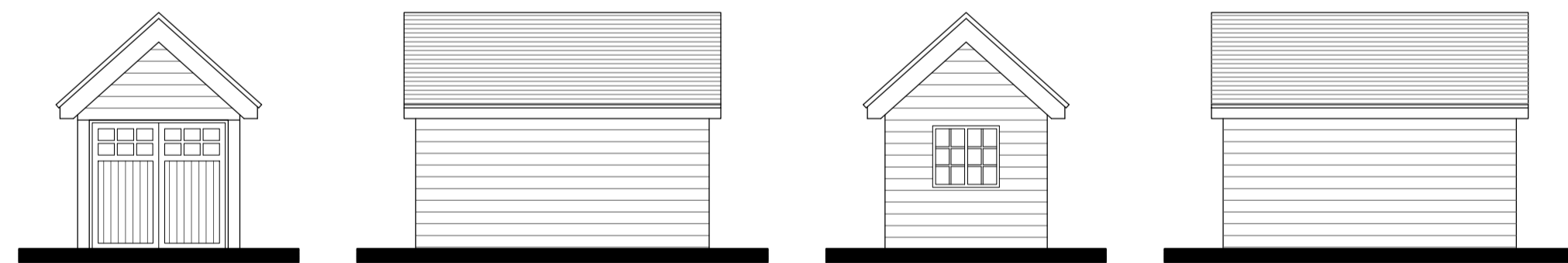


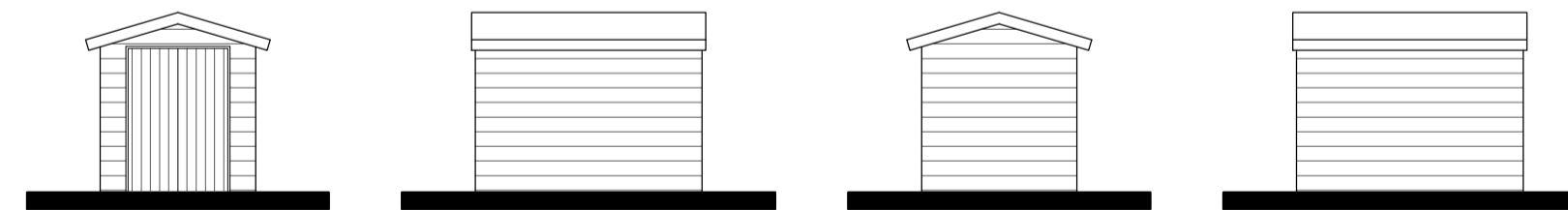
EXISTING GARAGE - PLAN AND ROOF PLAN
Scale 1:100



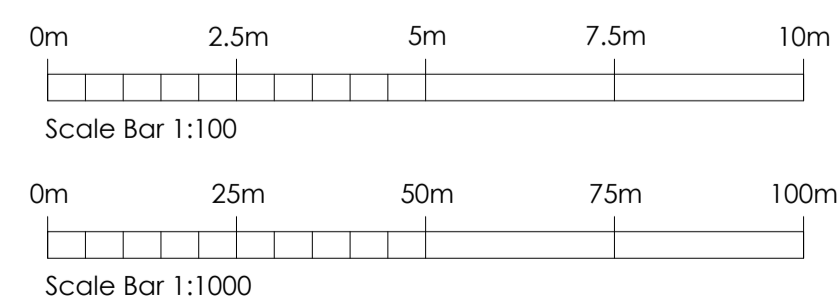
EXISTING SHED - PLAN AND ROOF PLAN
Scale 1:100



EXISTING GARAGE - ELEVATIONS
Scale 1:100



EXISTING SHED - ELEVATIONS
Scale 1:100



Rev	Date	Comments
-----	------	----------

PLANNING

Client
Mr & Mrs May

Project
60 Hitchen Hatch Lane
Sevenoaks
Kent
TN13 3AU

Title
Site Location Plan; Existing garage
and shed plans/elevations

Project No.	Date
6214	June 2021
Drawing No.	Revision
6214-PD-13	
Scale	Drawn
1:100 @A1	HG
	Check
	PH

London House, 77 High Street,
Sevenoaks, Kent, TN13 1LD
phone: 01732 452111
fax: 01732 459829
info@offsetarchitects.co.uk
www.offsetarchitects.co.uk

