

BASEMENT FLOOR PLAN GROUND FLOOR PLAN FIRST FLOOR PLAN ROOF PLAN



FRONT ELEVATION REAR ELEVATION SECTION A - A

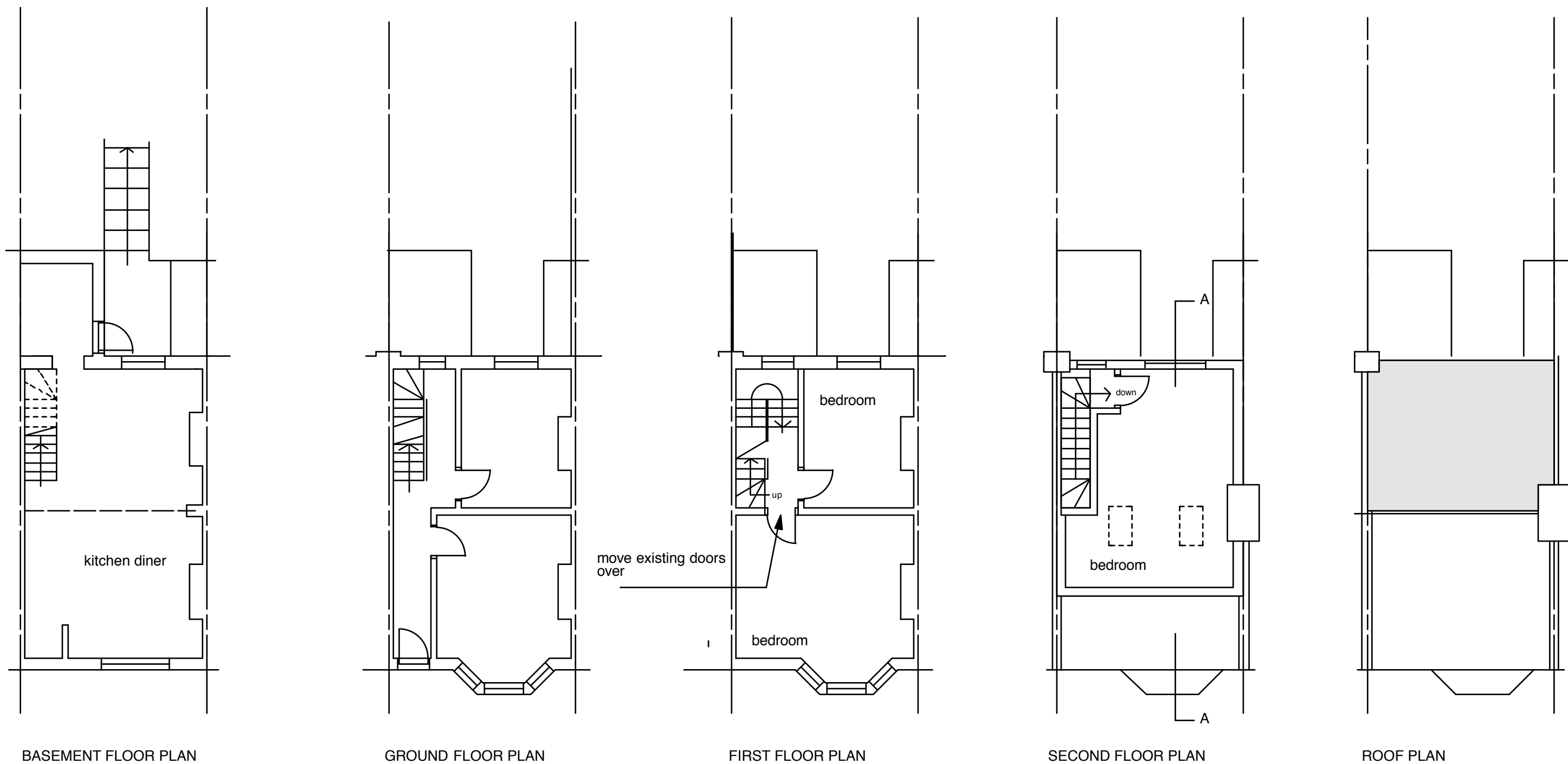


SITE PLAN scale 1:1250
0 20 40 60 80 100 120M
A1 Drawing

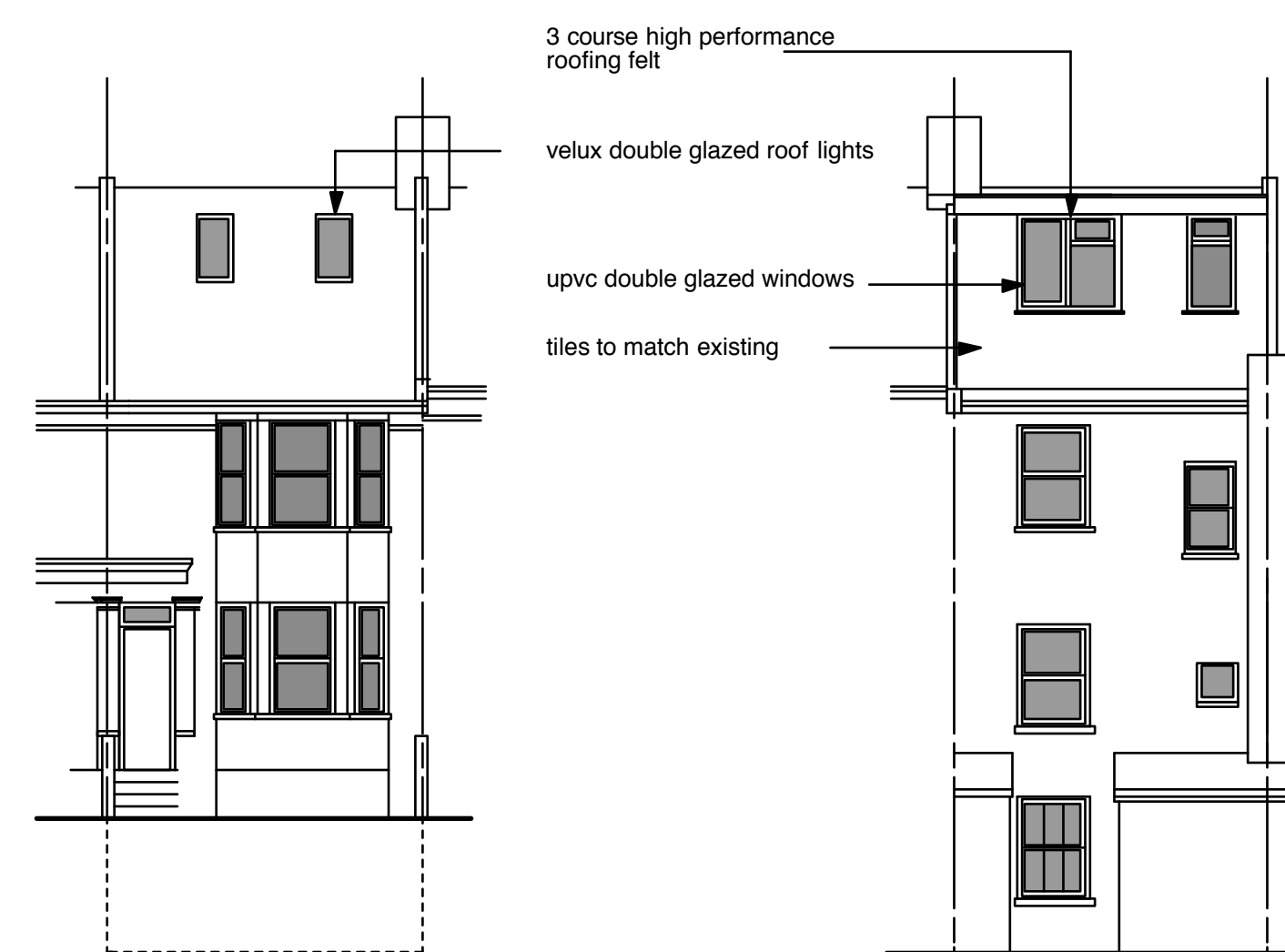


BLOCK PLAN scale 1:500
0 5 10 15 20 25M
A1 Drawing

EXISTING
PROPOSED



BASEMENT FLOOR PLAN GROUND FLOOR PLAN FIRST FLOOR PLAN SECOND FLOOR PLAN ROOF PLAN



FRONT ELEVATION REAR ELEVATION DORMER
4.5 X 2.8 X 3.8/2 = 24cum

3 course high performance roofing felt
velux double glazed roof lights
upvc double glazed windows
tiles to match existing

0 1 2 3 4 5 6 7 8 9 10M
SCALE BAR
A1 DRAWING SIZE

Do not scale from these drawings. The contractor is to check all dimensions, levels and conditions on site and advise of any discrepancies prior to the commencement of any work on site. All work is to be carried out in strict accordance with the relevant, current British Standards and codes of practice. Materials and components are to be fixed in strict accordance with the manufacturers instructions and recommendations and relevant body. This drawing is for planning/building control purposes only. All relevant clauses of the National Building Specification to apply to all works. **Data Protection Act** - no project drawings or client details will be issued by us to anyone other than the client, unless given written instruction by the client for distribution. **Party Wall Details** - to be dealt with by a Part Wall Surveyor to be appointed by Client. **Contractor** to comply with all Health and Safety Issues and to employ competent personnel. **Client** to employ a Principal Designer in accordance with the latest CDM regulations and to ensure all permissions are in place prior to commencement of the works

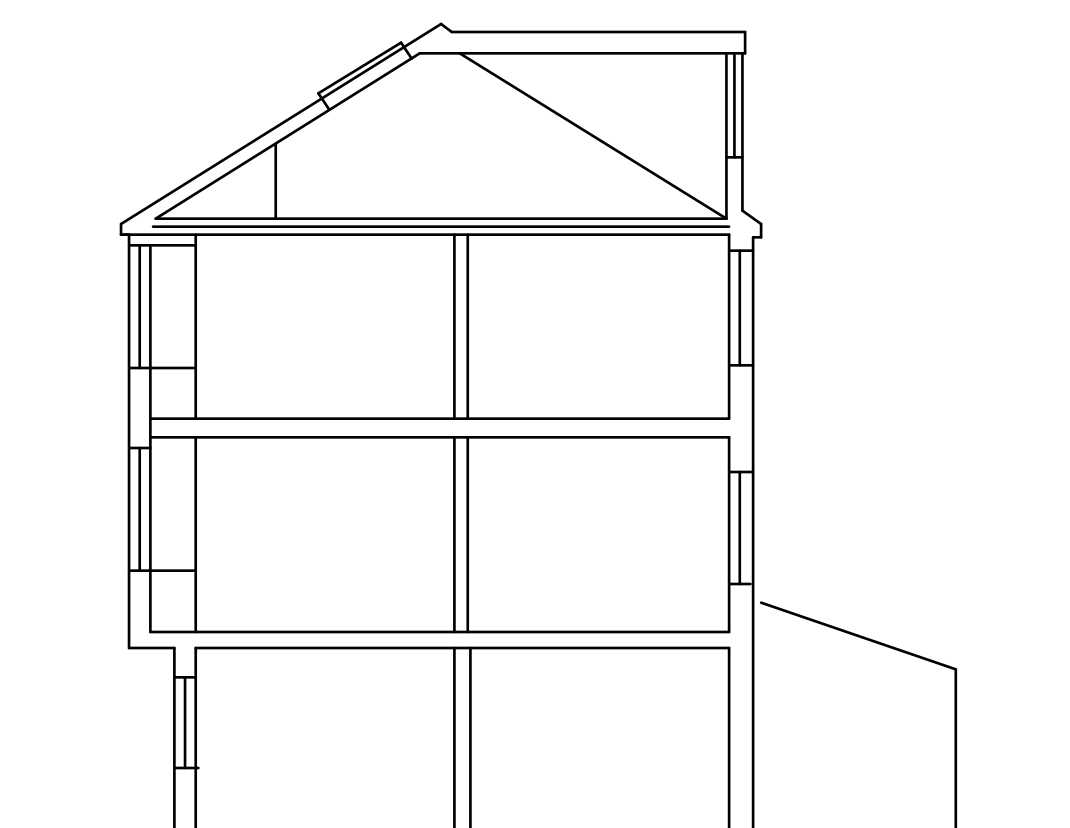
AMENDMENTS
A Oct 2021 Block plan amended
B Oct 2021 Additional amendments
C Oct 2021 Elevations amended

21 LIVINGSTON ROAD HOVE - Room in a Roof Cert of Lawfulness

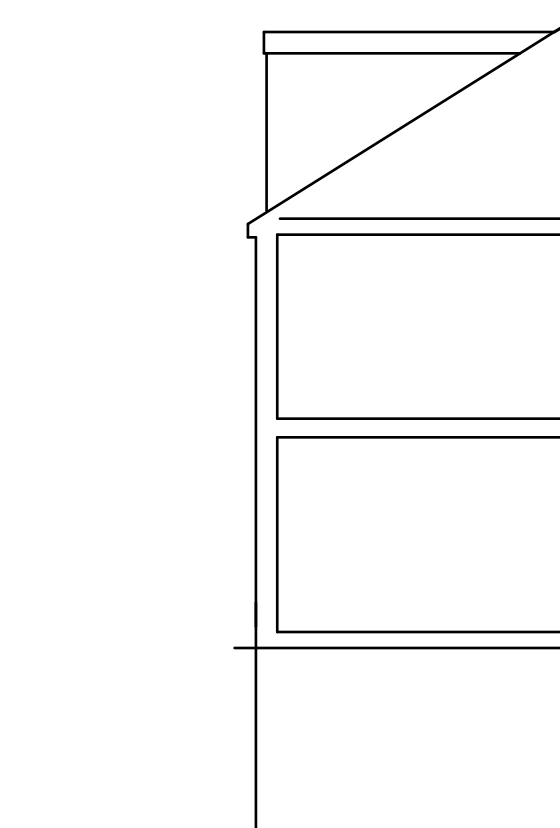
Client	Description
P WEBB	Existing and Proposed drawings



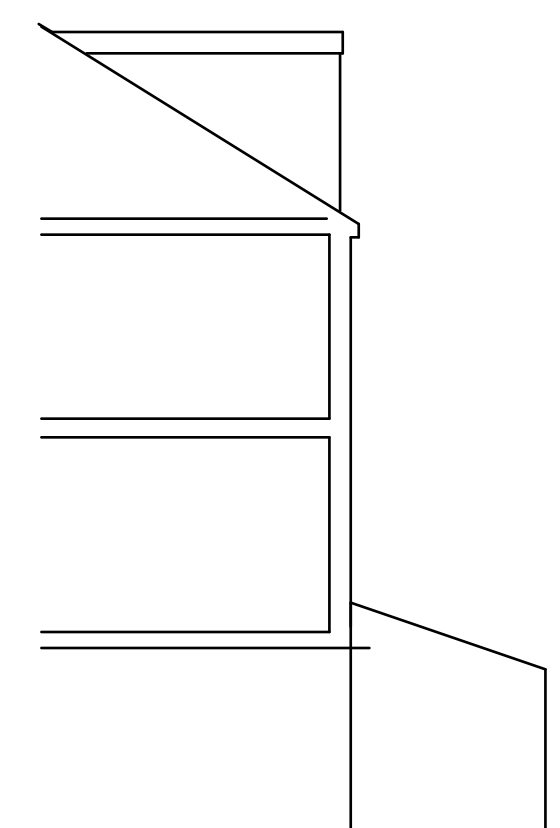
Date	Scale	Job No.	Drawing No.	Revision
Sept 2021	1:1250, 500, 100	2129	01	C



SECTION A - A



PART SIDE ELEVATION



PART SIDE ELEVATION