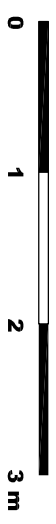
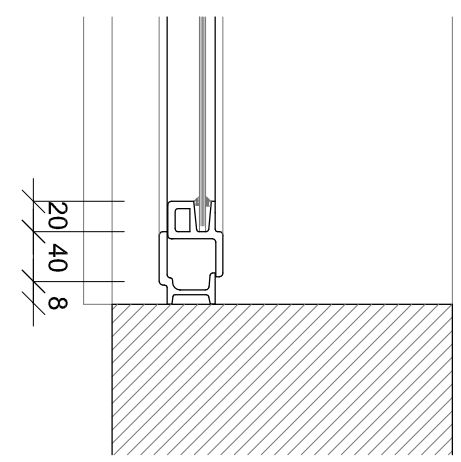
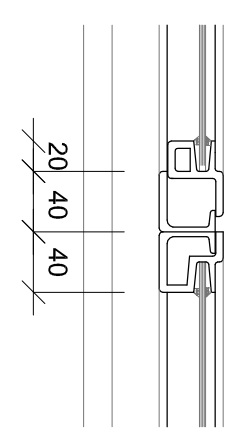
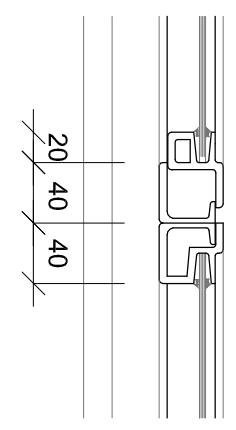
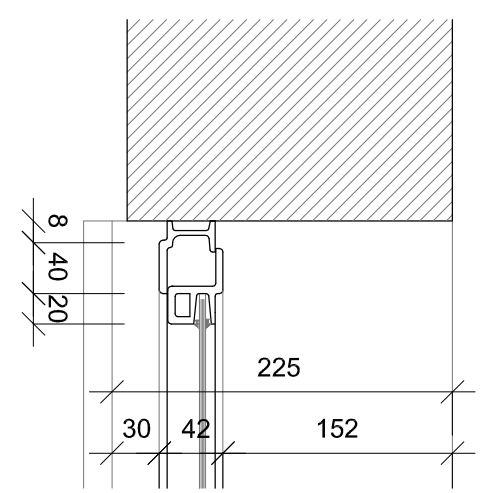


EXISTING STEEL TRANSOM WITH BRONZE POWDER COATED FINISH

TYPICAL EXISTING STEEL FRAMED SINGLE GLAZED BRONZE POWDER COATED PIVOT WINDOW TO BE REMOVED



Revision Date Notes Inspected By

G e o f f B r o w n S t u d i o

Unit 45 St Giles Court Lower Road London SE18 2JG
 info@geoffbrownstudio.co.uk telephone 0207 403 7007

Client
 Berkeley Square Holdings Limited

Project
 Gym Demise Enabling Works,
 Berkeley Square House, W1

Drawing
**Existing Windows to be removed -
 Typical Elevation and Plan Detail**

Status
 Existing

Drawing No
BSHGE_P_E021

Drawn
 AL

Checked
 GB

Date
 08.11.21

Scale
 1:20/1:5

Size
 A3

Revision No

© 2019 Geoff Brown Studio Ltd