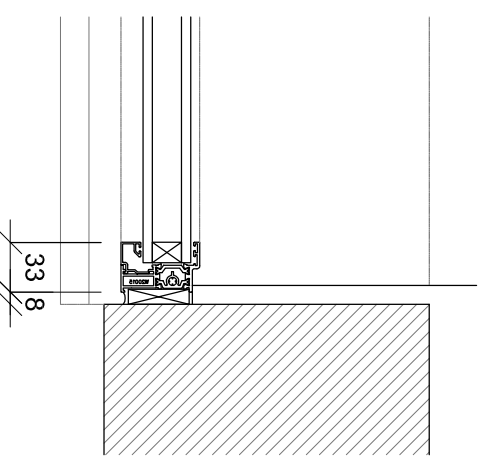
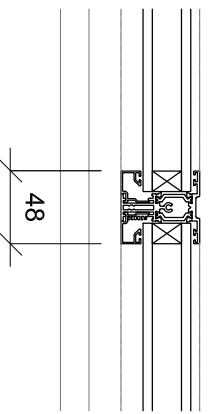
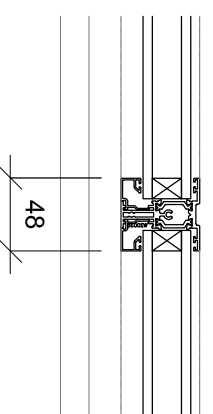
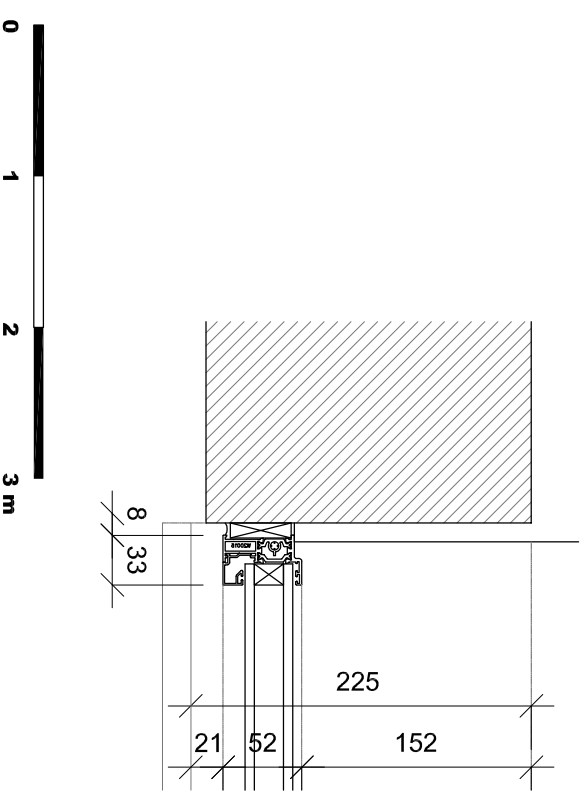


NEW REPLACEMENT WINDOWS
AS SUBJECT OF THIS APPLICATION.

NEW WINDOWS TO HAVE DOUBLE GLAZING AND SLIMMER ALUMINIUM FRAMES
TO MATCH SIGHTLINES OF EXISTING STEEL WINDOWS TO BE REMOVED.
NEW WINDOWS TO HAVE BRONZE POWDER COATED FRAMES AND CLEAR
GLAZING TO MATCH EXISTING WINDOWS TO BERKELEY SQUARE HOUSE.



Revision Date Notes Inspected By

G e o f f B r o w n S t u d i o

Unit 45 St Giles Court Lower Road London SE18 2JG
info@geoffbrownstudio.co.uk telephone 0207 403 7007

Client
Berkeley Square Holdings Limited

Project
Gym Demise Enabling Works,
Berkeley Square House, W1

Drawing
**Proposed Windows - Typical Elevation
and Plan Detail**

Status
Existing

Drawing No
BSHGE_P_E121 Revision No

Drawn
AL

Checked
GB

Date
08.11.21

Scale
1:20

Size
A3

© 2013 Geoff Brown Studio Ltd

