

SPECIFICATIONS

Manufacturer:
Rolec

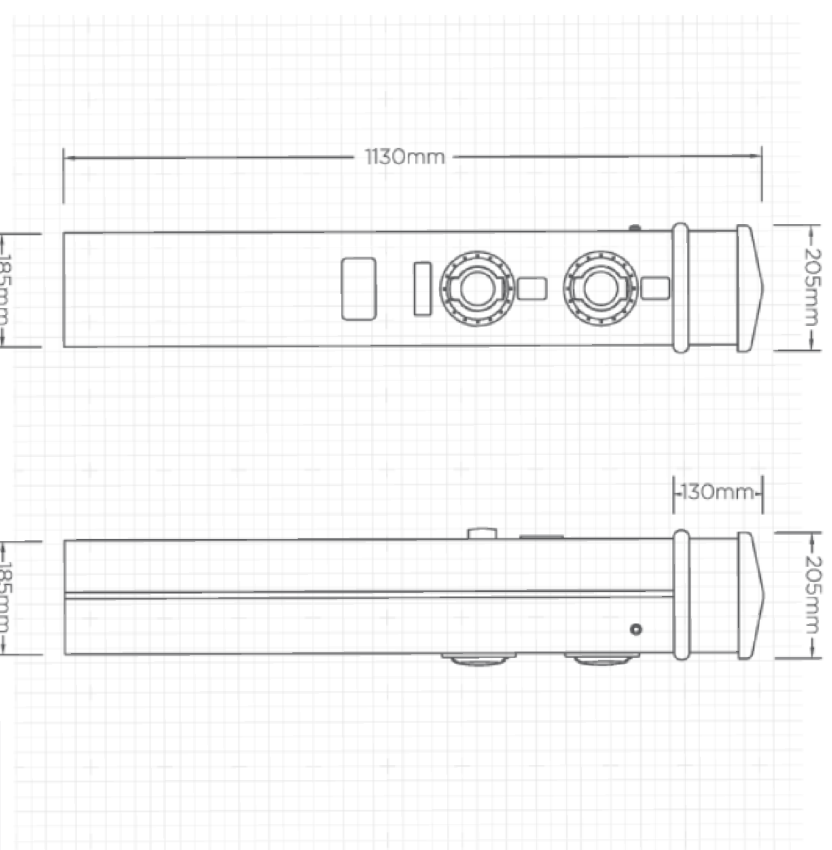
Model:
Rolec EVCL2018

Material:
High impact resistant aluminium composite outer shell

Internal chassis:
heavy duty, hot dipped galvanised steel

Dimensions
205mm (W)
1130mm (H)
205mm (D)

Input Voltage
400V AC/50Hz (3 phase) Supply already existing



General Notes		Revision					Project		Status	
Copyright READ MAURICE RESIDENTIAL LIMITED This drawing is not to be reproduced, copied or given to a third party without express permission. Do not scale drawings. Dimensions govern. All dimensions shall be verified on site before proceeding with the work. All dimensions given in millimetres unless stated otherwise. All drawings to be read in conjunction with other consultants drawings and specifications.		Specific Notes					Project Electric Vehicle Charger Installation Maple House, Bayshill Road, Cheltenham		Status PLANNING & LISTED BUILDING CONSENT RMPM:22011	
		Revision	Date	Drawn	Checked	Details of revision		Drawing Title Lorem ipsum		
								Date Scale		
								Drawn By JQM Checked By		
								Read Maurice 48 Andover Road Cheltenham, Gloucestershire, GL50 2TL 01242 241122 post@readmaurice.co.uk		