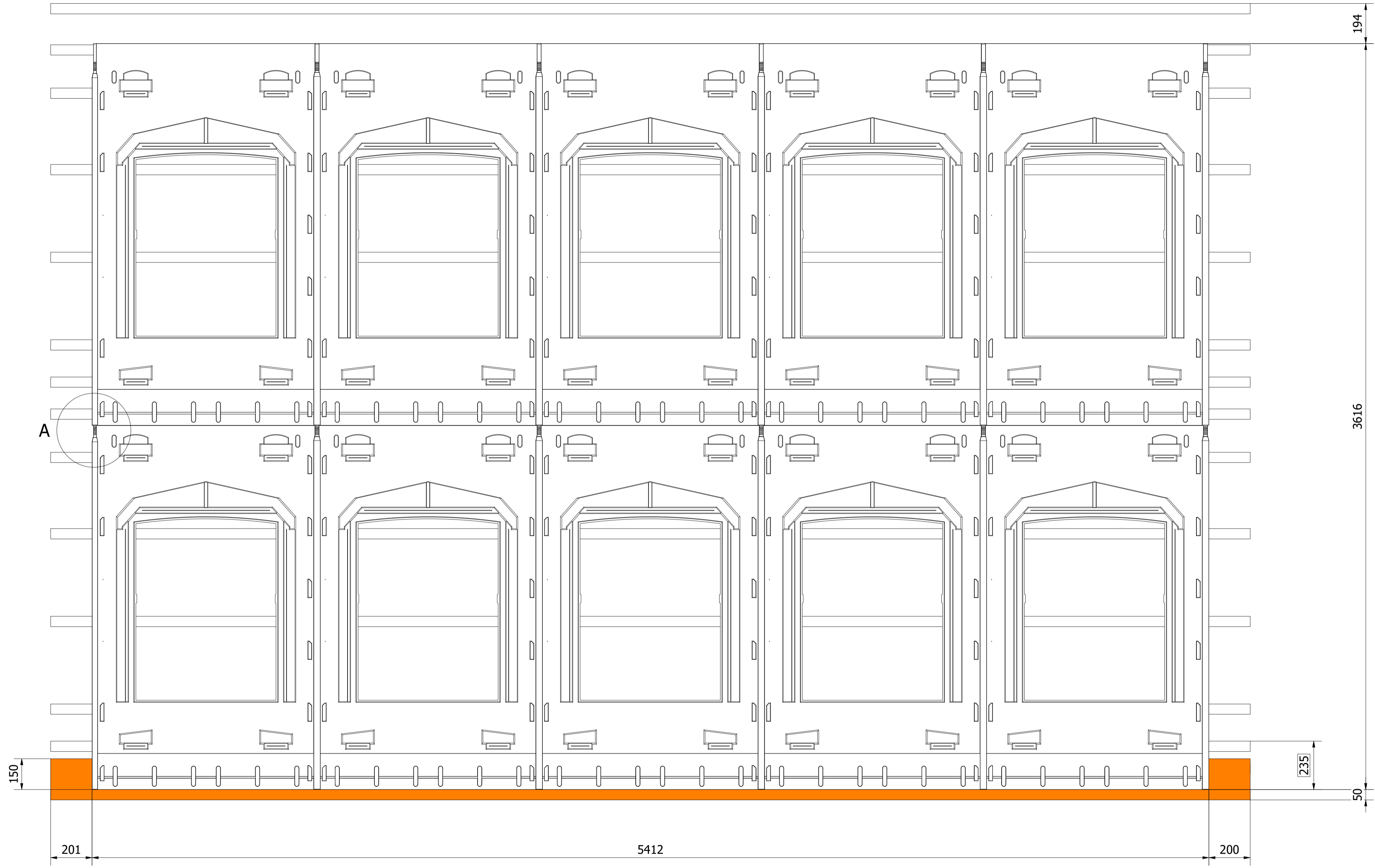
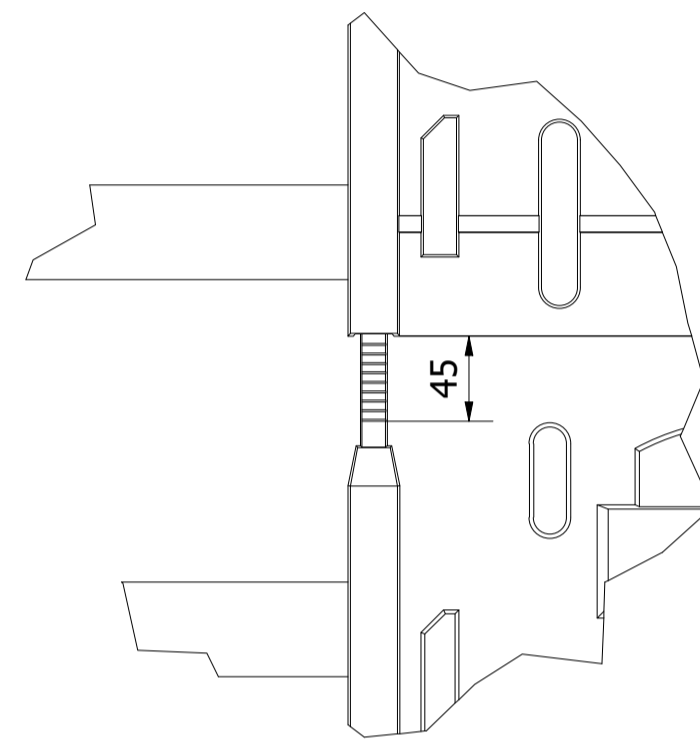


6 5 4 3 2 1

D

D

A (1:4)



C

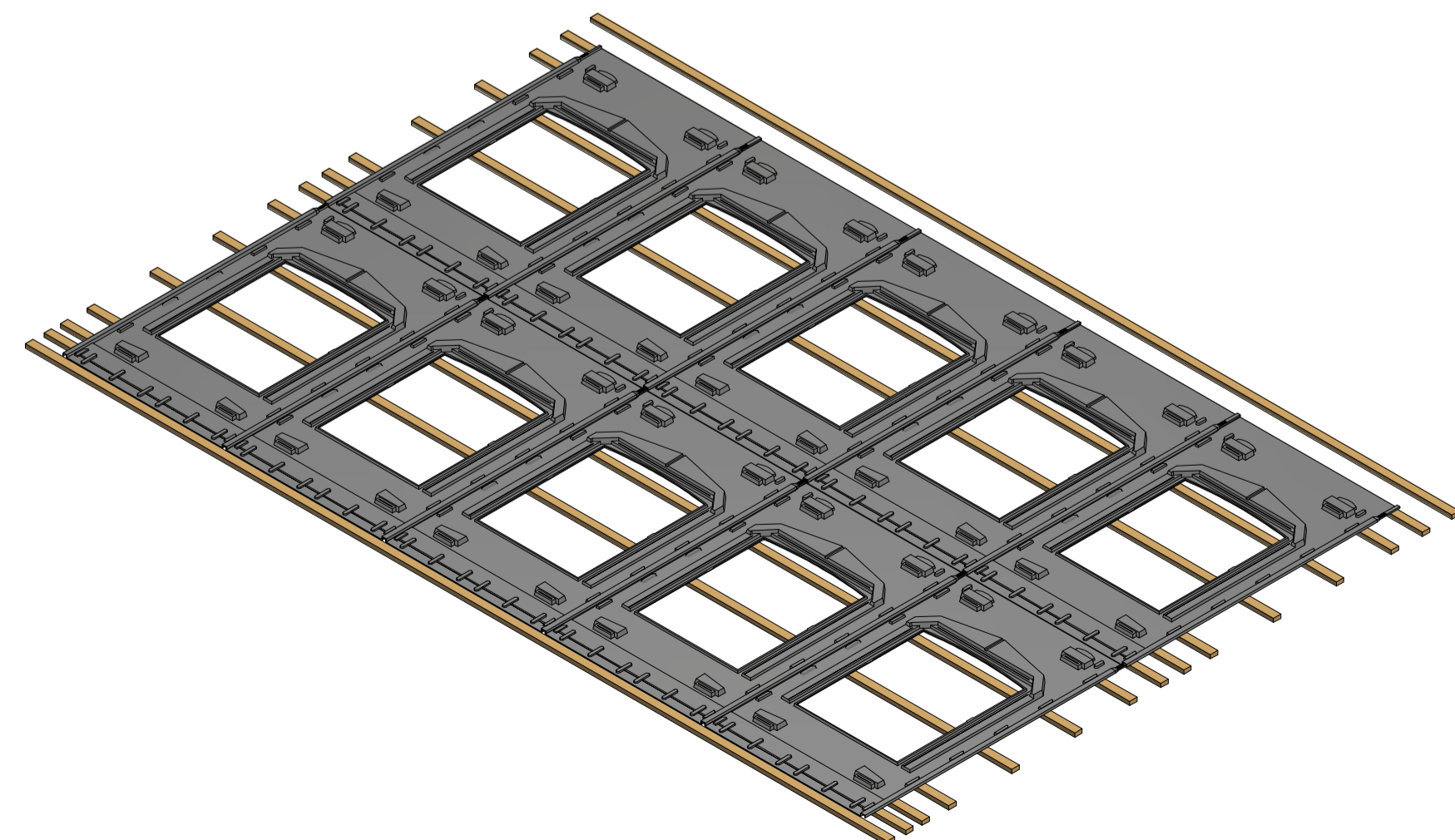
C

B

B

A

A



6 5 4 3 2 1

Scale : 1:12	Format : A1	Units : mm	Project location :	Peak power :
Conceived by J. PIROTH	Checked by	Approved by	Date	Date 22/02/2022
GSE Intégration <small>155-159 rue du docteur Bauer 93400 Saint Ouen tel: +33(0)1.70.32.08.00 mail: contact@gseintegration.com</small>			Layout Powerhug 2x5 Portrait 1710_1040 CAL-POW-2x5 Po_1040	
			Modification A	Sheet 2 / 3