

This drawing is COPYRIGHT. It must not be reproduced or disclosed to third parties without our prior permission. Do not scale from this drawing, or, interrogate and use electronic information.

Any discrepancies should be reported immediately.

Any surveyed information incorporated within this drawing cannot be guaranteed as accurate unless confirmed by a fixed dimension. All dimensions are in millimetres unless noted otherwise.



Existing Gutter to be Replaced with White uPVC

Existing Decorative Fascia to be Retained and New White uPVC to Match to be Installed Over

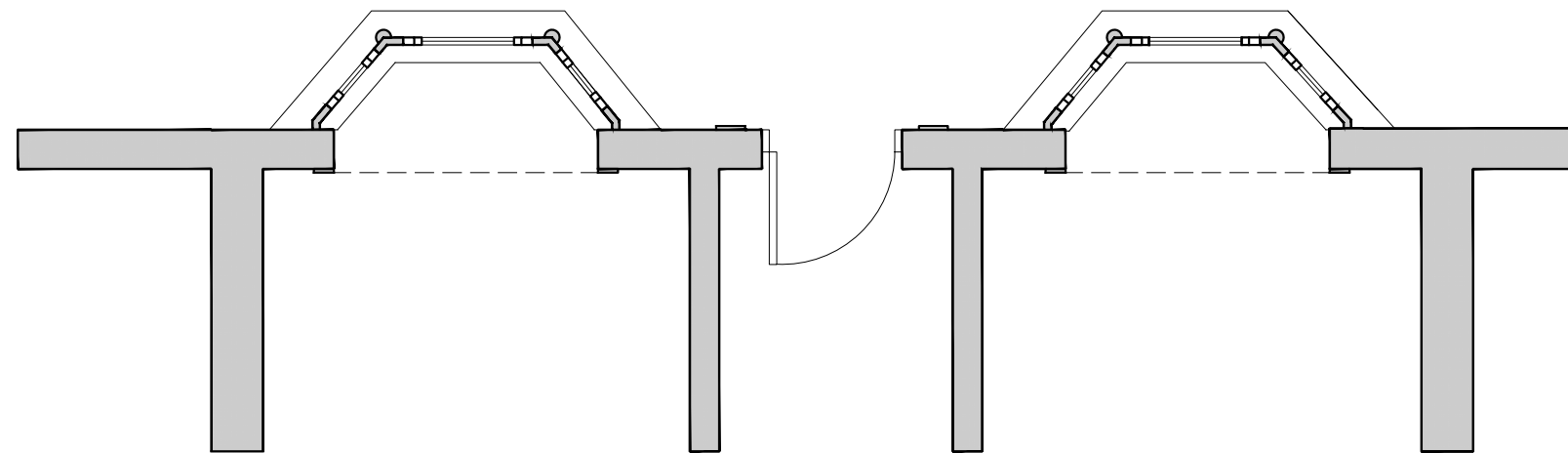
Existing Windows to be Replaced with New Sash, White Wood Grain Effect, A Rated uPVC Windows to Match Existing

Existing Timber to be Replaced with Wood Grain Effect uPVC to Match Existing

Proposed Front Elevation

Existing Timber Sills to be Replaced with New Timber Painted Black to Match Existing

Decorative Corner Posts to be Replaced with New Timber to Match Existing Profiles. Painted Black to Match Existing



Proposed Ground Floor Plan



Head Office
29 Broad Street
Newtown
Powys
SY16 2BQ
t - 01686 610311
w - www.hughesarchitects.co.uk

Project Replacement Windows at Bodlondeb, Back Lane, Newtown, SY16 2NH			
Drawing Status Stage 3a: Planning		Drawing Title Proposed Drawings	
Scale 1:50@A3	Date 12.08.22	Drawing No X064.3a.3.200	Rev
Drawn by LW	Checked RL		