

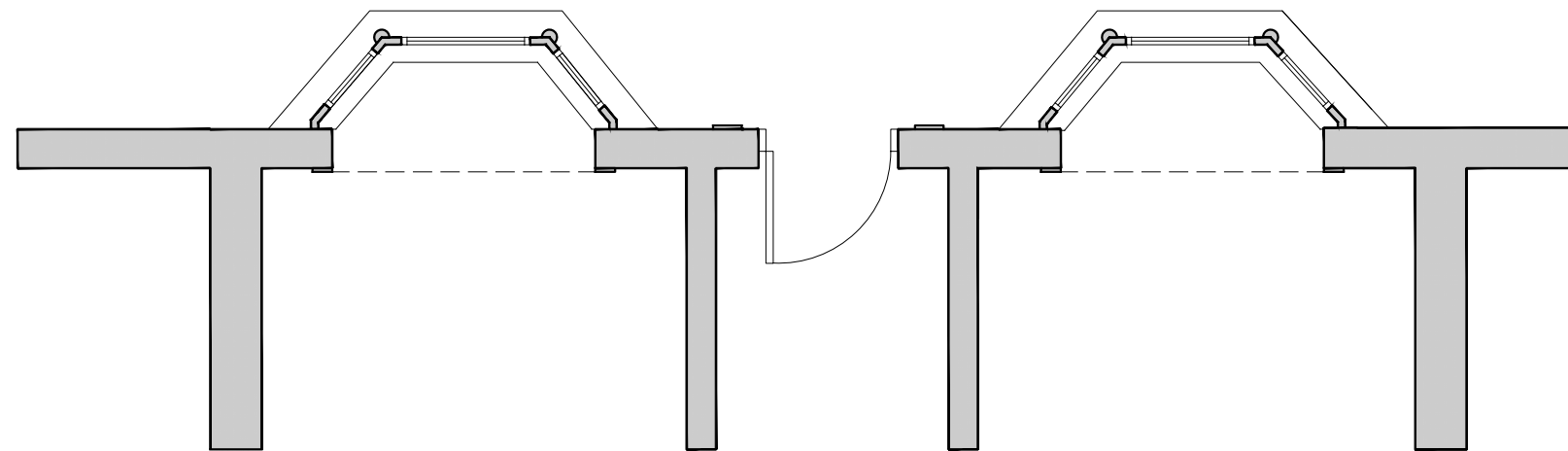
This drawing is COPYRIGHT. It must not be reproduced or disclosed to third parties without our prior permission. Do not scale from this drawing, or, interrogate and use electronic information.

Any discrepancies should be reported immediately.

Any surveyed information incorporated within this drawing cannot be guaranteed as accurate unless confirmed by a fixed dimension. All dimensions are in millimetres unless noted otherwise.



Front Elevation



Ground Floor Plan



Head Office
29 Broad Street
Newtown
Powys
SY16 2BQ
t - 01686 610311
w - www.hughesarchitects.co.uk

Project Replacement Windows at Bodlondeb, Back Lane, Newtown, SY16 2NH			
Drawing Status Stage 3a: Planning		Drawing Title Existing Drawings	
Scale 1:50@A3	Date 09.08.22	Drawing No X064.3a.3.100	Rev
Drawn by LW	Checked RL		