

Notes:-
All materials to match existing property where reasonably possible.

Important Note
This drawing has been prepared to illustrate the general scheme for this conversion, and should thus provide sufficient information to satisfy the local authority on matters of Planning and Building Regulations approvals. It should not be construed to be a definitive design drawing. The contractor is to satisfy himself on all aspects of the work prior to starting on site, and is to ensure that unforeseen works etc., are properly dealt with and that all construction is carried out in accordance with relevant British Standards and good building practice.
Any variation to this scheme should be notified in writing to CJS Design Services, and written acceptance obtained prior to continuation - unless approval has been given by an approved Building Control Officer.
The drawing is to scale, but all dimensions etc. are to be checked on site prior to commencement.

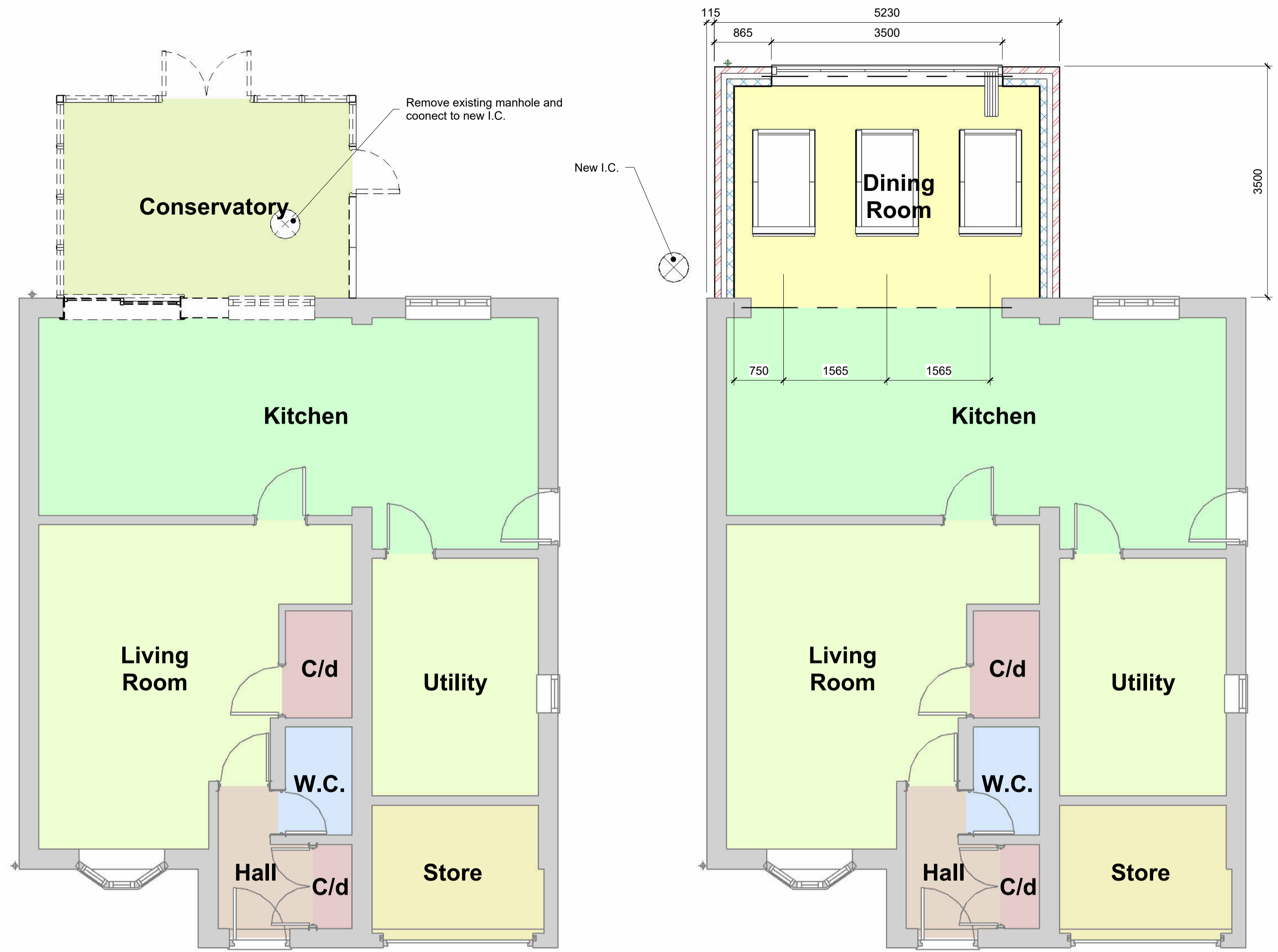


Rev	Description	Date
A	Original	27/07/23
B	Rear extension width reduced	06/10/23

CLIENT
Mr & Mrs A Elliott
Address
15 Helen Thompson Close
Iwade
SITTINGBOURNE
ME9 8DW

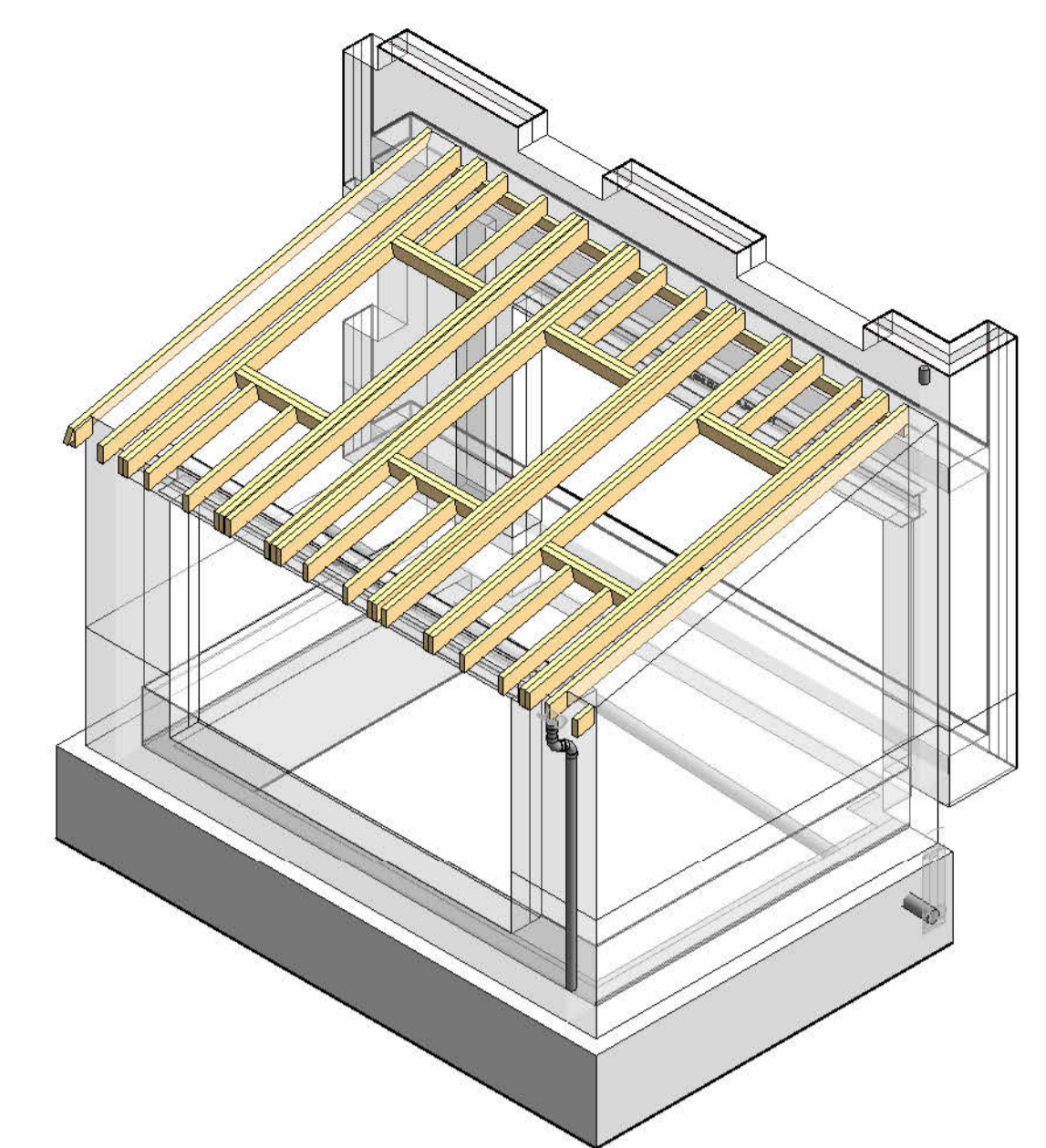
SHEET TITLE
Ground & Site Plans Joist, Drainage & 3D Views
PROJECT TITLE
Single Storey Rear Extension with Rooflights

SCALE (@ A1) As indicated	DATE July 2023	DRAWN BY CJS
DRAWING NUMBER ELL-0723-01	SHEET No. 1 of 2	REV B

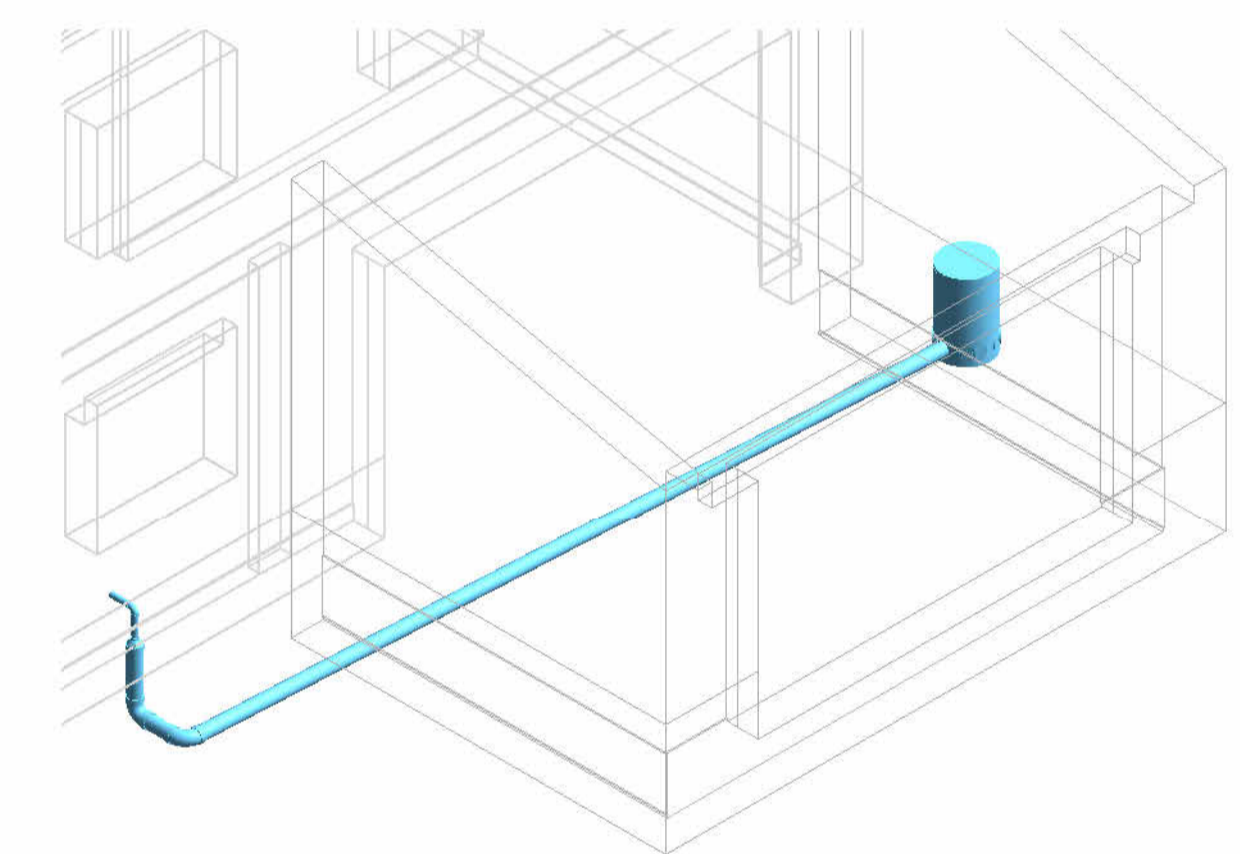


Existing Ground Floor
1 : 50

Proposed Ground Floor
1 : 50



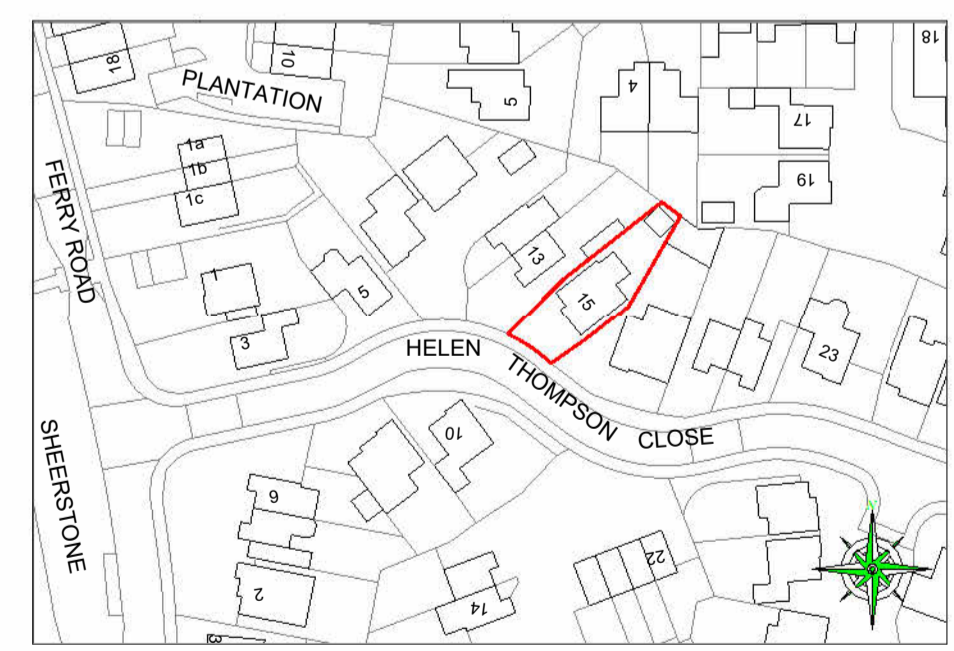
Representation of Loft Joist Layout



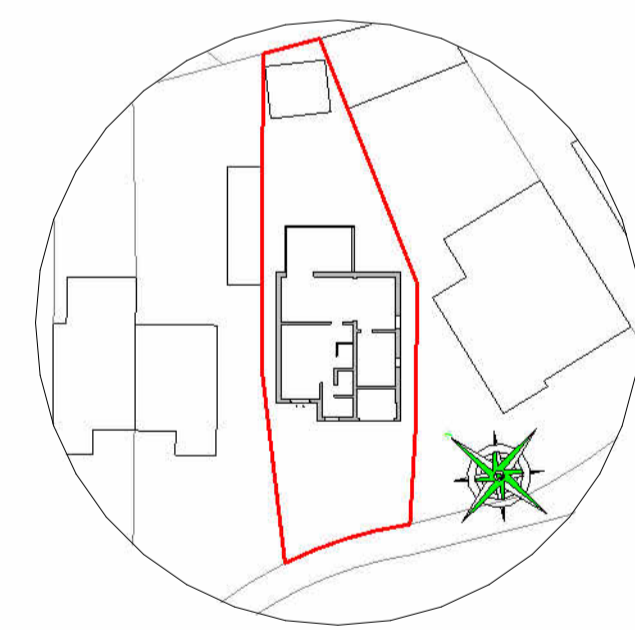
Above and Below Ground Waste



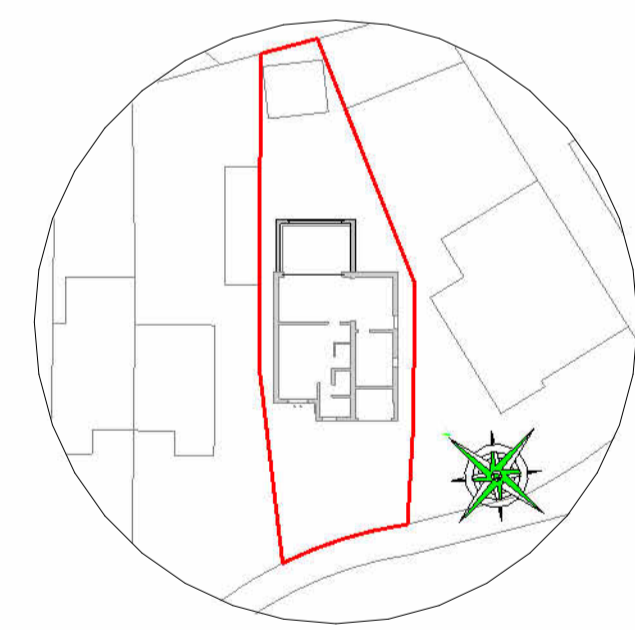
Proposed 3D View From Rear



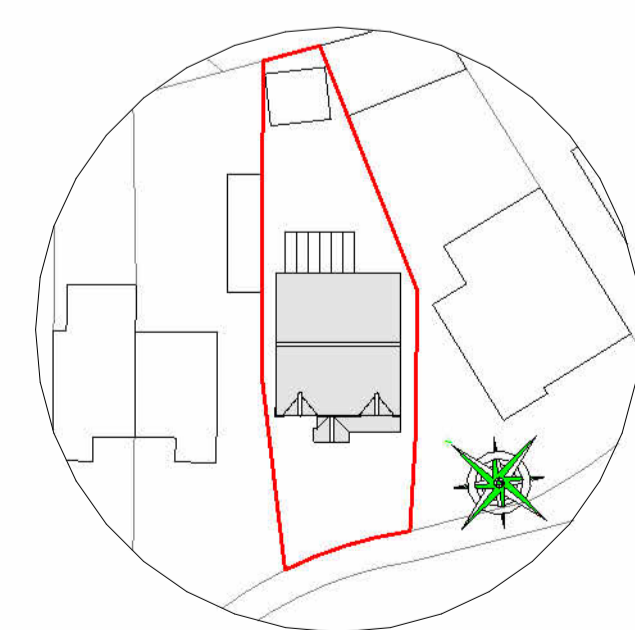
Site Plan
1 : 1250



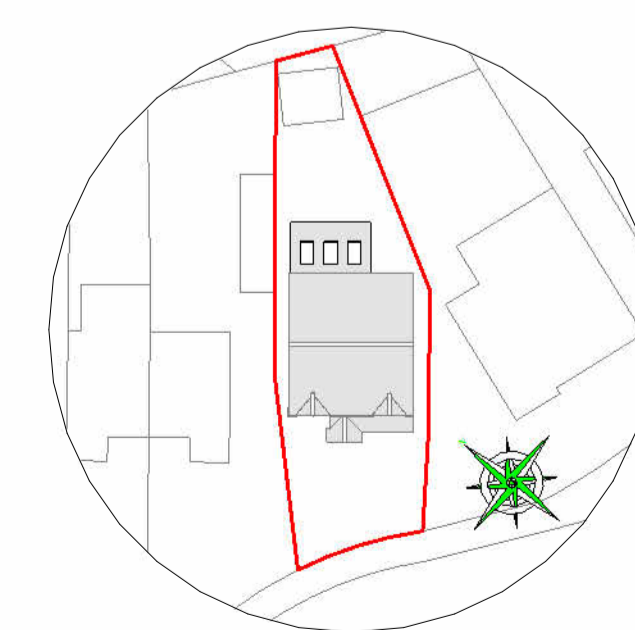
Existing Block Plan
1 : 500



Proposed Block Plan
1 : 500



Existing Roof Plan
1 : 500



Proposed Roof Plan
1 : 500

