

**Disclaimer**  
 This drawing is to be read in conjunction with all other relevant drawings and specifications. Do not scale off this drawing. Use figured dimensions only. All levels and dimensions to be checked on site. All levels and dimensional discrepancies are to be brought to the attention of the Engineer for alteration and/or deviation from this design without prior acknowledgment of Robert West. This drawing may only be used for the client and location specified in the title block. It may not be copied or disclosed to any other third party without the prior written consent of Robert West. The Engineer is to be contacted regarding the current status, revision or approval of this drawing. The satisfaction of the PREMIER/NHBC or Local Authority not withstanding anything shown or indicated on these drawings. All workmanship and materials to be the best of their respective kind and at least equivalent of the appropriate British Standard Code of Practice. All relevant dimensions and levels to be checked and verified on site. The Engineer is to be contacted regarding the current status, revision or approval of this drawing. The satisfaction of the PREMIER/NHBC or Local Authority not withstanding anything shown or indicated on these drawings. All workmanship and materials to be the best of their respective kind and at least equivalent of the appropriate British Standard Code of Practice. All relevant dimensions and levels to be checked and verified on site. The Engineer is to be contacted regarding the current status, revision or approval of this drawing. The satisfaction of the PREMIER/NHBC or Local Authority not withstanding anything shown or indicated on these drawings. All workmanship and materials to be the best of their respective kind and at least equivalent of the appropriate British Standard Code of Practice. All relevant dimensions and levels to be checked and verified on site. The Engineer is to be contacted regarding the current status, revision or approval of this drawing. The satisfaction of the PREMIER/NHBC or Local Authority not withstanding anything shown or indicated on these drawings. All workmanship and materials to be the best of their respective kind and at least equivalent of the appropriate British Standard Code of Practice. All relevant dimensions and levels to be checked and verified on site. The Engineer is to be contacted regarding the current status, revision or approval of this drawing. The satisfaction of the PREMIER/NHBC or Local Authority not withstanding anything shown or indicated on these drawings. All workmanship and materials to be the best of their respective kind and at least equivalent of the appropriate British Standard Code of Practice. All relevant dimensions and levels to be checked and verified on site. The Engineer is to be contacted regarding the current status, revision or approval of this drawing. The satisfaction of the PREMIER/NHBC or Local Authority not withstanding anything shown or indicated on these drawings. All workmanship and materials to be the best of their respective kind and at least equivalent of the appropriate British Standard Code of Practice. All relevant dimensions and levels to be checked and verified on site. The Engineer is to be contacted regarding the current status, revision or approval of this drawing. The satisfaction of the PREMIER/NHBC or Local Authority not withstanding anything shown or indicated on these drawings. All workmanship and materials to be the best of their respective kind and at least equivalent of the appropriate British Standard Code of Practice. All relevant dimensions and levels to be checked and verified on site. The Engineer is to be contacted regarding the current status, revision or approval of this drawing. The satisfaction of the PREMIER/NHBC or Local Authority not withstanding anything shown or indicated on these drawings. All workmanship and materials to be the best of their respective kind and at least equivalent of the appropriate British Standard Code of Practice. All relevant dimensions and levels to be checked and verified on site. The Engineer is to be contacted regarding the current status, revision or approval of this drawing. The satisfaction of the PREMIER/NHBC or Local Authority not withstanding anything shown or indicated on these drawings. All workmanship and materials to be the50mm thick to be brought up to dense smooth face neatly shaped and finished to all branch connections. To comply with clauses E4.3 and E6.5. Distance between top of pipe and underside of PC chamber to be min 50mm and max 300mm. 225mm to underside of channel. GEN 3 concrete base complying with E4.1 and BRE Special Digest 1.

- GENERAL NOTES:**
- All dimensions to be checked on site. All details and dimensions relating to sub-Contractors work must be checked and agreed between the sub-Contractor or supplier and the general Contractor.
  - This drawing is to be read in conjunction with all relevant Architect's and Engineer's drawings and specification.
  - The main Contractor is responsible for ensuring the stability of the structure whilst the works are in progress.
  - Any information given regarding existing underground services is given in good faith after consultation with the relevant authority. No liability is accepted by the Consultant and the main Contractor is responsible for obtaining and checking all information and taking due care and attention whilst undertaking the works.

- All areas of live traffic and pedestrian movements shall be subject to appropriate traffic management barriers and signs.
  - Access points onto live public highway.
  - Unauthorized access to the site must be prevented at all times.
  - Existing road drainage to be maintained.
  - Be aware of possible live drainage flows and foul effluent during construction. The Contractor shall assess and implement a safe working system and equipment (PPE) as necessary.
- The above residual risks are for non-standard hazards. It is assumed that a competent contractor familiar with the construction of this type of work will be appointed who will be aware of the standard hazards.

Rev.	Description	Date	By

Status: **PLANNING APPROVAL**



Drawing Title:  
**SITE WIDE  
 DRAINAGE CONSTRUCTION  
 DETAILS SHEET 1**

Scale @ A1: | 1:20  
 Date: | Jun 2023

Drg No. | Revision  
 CON608-3891 | P00

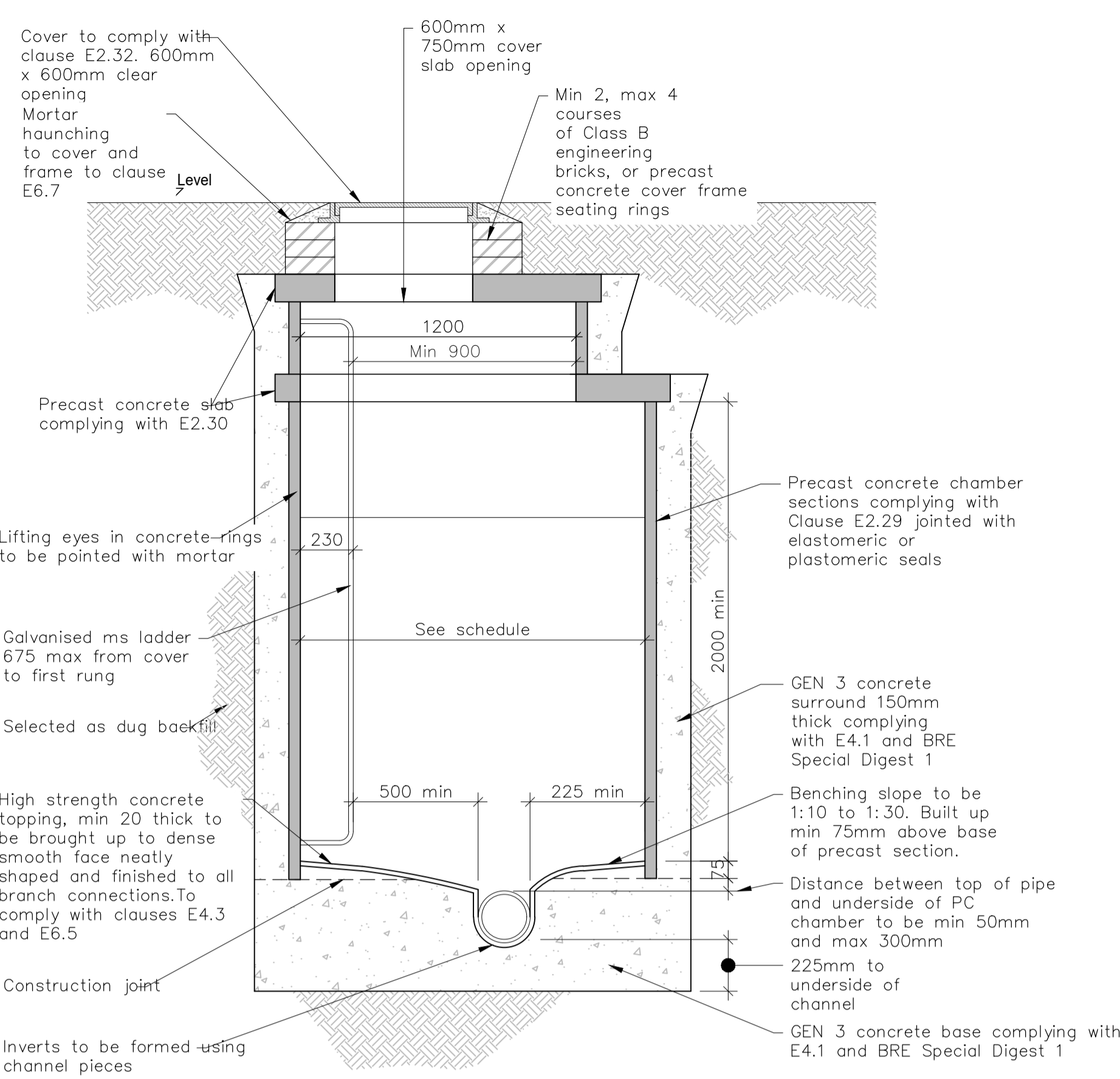


FIG B5 - TYPE A1 MANHOLE - SECTION

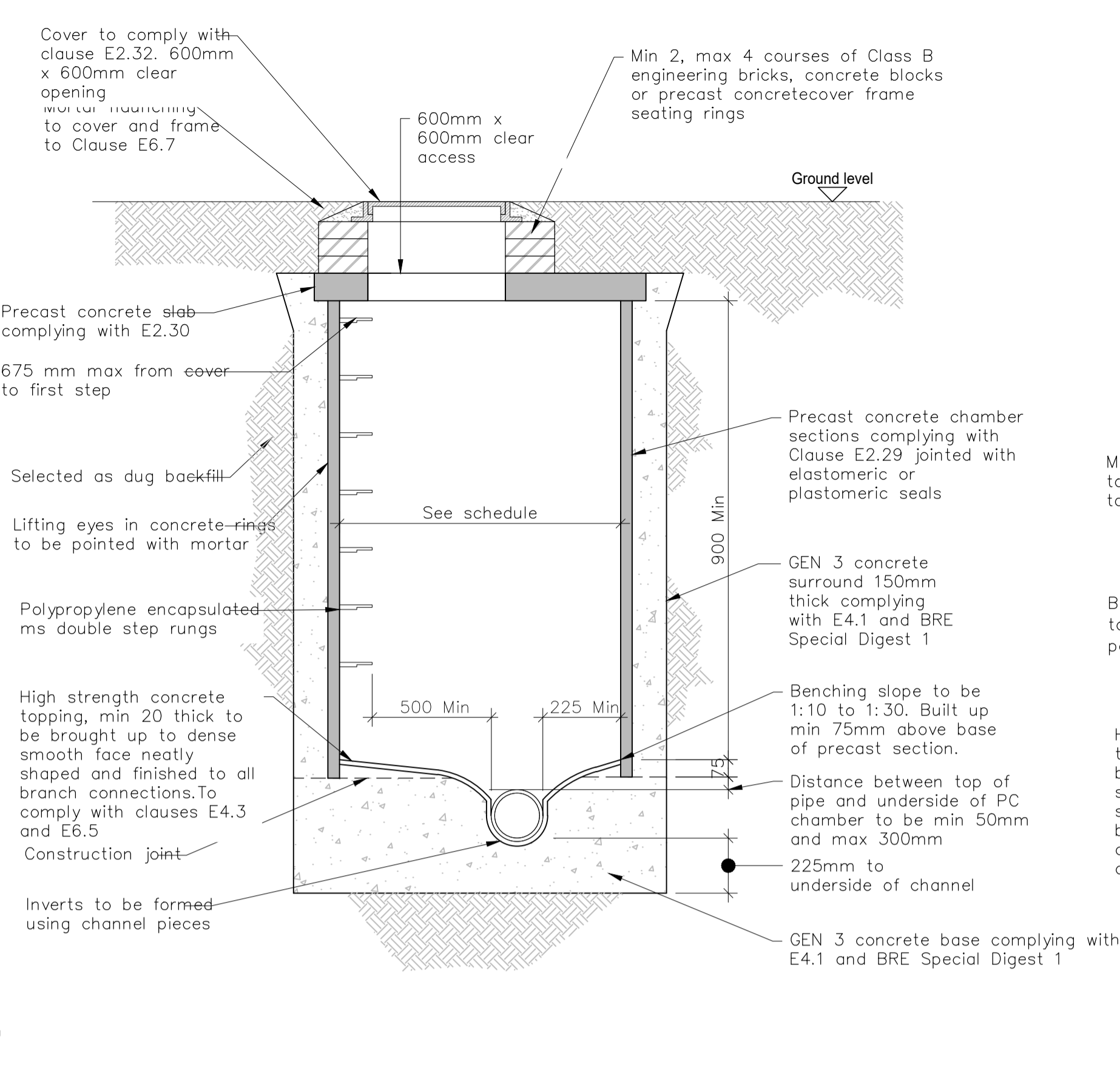


FIG B10 - TYPE B MANHOLE - SECTION

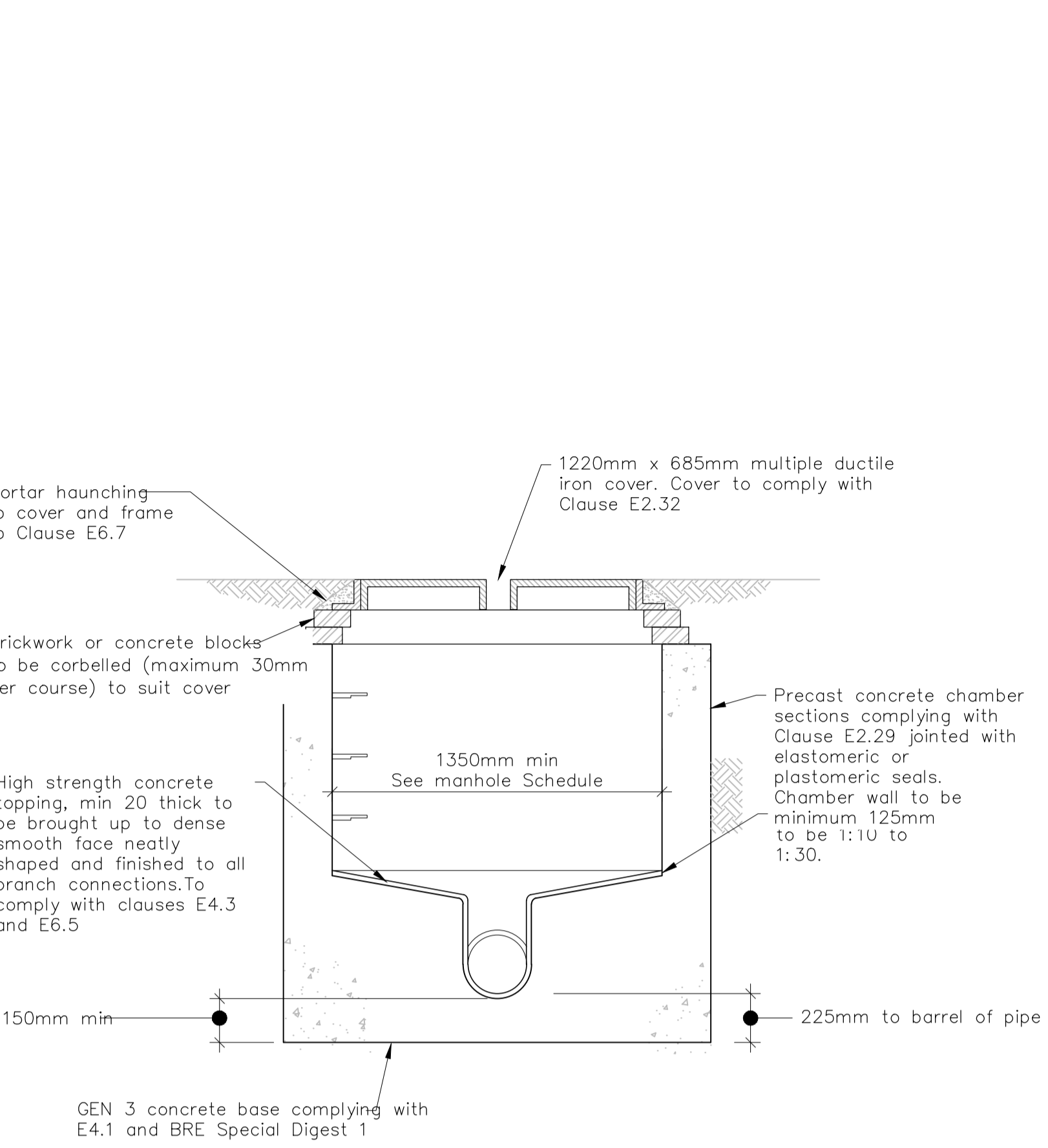


FIG B15 - TYPE C MANHOLE - SECTION

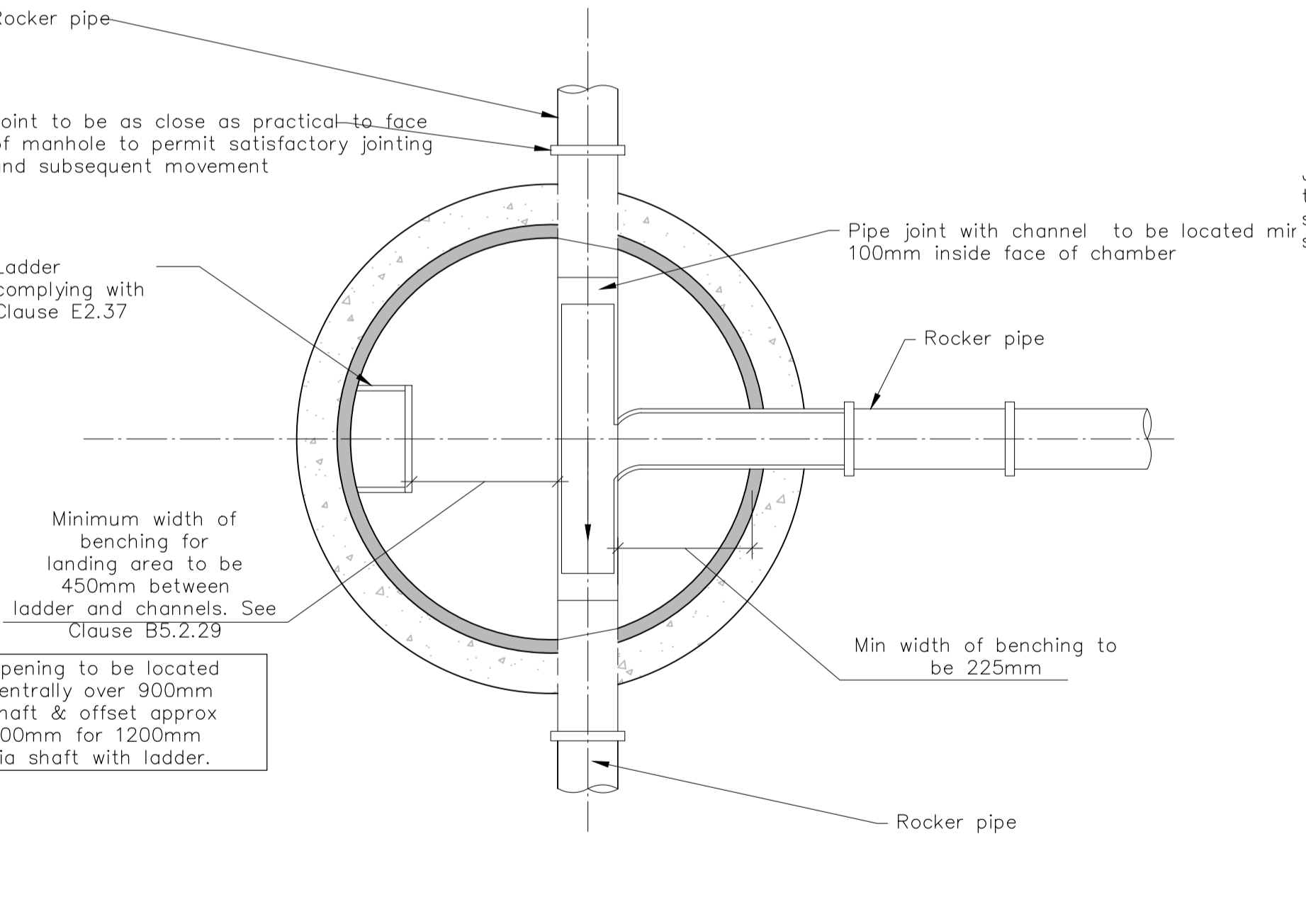
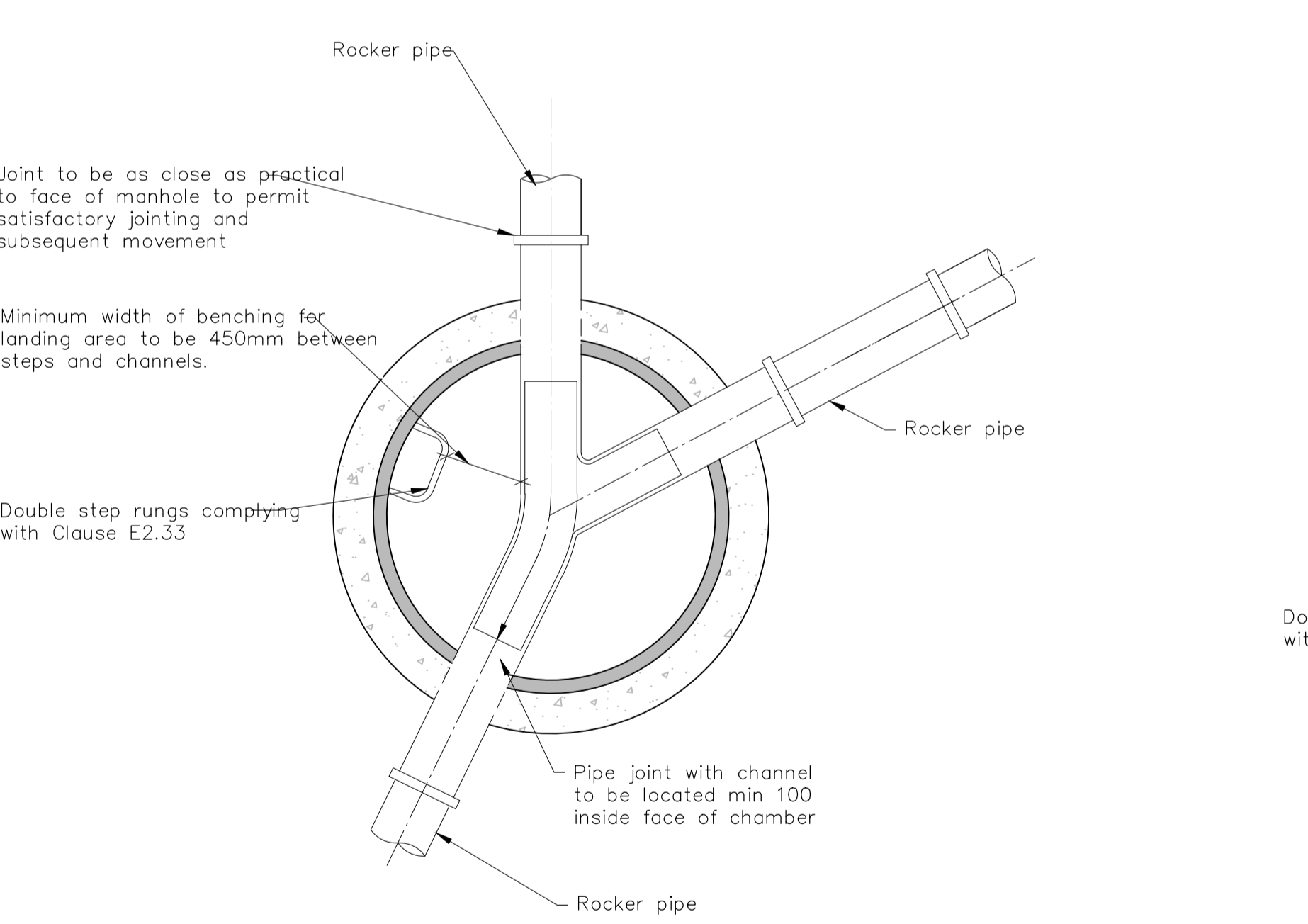


FIG B5 - TYPE A1 MANHOLE - PLAN

DEPTH TO SOFFIT: 3.0m to 6.0m  
 SEE SCHEDULE FOR DIMENSIONS AND GA FOR CONNECTIONS



SEE SCHEDULE FOR DIMENSIONS AND GA FOR CONNECTIONS

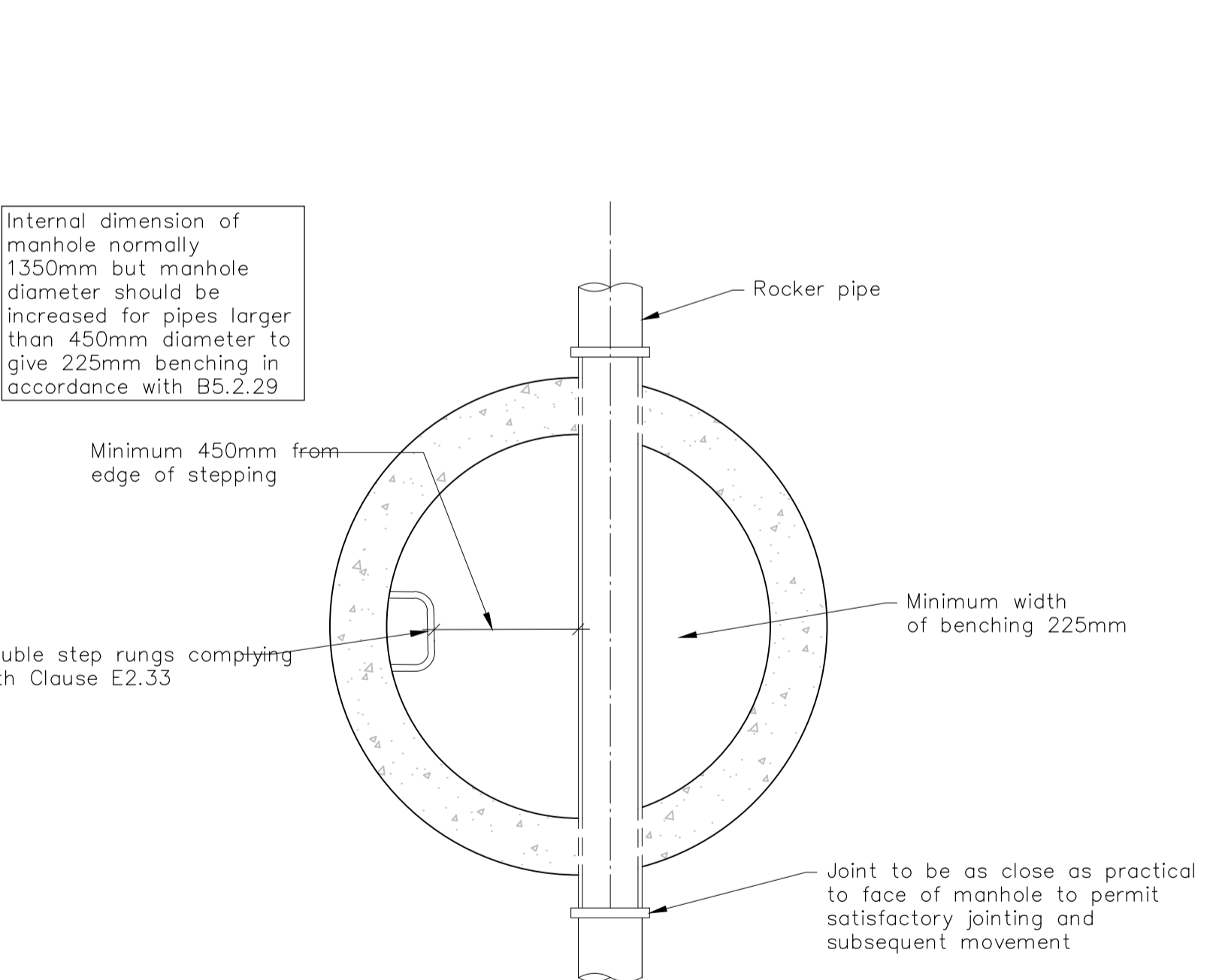


FIG B15 - TYPE C MANHOLE - PLAN

DEPTH TO SOFFIT: LESS THAN 1.5m  
 SEE SCHEDULE FOR DIMENSIONS AND GA FOR CONNECTIONS

This drawing must be read in conjunction with relevant Chartway specifications and standard details. This drawing is subject to copyright. Do not scale from this drawing.