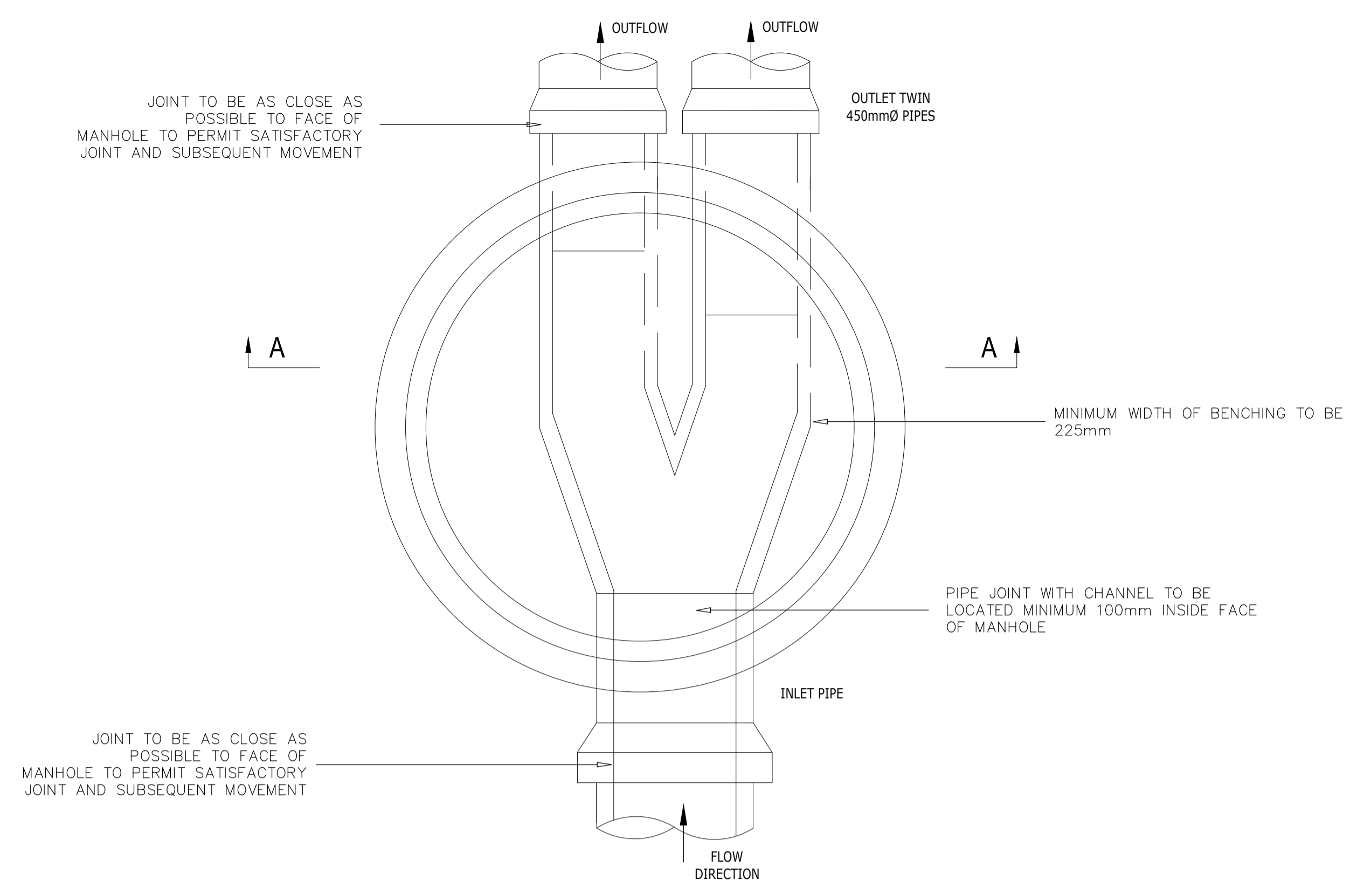
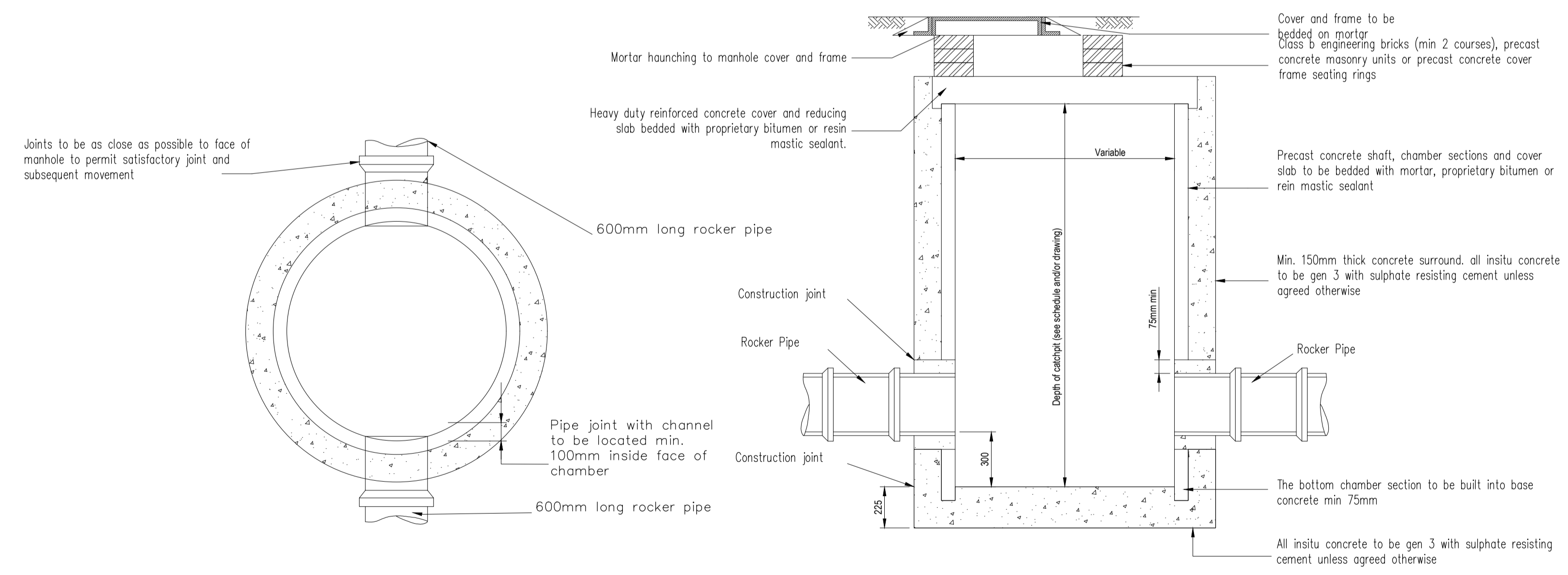


**SECTION A-A ON SURFACE WATER DRAINAGE MANHOLE REF: S79**  
SCALE 1:20

**BOX NOTE 1 – ALL DRAINAGE WORKS TO BE OFFERED FOR ADOPTION SHALL COMPLY WITH THE REQUIREMENTS OF "SEWERAGE SECTOR GUIDANCE APPENDIX C, JUNE 2022"**



**PLAN ON SURFACE WATER DRAINAGE MANHOLE REF: S79**  
SCALE 1:20



**TYPICAL CONCRETE CATCHPIT MANHOLE**  
SCALE 1:20

**Disclaimer**  
This drawing is to be read in conjunction with all other relevant drawings and specifications. Do not scale off this drawing. Use figured dimensions only. All levels and dimensions to be checked on site. All levels and dimensional discrepancies are to be brought to the attention of the Engineer for alteration and/or deviation from this design without prior acknowledgment of Robert West. This drawing may only be used for the client and location specified in the title block. It may not be copied or disclosed to any other third party without the prior written consent of Robert West. The Engineer is to be contacted regarding the current status, revision or regulatory approval of this drawing. The satisfaction of the PREMIER/NHBC or Local Authority not withstanding anything shown or indicated on these drawings. All workmanship and materials to be the best of their respective kind and at least equivalent of the appropriate British Standard Code of Practice. All relevant dimensions and levels to be checked and verified on site. The Engineer's design details. Do not scale off this drawing. Use figured dimensions only, all dimensional discrepancies to be brought to the immediate attention of the Engineer. MISDESCRIPTORS ACT 1991. Buyers are warned that this is a working drawing and is not intended to be treated as descriptive material describing, in relation to any particular property or development, any of the specified matters prescribed by any order made under the above act. The contents of this drawing may be subject to change at any time and alterations and variations can occur during the process of works without revision of the drawing. Consequently the layout, form, content and dimensions of the finished construction may differ materially from those shown. Nor do the contents of this drawing constitute a contract, part of any contract or warranty.

- GENERAL NOTES:**
- All dimensions to be checked on site. All details and dimensions relating to sub-Contractors work must be checked and agreed between the sub-Contractor or supplier and the general Contractor.
  - This drawing is to be read in conjunction with all relevant Architect's and Engineer's drawings and specification.
  - The main Contractor is responsible for ensuring the stability of the structure whilst the works are in progress.
  - Any information given regarding existing underground services is given in good faith after consultation with the relevant authority. No liability is accepted by the Consultant and the main Contractor is responsible for obtaining and checking all information and taking due care and attention whilst undertaking the works.

The above residual risks are for non-standard hazards. It is assumed that a competent contractor familiar with the construction of this type of work will be appointed who will be aware of the standard hazards.

Rev.	Description	Date	By

Status: **PLANNING APPROVAL**



Drawing Title:  
**SITE WIDE DRAINAGE CONSTRUCTION DETAILS SHEET 7**

Scale @ A1: | 1:20  
Date: | Jun 2023

Drg No. | Revision  
CON608-3897 | P00

This drawing must be read in conjunction with relevant Chartway specifications and standard details. This drawing is subject to copyright. Do not scale from this drawing.