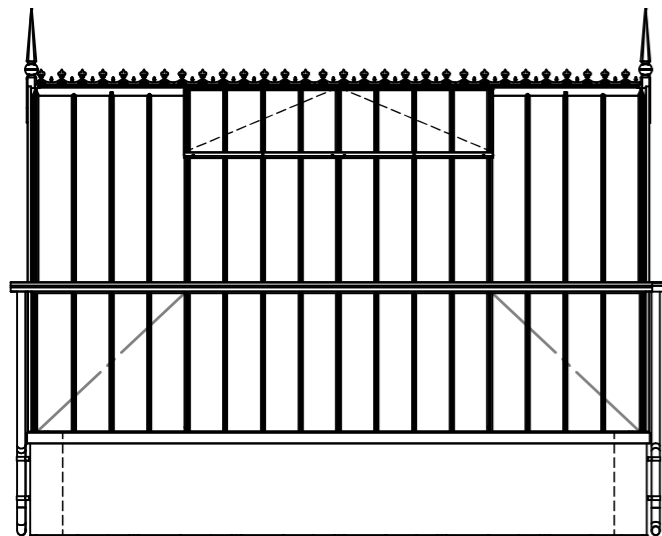
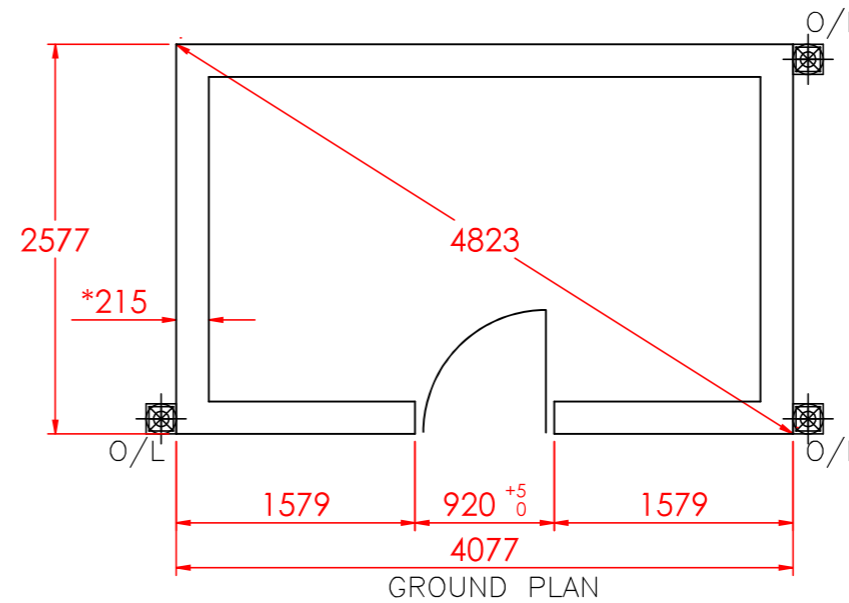
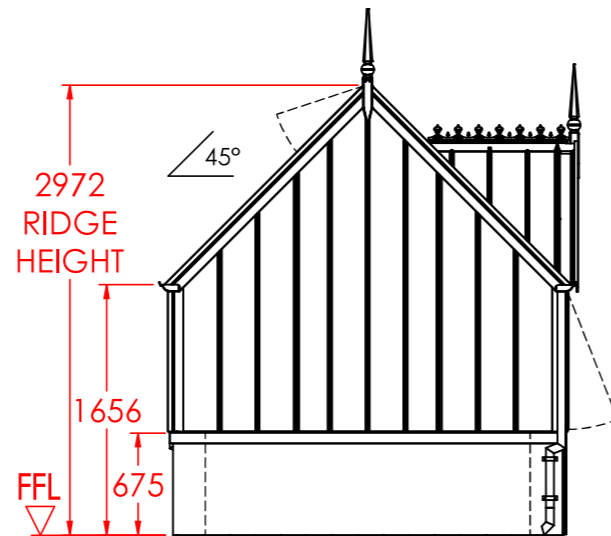




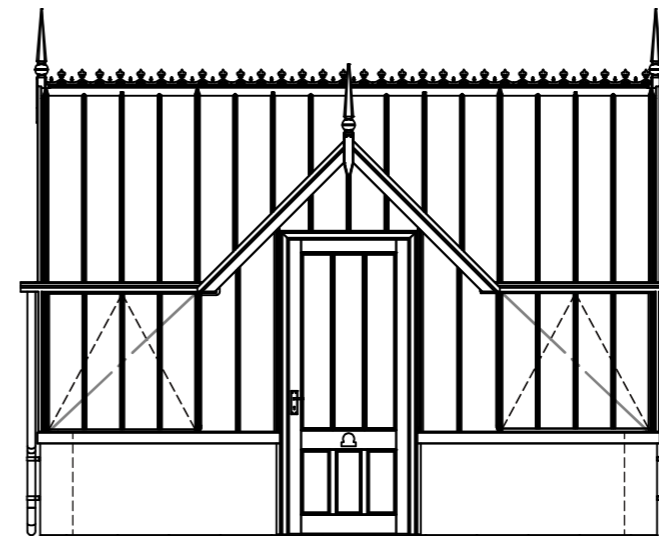
**ISSUED FOR PLANNING CONSENT
PROPOSED PLAN & ELEVATIONS**



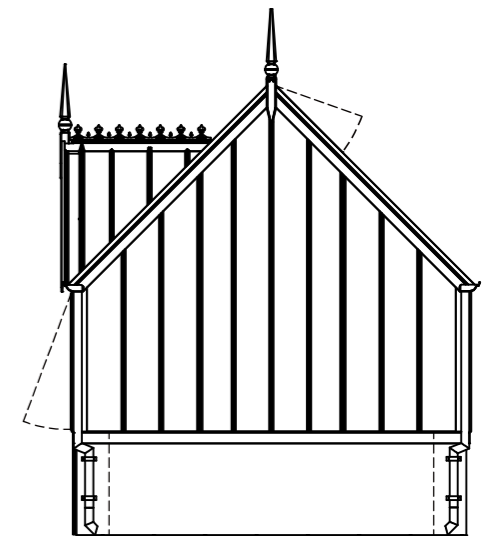
North Elevation



West Elevation



South Elevation



East Elevation

O/L = GUTTER OUT-LET
DIMENSIONS IN MILLIMETRES
PLEASE SEE ATTACHED BUILDING NOTES.
TOLERANCE: + OR - 5mm, EXCEPT AT DOORWAY.
* 215mm - Nominal dimension, wall should be Solid with header course.
* 102mm - Nominal dimension, single course wall Coldframes & Internal Planters Only.

The dimensions shown on this drawing are those of the required brick base. As our structures are manufactured to accommodate these dimensions the completed base MUST correspond exactly (by steel tape measure) to the measurements on this drawing. If the brick base is incorrect in any way, the expense of alterations and delays in installation etc., are the responsibility of the builder and/or the customer.

FINISH FLOOR LEVEL
 PATH
 DRAIN/GULLEY

 GREENHOUSES AND CONSERVATORIES		TITLE		REV
		NATIONAL TRUST GREENHOUSES THE MOTTISFONT PROPOSED PLAN & ELEVATIONS		
DRAWN	DATE	SCALE	DWG. NO.	
ETM	18.10.2023	1:50 @A3	JENN3683_GP	
CHECKED	CHECKED	CUSTOMER / ORDER No.		
		Sharon Jennings, Mansion Farm, ME17 1ES. 33683		



National Trust