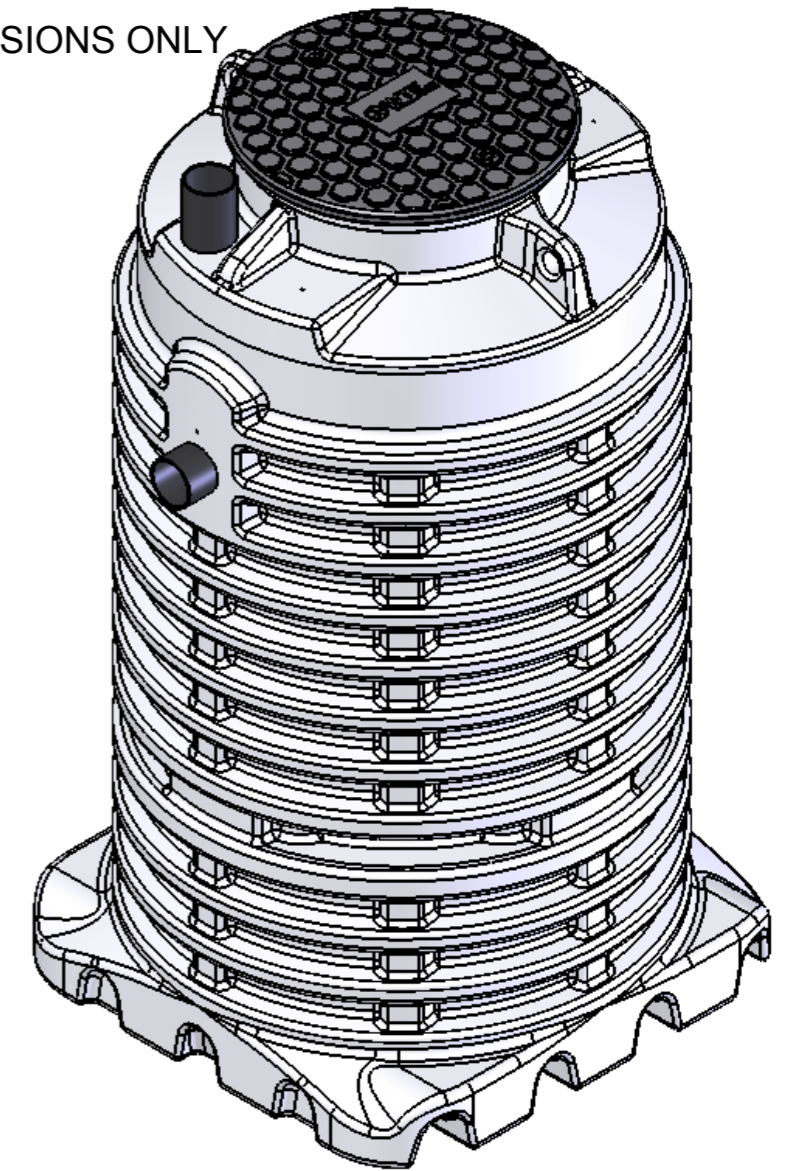
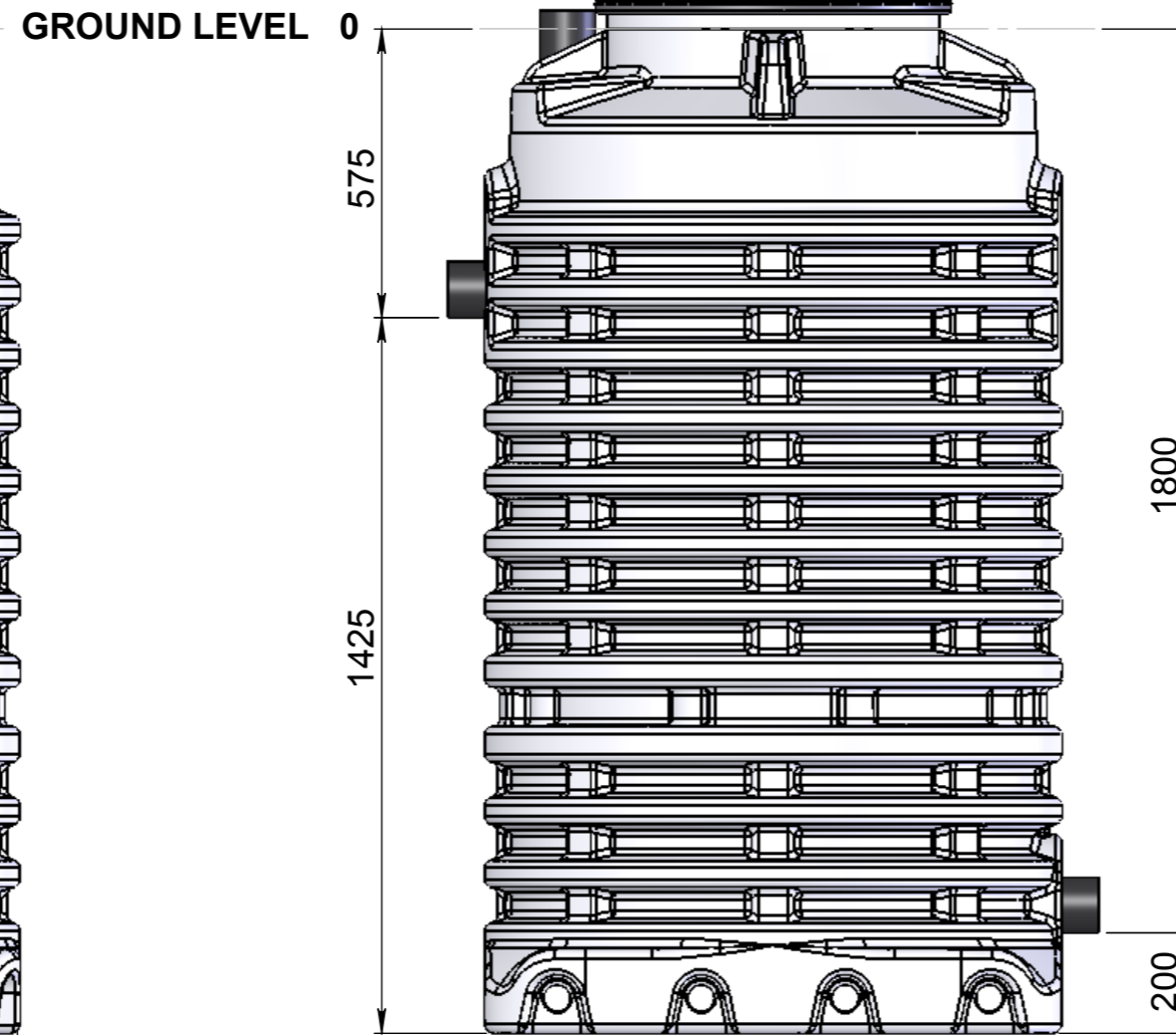
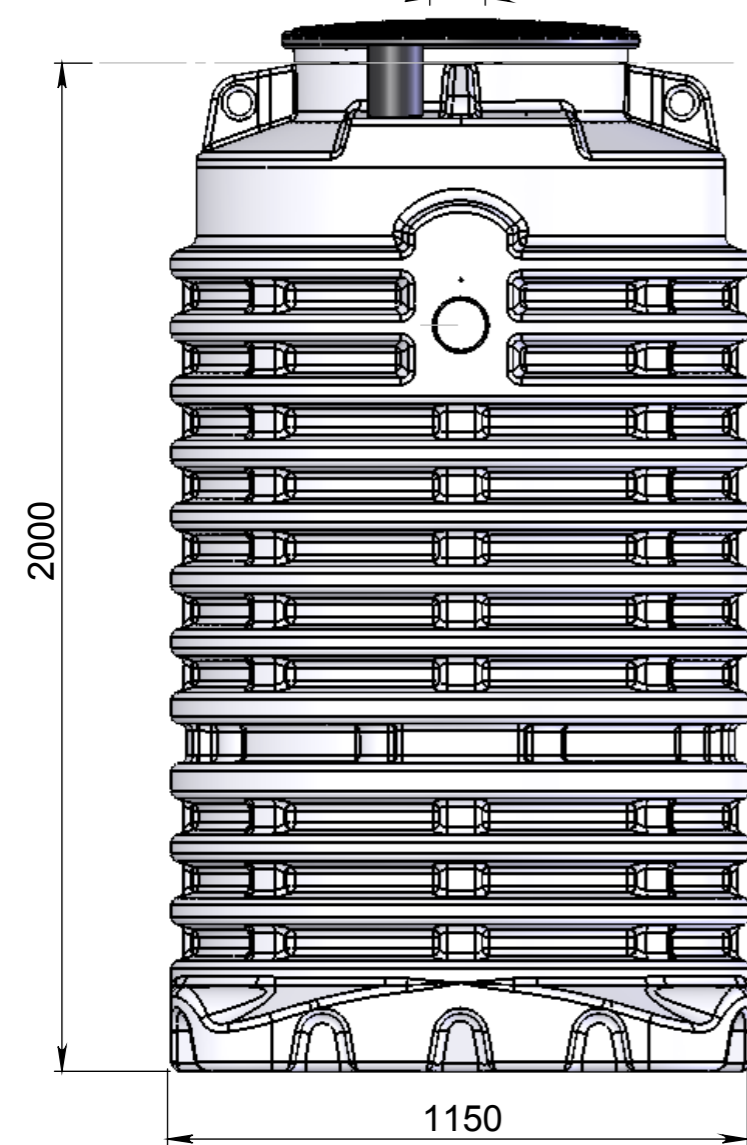
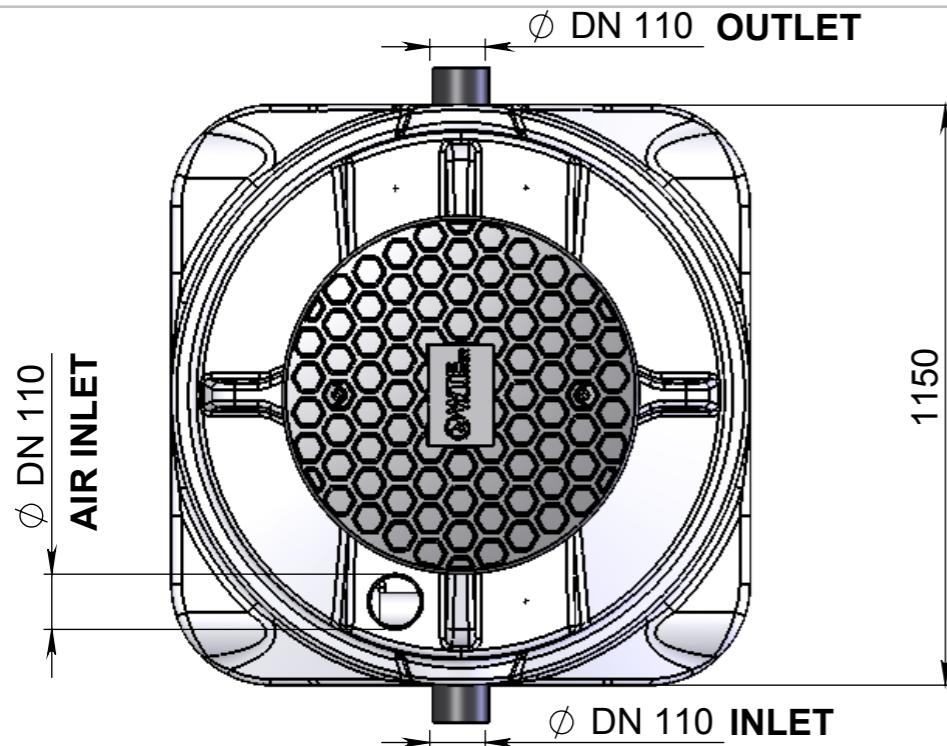


THIS DRAWING IS PROTECTED BY COPYRIGHT AND MUST NOT BE ALTERED OR REPRODUCED WITHOUT THE WRITTEN PERMISSION OF WATER TECHNOLOGY ENGINEERING LIMITED.

DIMENSIONS AND SPECIFICATION ARE SUBJECT TO CHANGE WITHOUT NOTICE.

NOT TO SCALE - NOMINAL DIMENSIONS ONLY



NOTE RE. WEIGHT OF FILTER POD AND ANCILLARY COMPONENTS:

THIS FILTER POD WEIGHS 190Kg ± 5% INCLUSIVE OF MEDIA.

THE LIFTING EYES ARE INTENDED ONLY FOR SAFE USE WHEN THE TANK IS DRY (I.E. NO WATER).



Water Technology Engineering Ltd.
Unit 2, Bolton Lane
York, YO41 5QX
Yorkshire, UK

Title
FilterPod_S_5 - Nominal Installation
Dimensions

Document type		Created by	
Drawing		dfc	
Document status		Approved by	
Installer Drawing		mdc	
Date of Issue	Client ID	Lang	Form
21/08/2018	0000	en	A3
Document number		Rev	Sheet
0702H-SA-2000-00-03		H	1/1