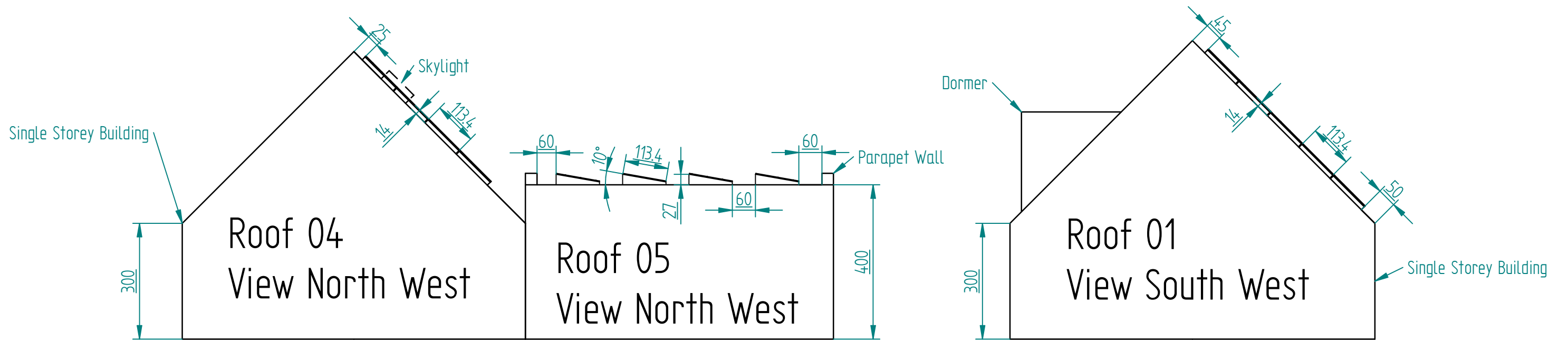
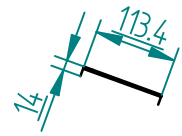
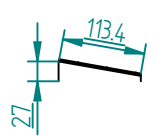


0 100

SCALE: 1:100
Dimensions in cm
100cm=1m



	Pitched Roof: PV panel and mounting kit side view 113.4 x 172.2 x 14cm		Flat Roof: PV panel and mounting kit side view 113.4x172.2 x 27cm	NAME	DATE	<h2>Solar For Schools</h2>	
				DRAWN	SolarFS		TITLE
				CHECKED			Rolph CofE Primary School and Nursery Cross Section
				ENG APPR			
MGR APPR				UNLESS OTHERWISE SPECIFIED DIMENSIONS ARE IN CM	SIZE: A3	SCALE: 1:100	