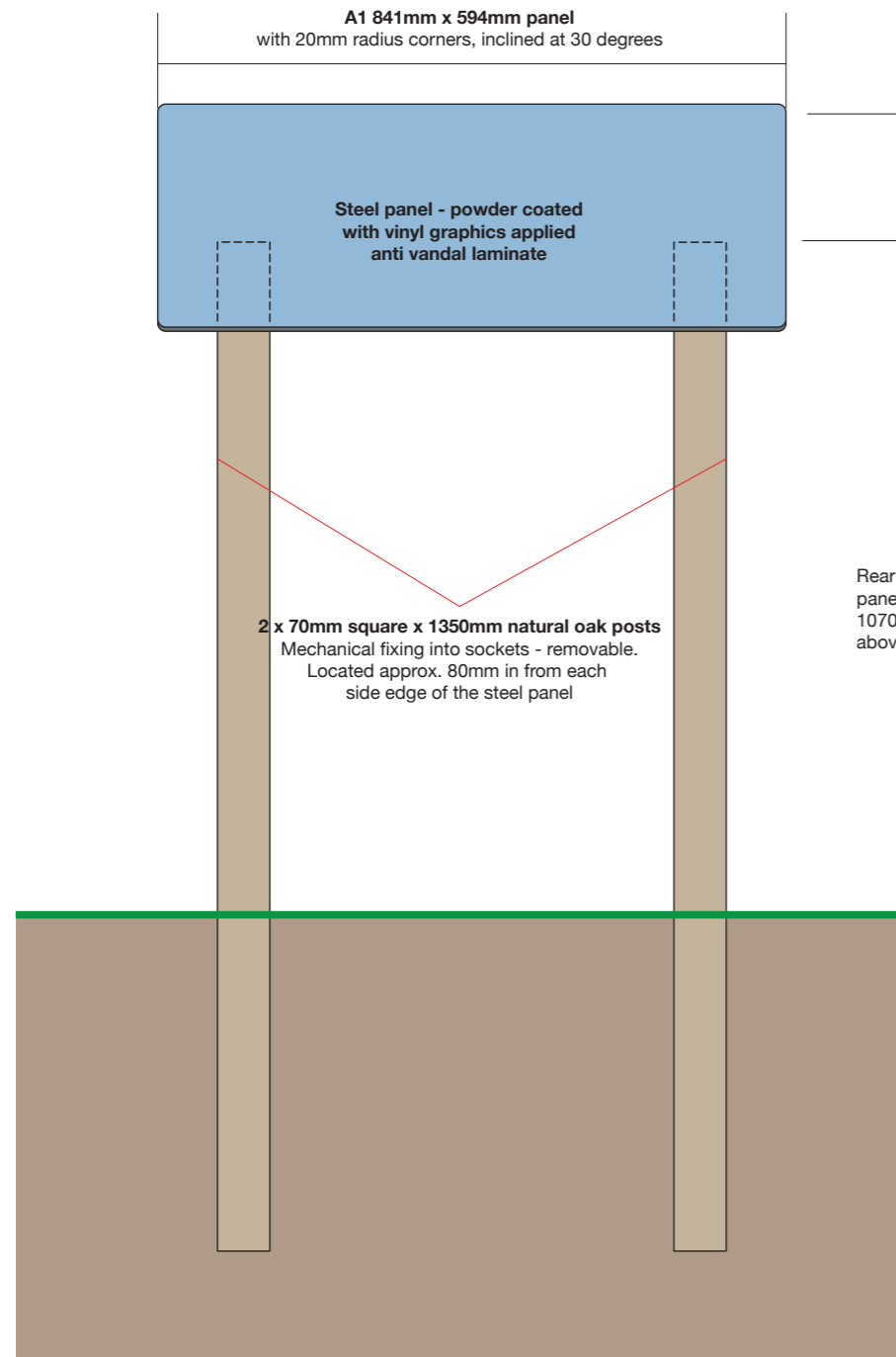


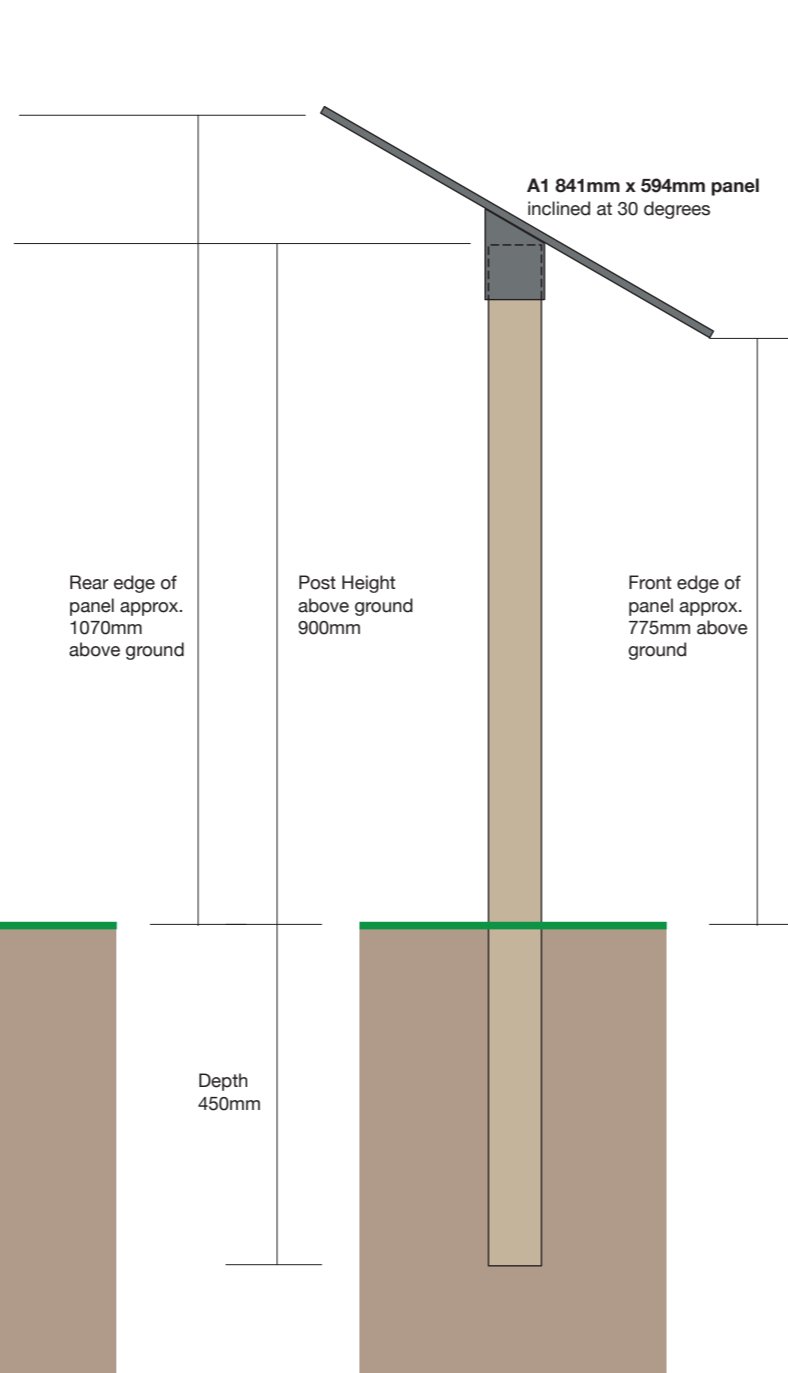
# PILLBOX PANEL

**Steel Lectern - Natural oak detachable posts**  
*(Posts to be supplied by Esquire Developments)*

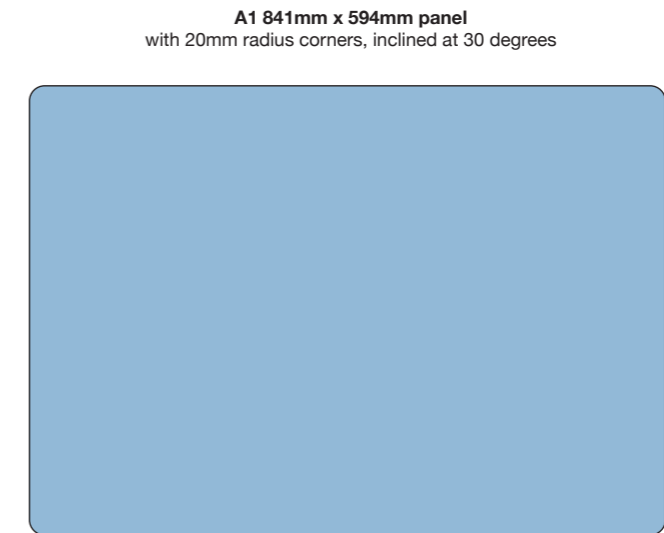
**Front view**



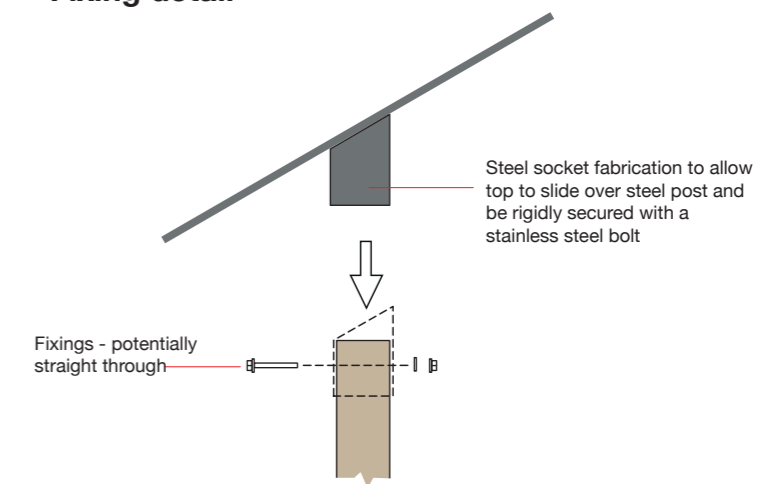
**Side view**



**Flat panel proportions**



**Fixing detail**



M A L T I N G S



Studio: 01332 291377  
 Email: [heritage@maltingspartnership.com](mailto:heritage@maltingspartnership.com)  
 Web: [www.heritage-interpretation.co.uk](http://www.heritage-interpretation.co.uk)  
 Tw: @MaltingsStudio