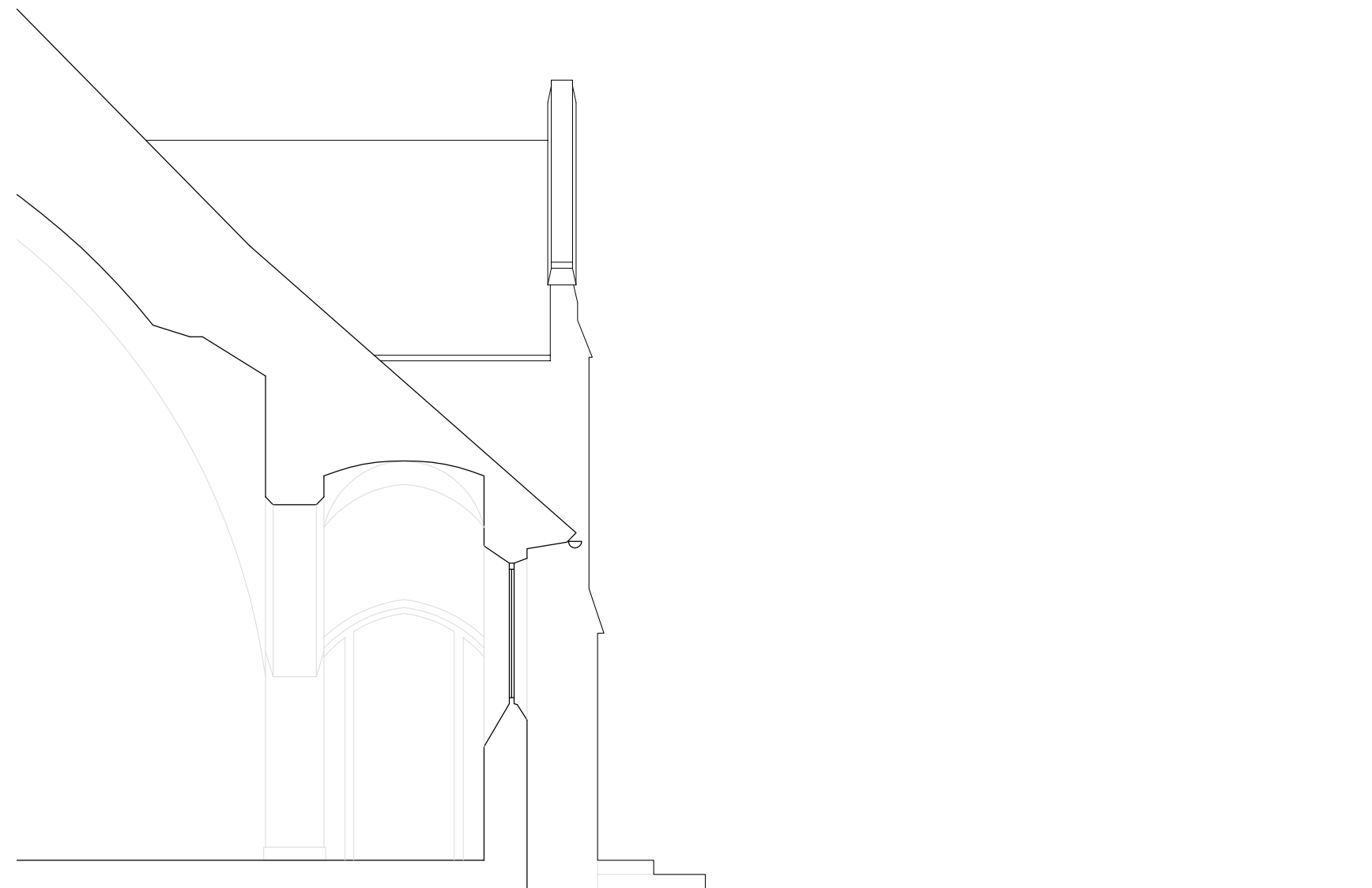
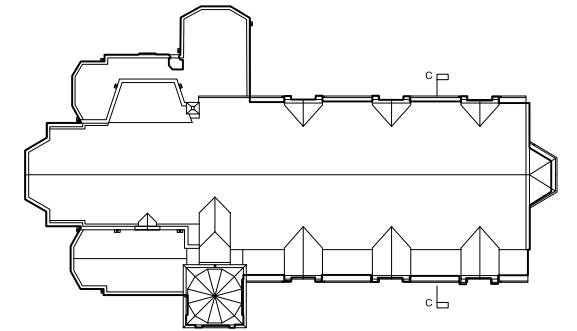


Lee Evans Partnership LLP own the copyright of this and any associated documents. Such documents may not be used or reproduced for any purpose other than that for which they were created.

REV.	DATE	DRN.	CKD.	NOTES
A	2024.02.02	DD	JM	PLANNING VALIDATION



Section C-C



chartered architects  
and planning consultants

Lee Evans Partnership LLP,  
Canterbury: St Johns Lane, Canterbury, Kent CT1 2QQ Tel: 01227 784444  
London: 70 Cowcross Street, London EC1M 6EJ Tel: 0203 763 1899  
email: architects@lee-evans.co.uk website: www.lee-evans.co.uk fax: 01227 819102

PROJECT  
St Martin's Church, Maidstone : new accessible toilet

CLIENT \_\_\_\_\_ DATE  
St Martin's Church, Maidstone 02/02/2024

DRAWING TITLE \_\_\_\_\_ DRN + CKD  
Section as Existing DD JM

ISSUE STATUS \_\_\_\_\_ SCALE  
1:50 @ A3

DRAWING NUMBER \_\_\_\_\_ REVISION  
9179-A-L-(00)-10 A