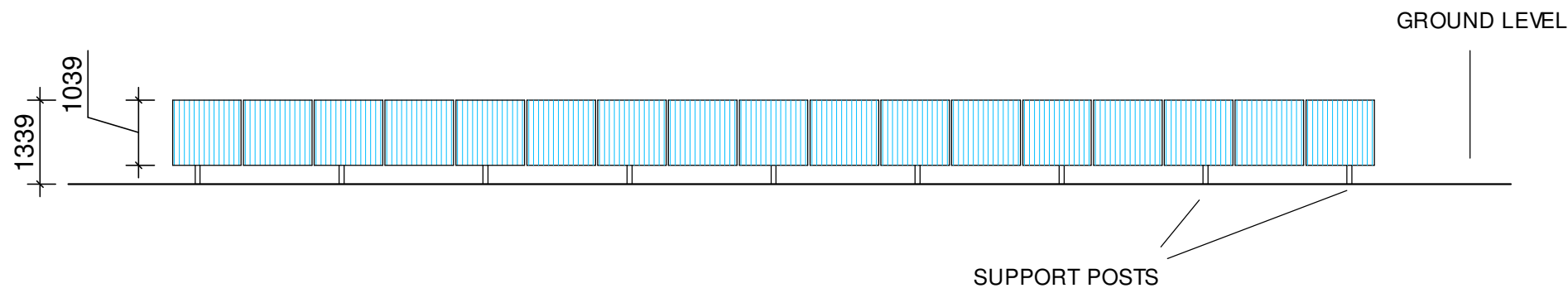
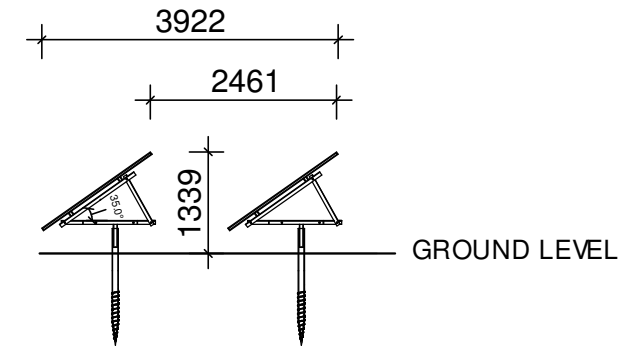


# SOLAR PV PANEL CONFIGURATION

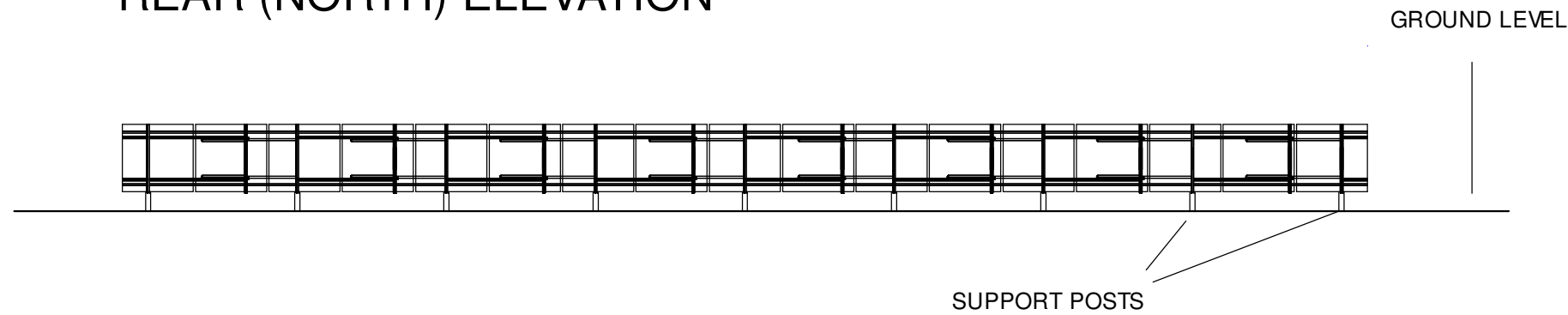
## FRONT (SOUTH) ELEVATION



## SIDE (EAST) ELEVATION

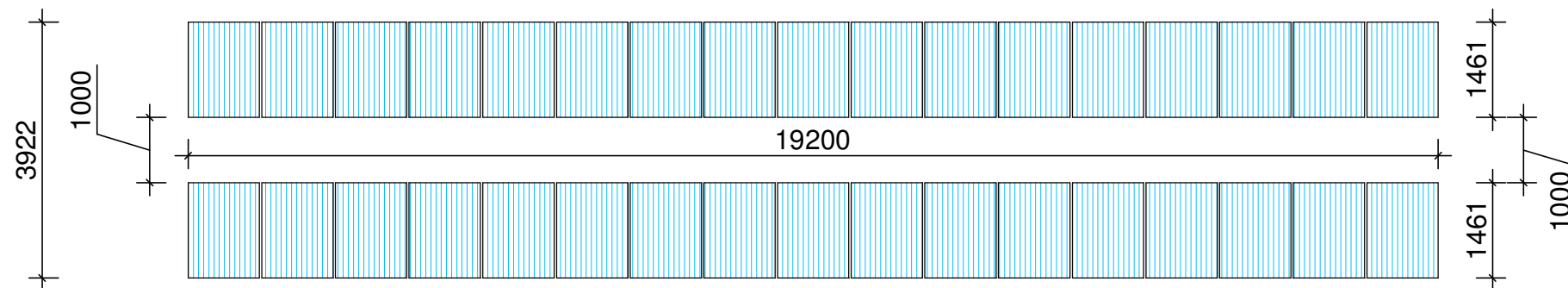


## REAR (NORTH) ELEVATION

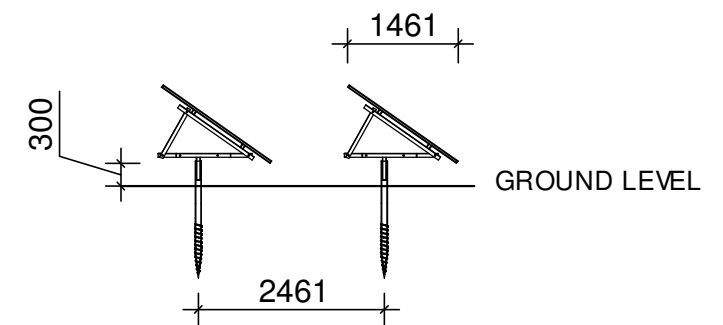


## PANEL ANGLE 35 DEGREES

## PLAN VIEW



## SIDE (WEST) ELEVATION



PROPOSED SOLAR PHOTOVOLTAIC PANELS FOR WELSHPOOL GOLF CLUB

**SCALE 1:100**