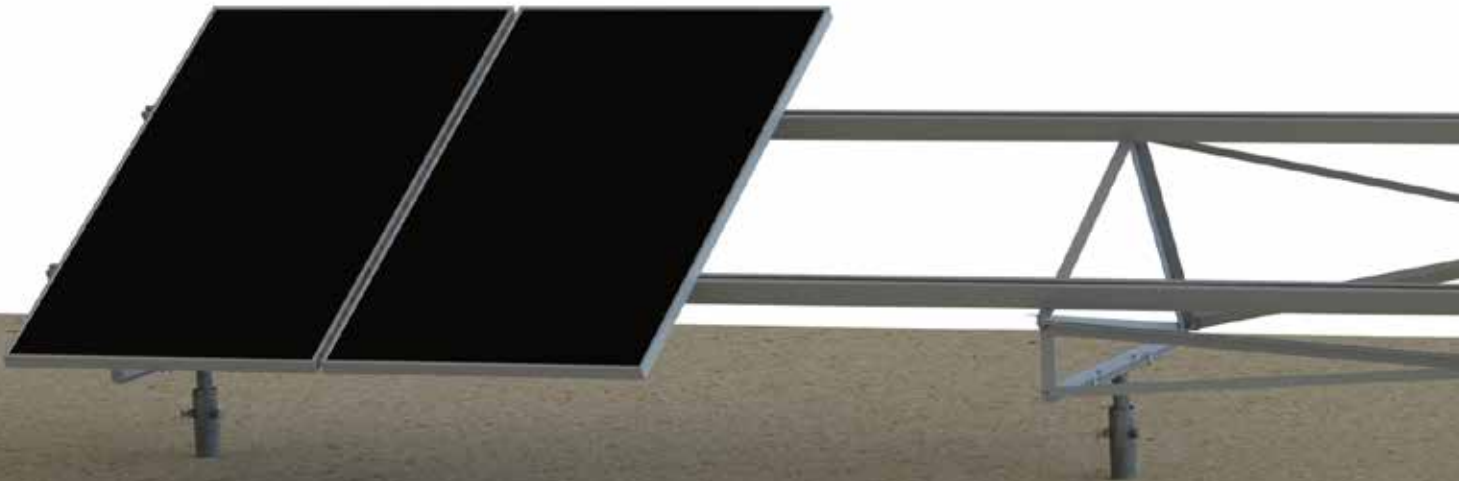




PARK TEGRA **SINGLE STRUCTURE**



R3 Bourton Industrial Park, Bourton on the Water, Glos, GL54 2HQ, UK

Tel: +44 1451 824 312

Email: info@sunfixings.co.uk

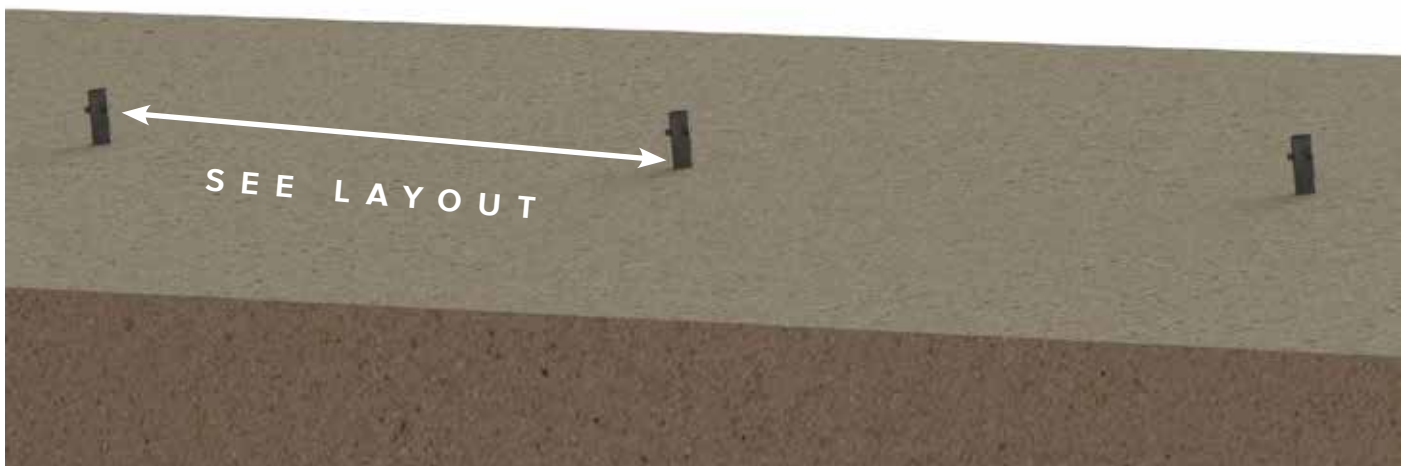
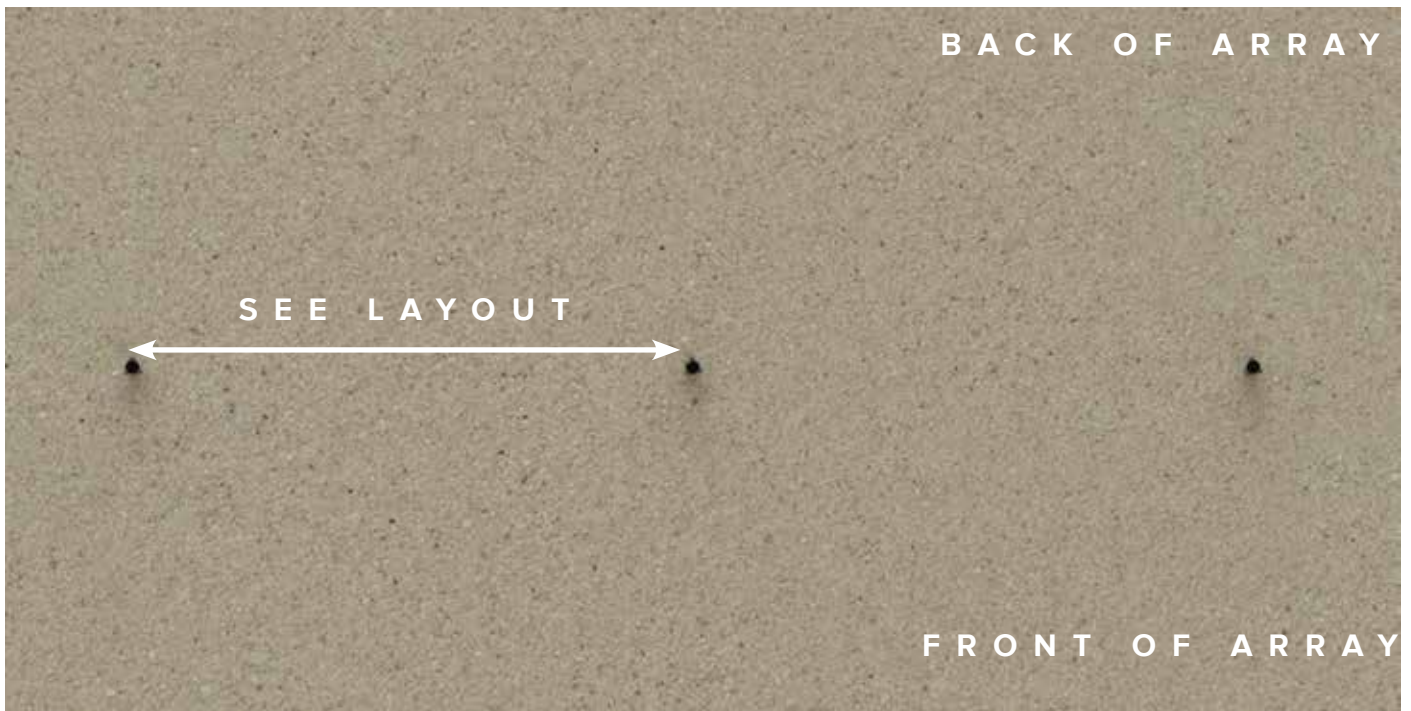
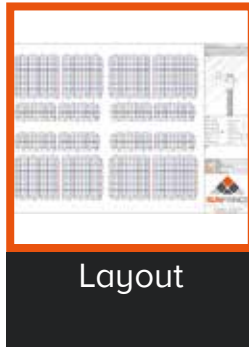
WWW.SUNFIXINGS.CO.UK

V092017

2

Use the layout to mark out the Ground Anchor positions

Tools & Items Required



3

Screw in the Ground Anchors

Tools & Items Required



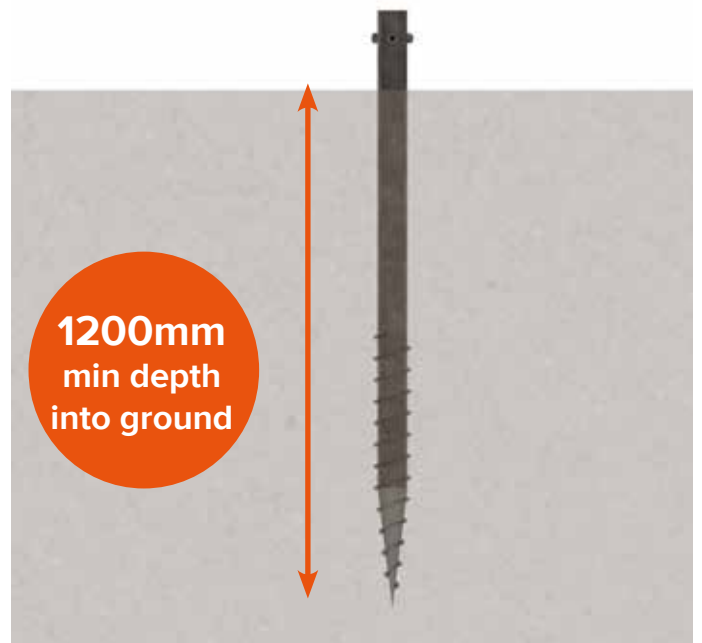
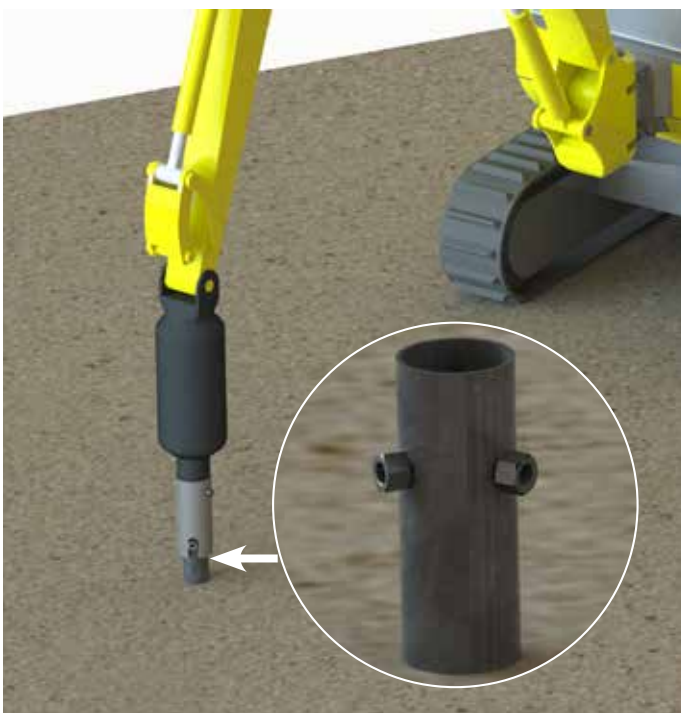
Hydraulic Auger Unit



Auger Adapter



Ground Anchor



4

Attaching the T Adapter

Tools & Items Required



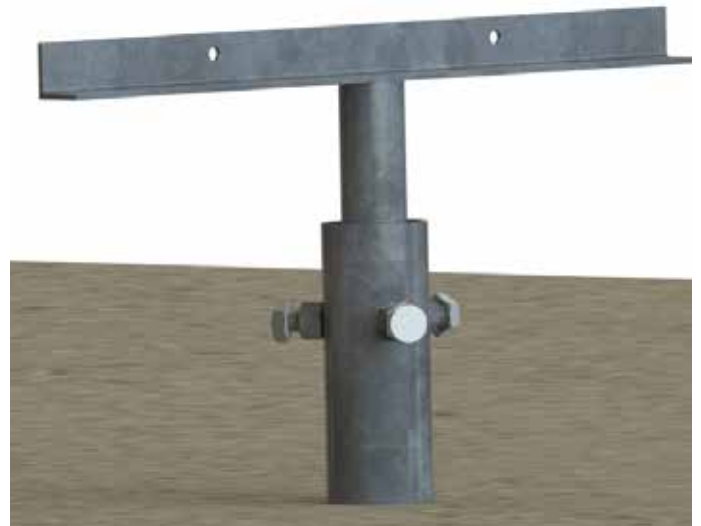
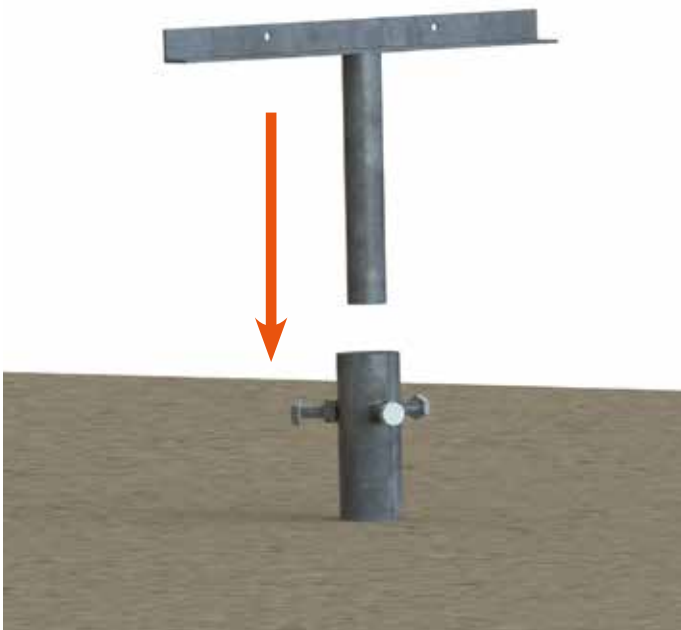
24mm Socket
Wrench



Ground Anchor



T Adapter



Galvanisation spray is provided for any scratches made into any of the steel items.
Follow the instructions on the spray.



60Nm

5

Pre-drill the Elevation Frame

Tools & Items Required



Battery Drill



HSS Drill Bit



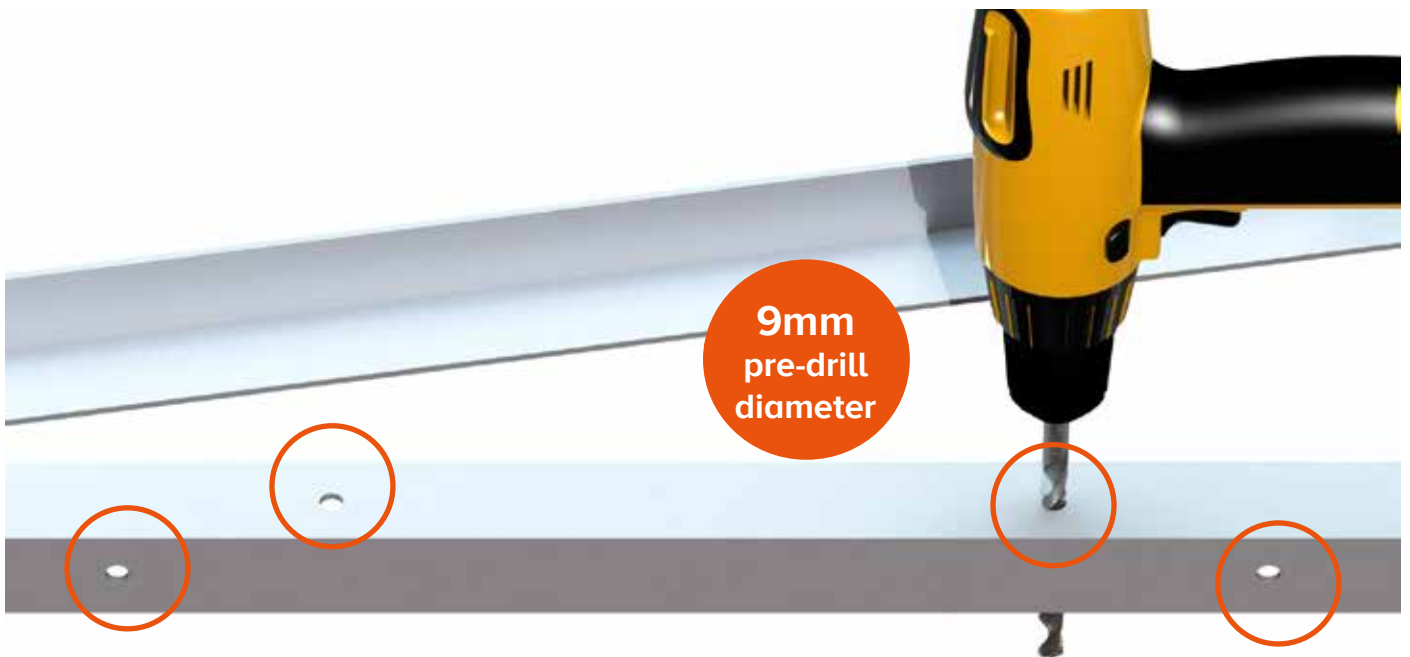
Elevation Frame



T Adapter



Match hole positions to holes in T Adapter.



9mm
pre-drill
diameter

6

Apply EPDM to the T Adapter

Tools & Items Required



Knife



T Adapter



EPDM



7

Tightening the bolts & nuts of the Elevation Frame

Tools & Items Required



13mm Spanner



6mm Allen Key



Cylinder Head
Screw



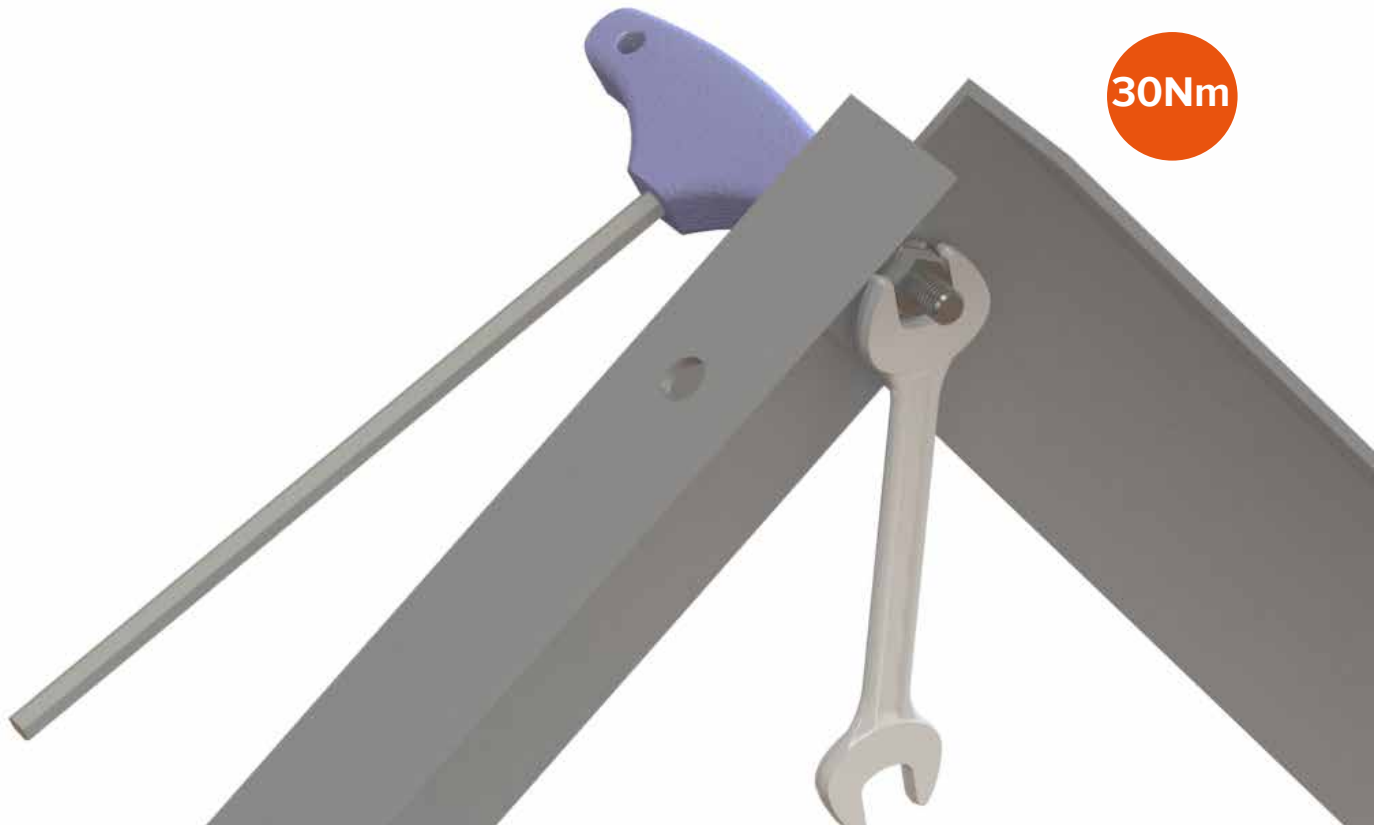
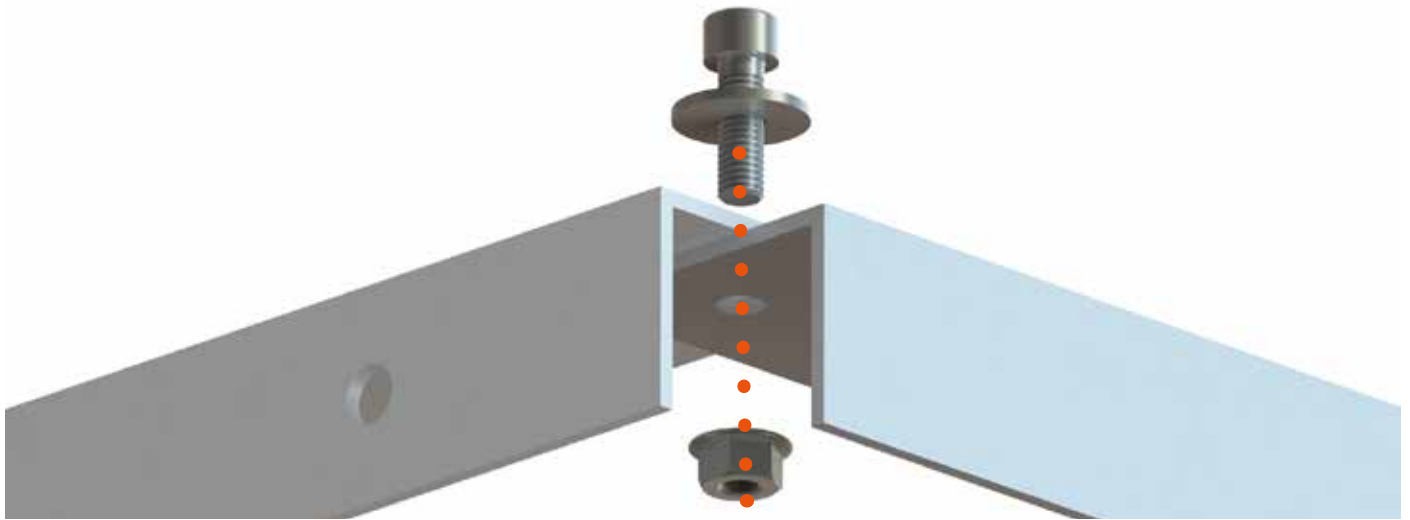
M8 Serrated
Nut



M8 Washer



Elevation
Frame



8

Attach the Elevation to the T Adapter

Tools & Items Required



13mm Spanner



6mm Allen Key



Cylinder Head Screw



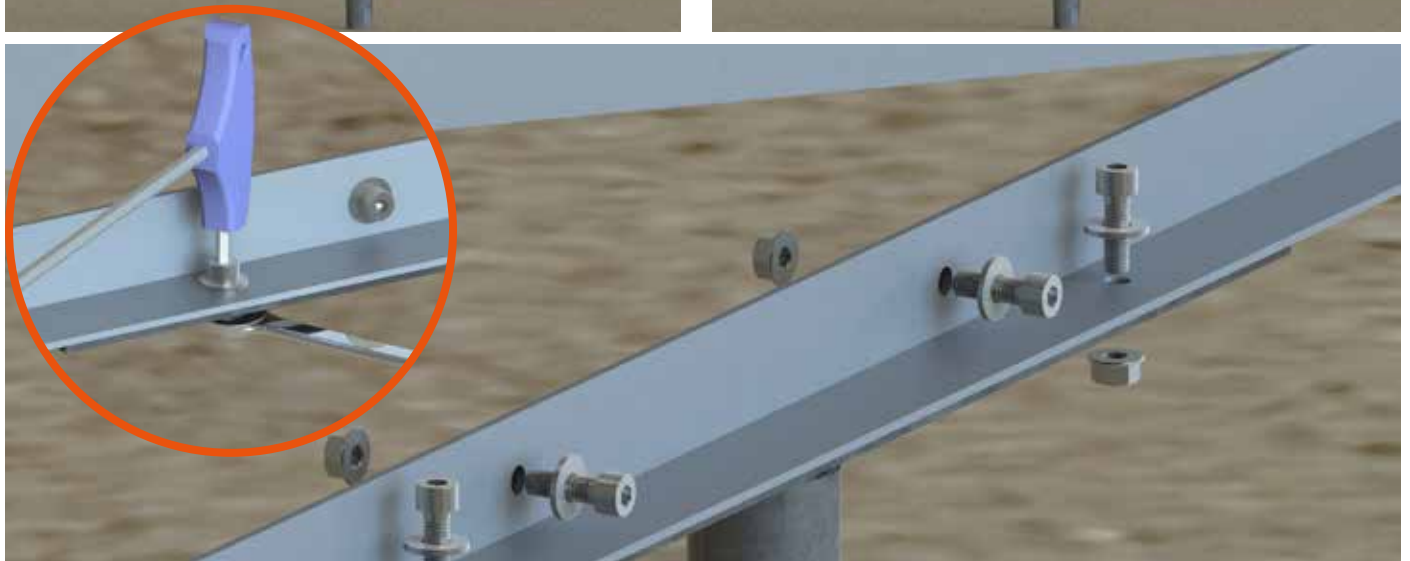
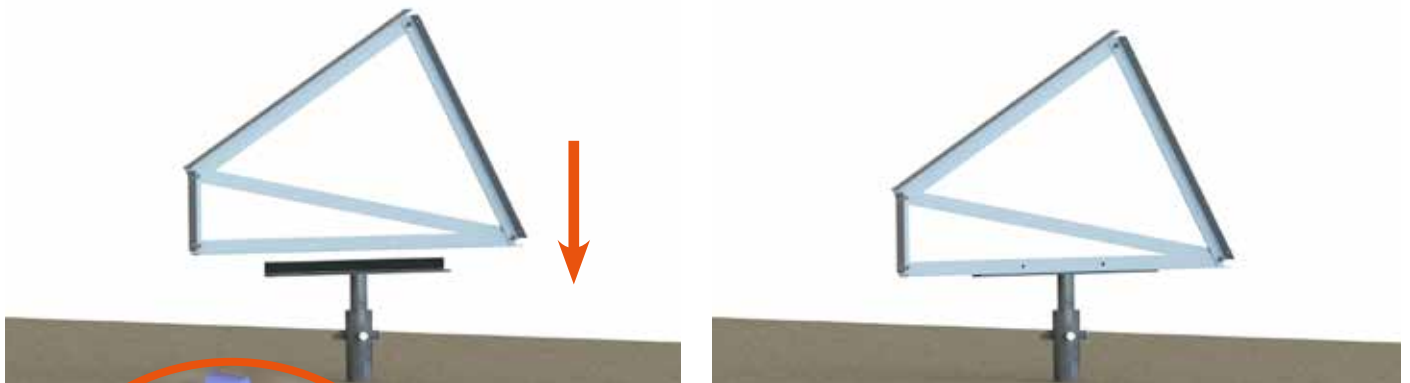
M8 Serrated Nut



M8 Washer



Elevation Frame



30Nm

9

Attaching the Mounting Rails

Tools & Items Required



15mm Spanner



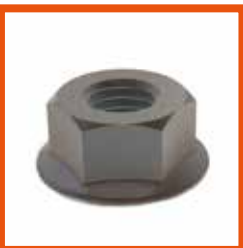
Elevation Frame



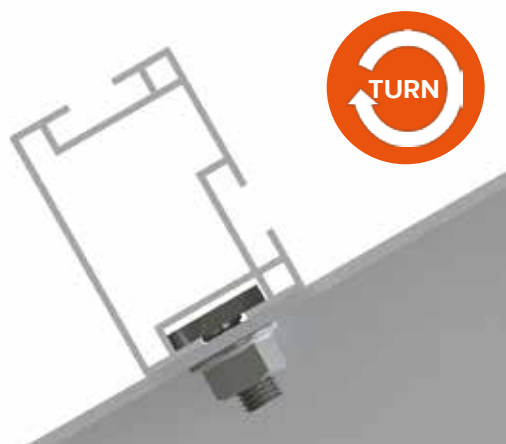
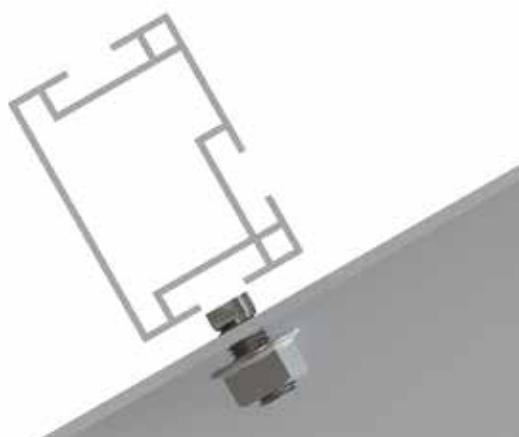
Mounting Rail



M10 T Bolt



M10 Serrated Nut



10

Drilling the Elevation for the Wind Bracing

Tools & Items Required



Layout



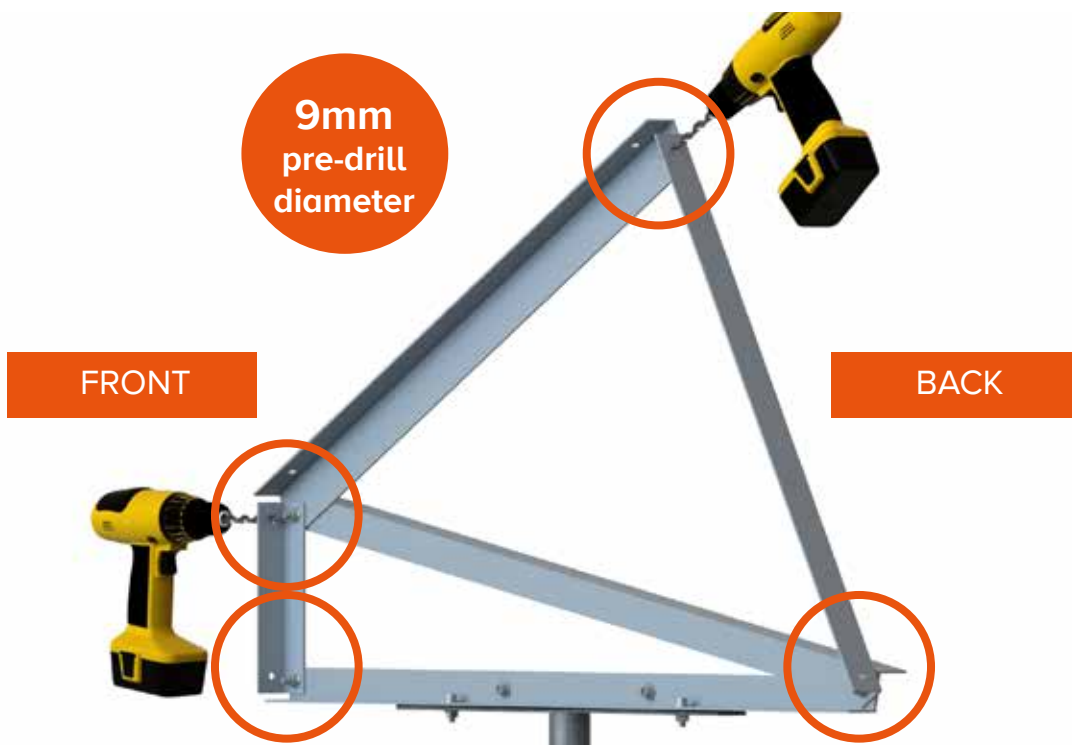
Battery Drill



HSS Drill Bit



Elevation Frame

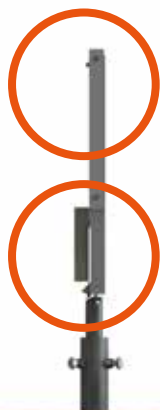


9mm
pre-drill
diameter

FRONT

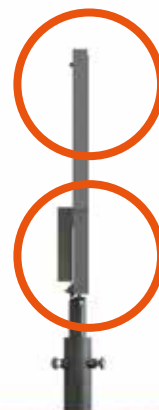
BACK

Use the layout for the positions of the Wind Bracing.
Pre-drill 2x 9mm diameter holes at the front and at the back of the Elevation Frames.



The Wind Bracing Set
includes:

1x Flat Piece
1x L Piece
5x Cylinder Head Screws
5x M8 Serrated Nuts



11

Fitting the Wind Bracing

Tools & Items Required



8mm Allen Key



13mm Spanner



Cylinder Head Screw



M8 Serrated Nut



M8 Washer

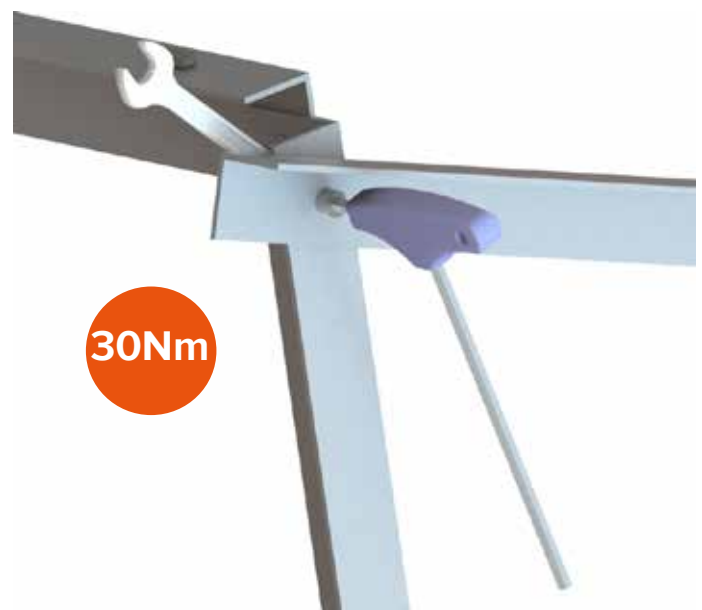
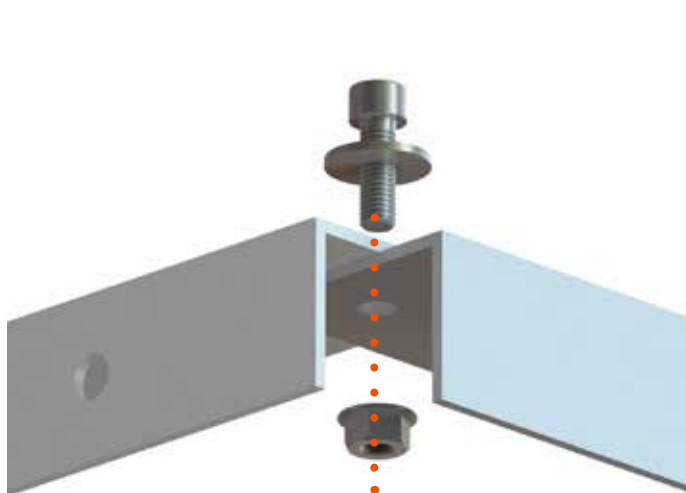
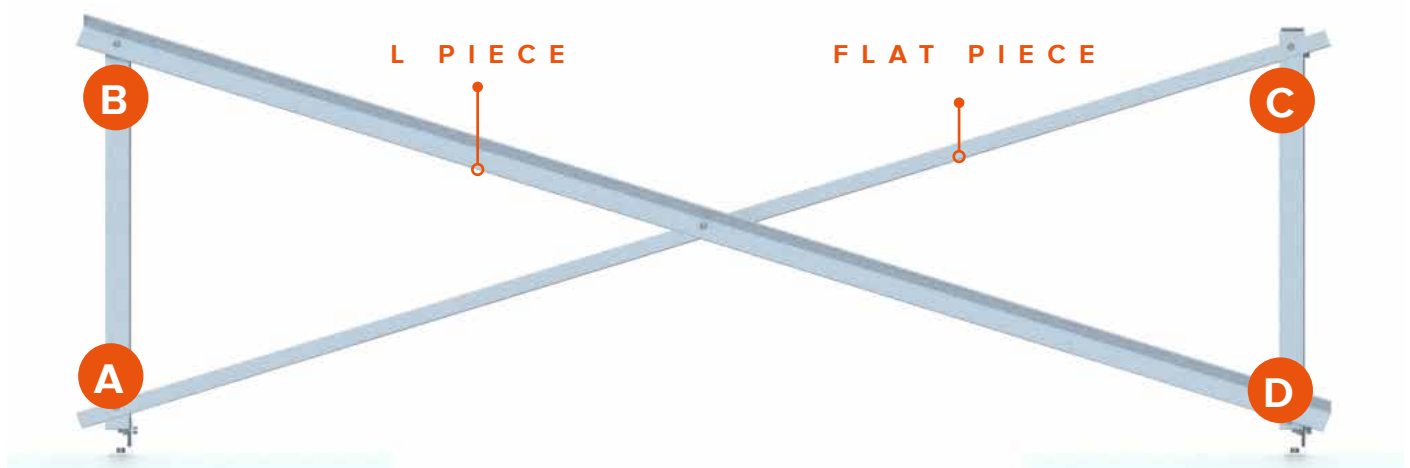


Wind Bracing

Place the Flat Piece so that it sits over holes A & C. Fix using Cylinder Head Screw, M8 Washer and M8 Serrated Nut.

Place the L Piece over the top of the Flat Piece, so it sits over holes B & D. Fix using Cylinder Head Screw, M8 Washer and M8 Serrated Nut.

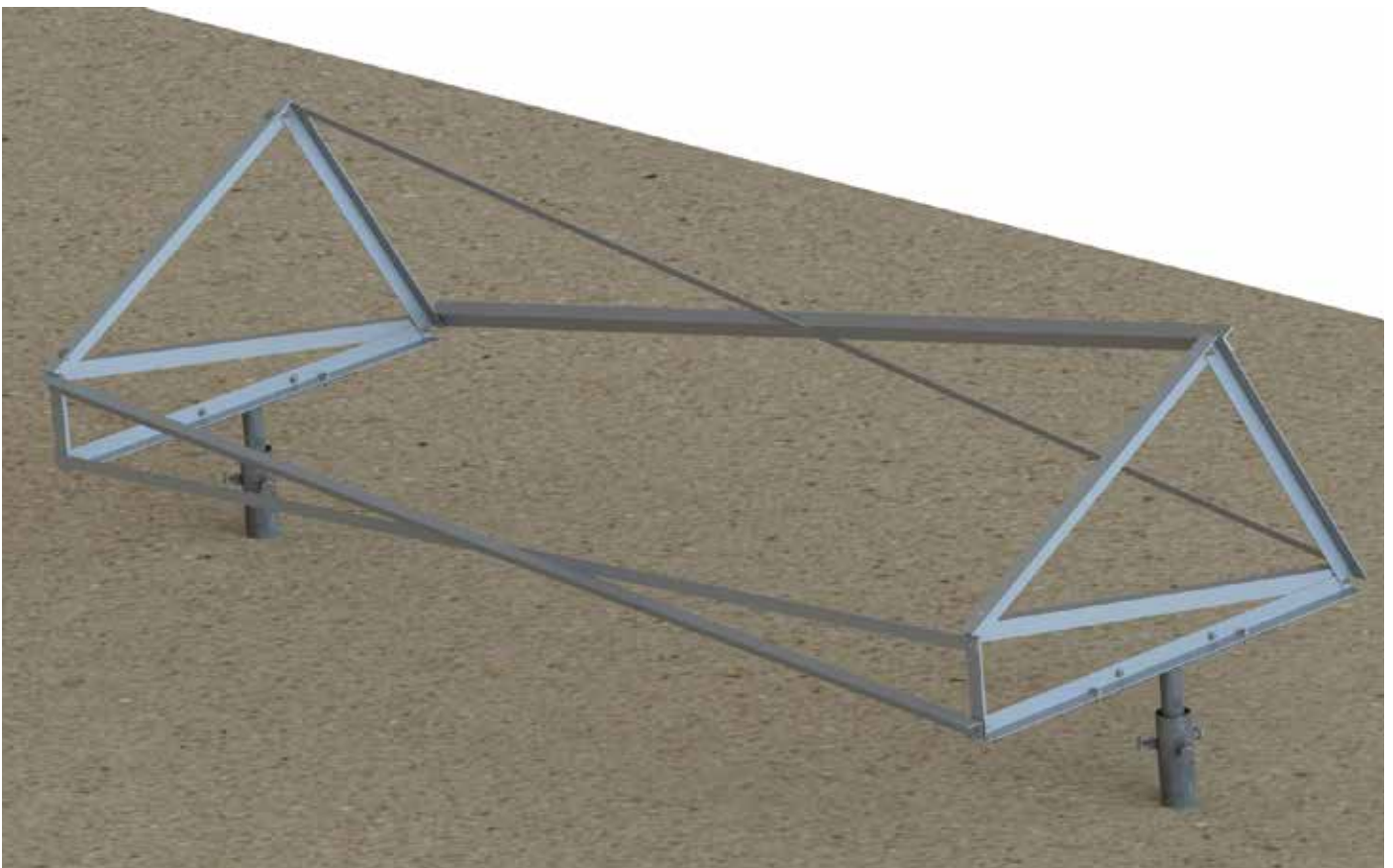
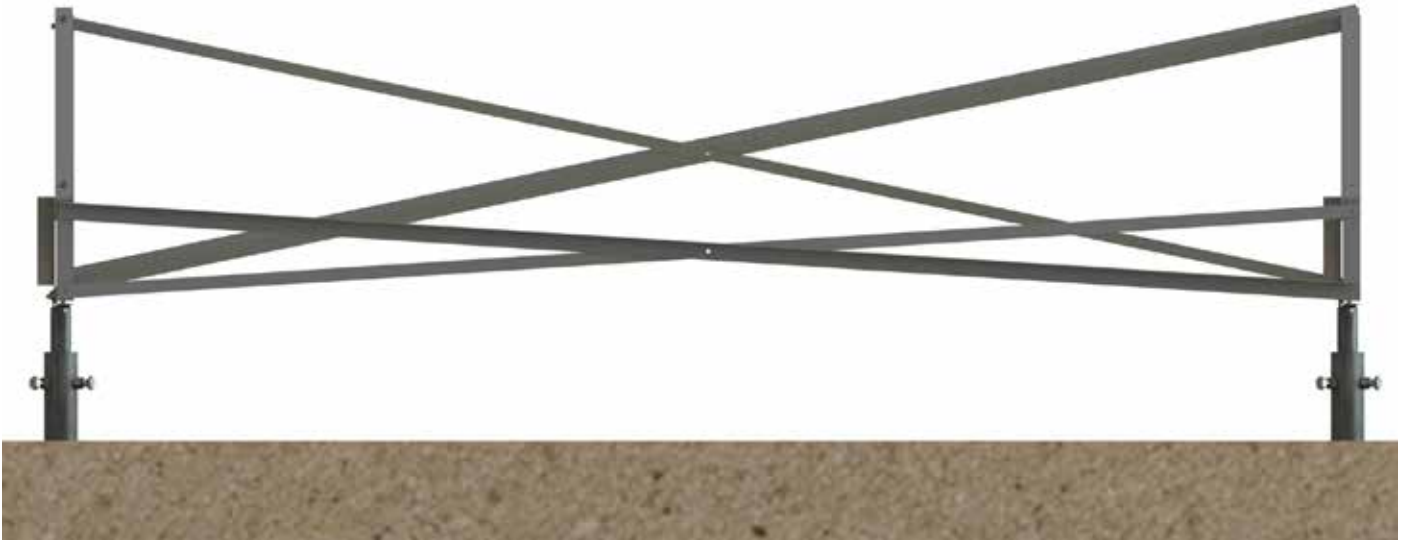
Fix the centre with a Cylinder Head Screw, M8 Washer and M8 Serrated Nut.



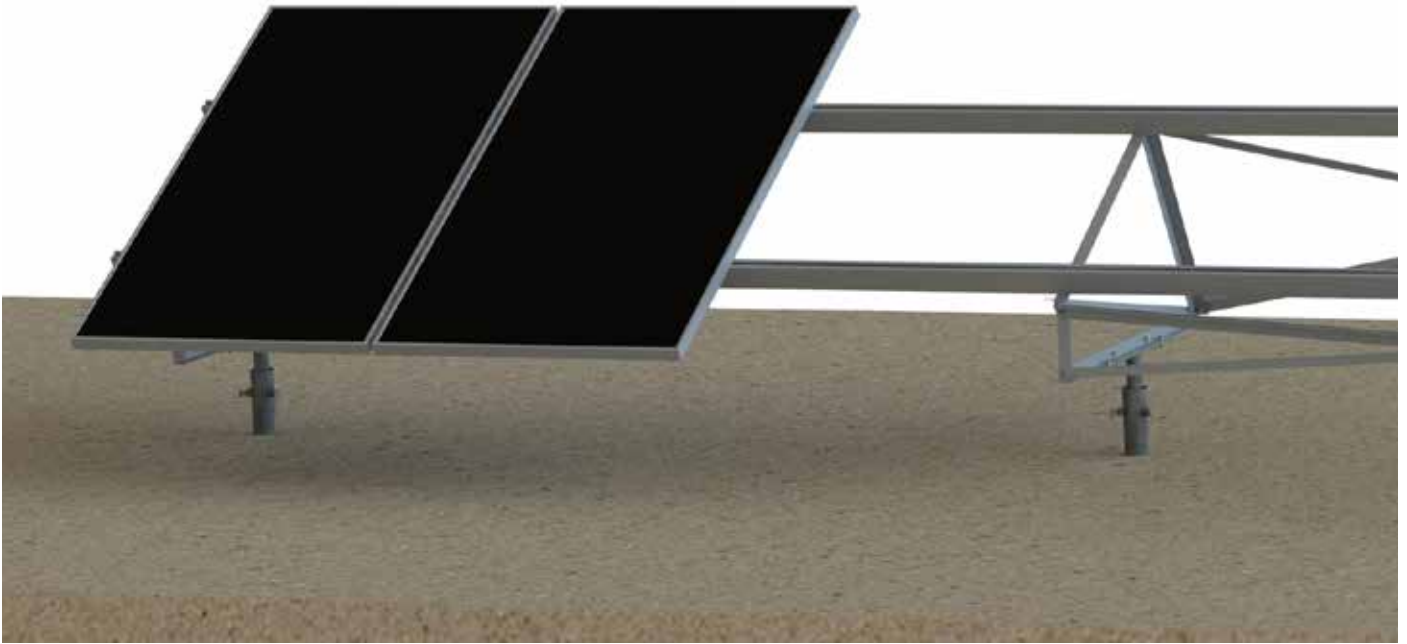
12

Fitting the Wind Bracing

Repeat step 11 for the back and the front of the Elevation Frames.



Portrait Orientation



Landscape Orientation

