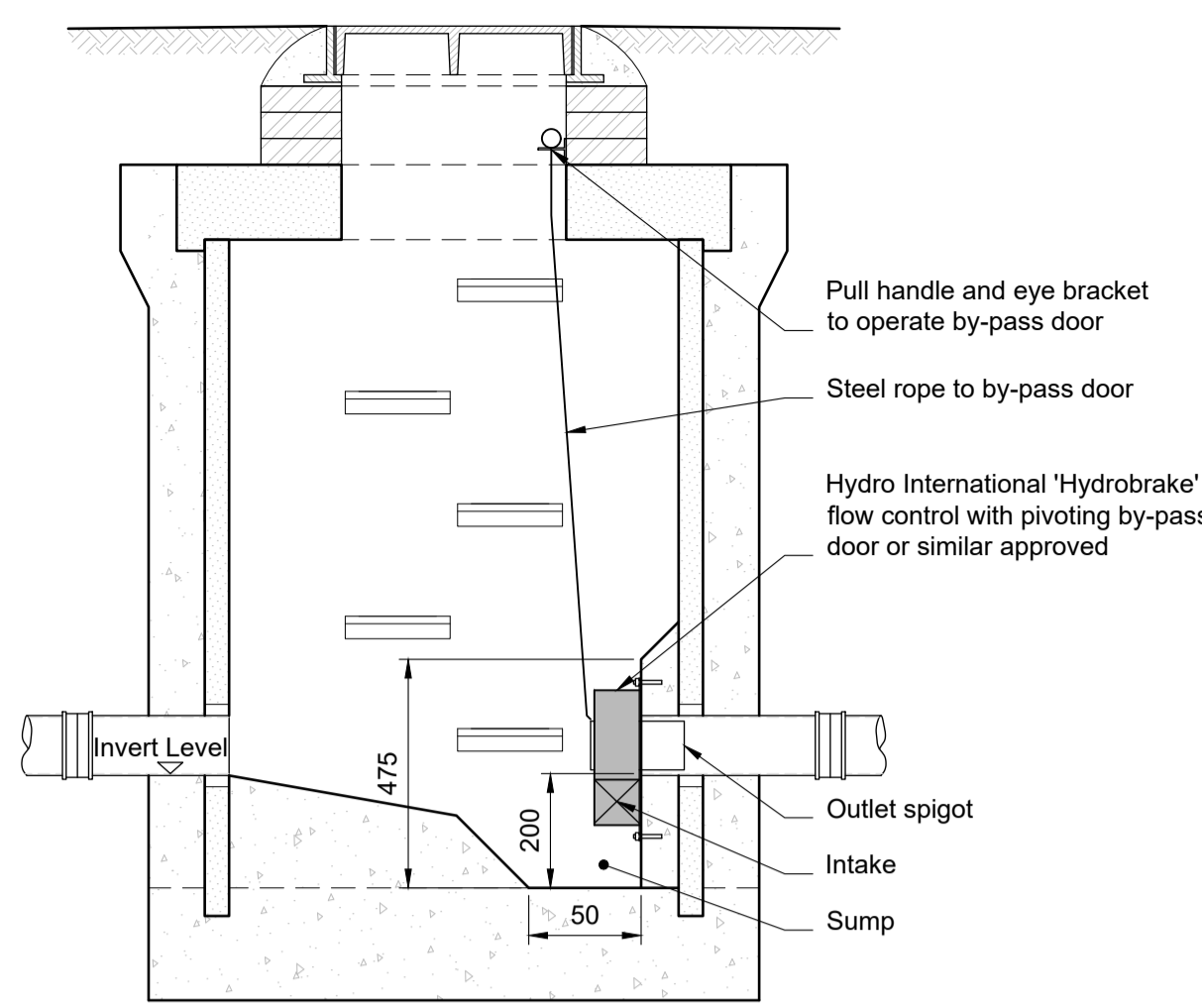


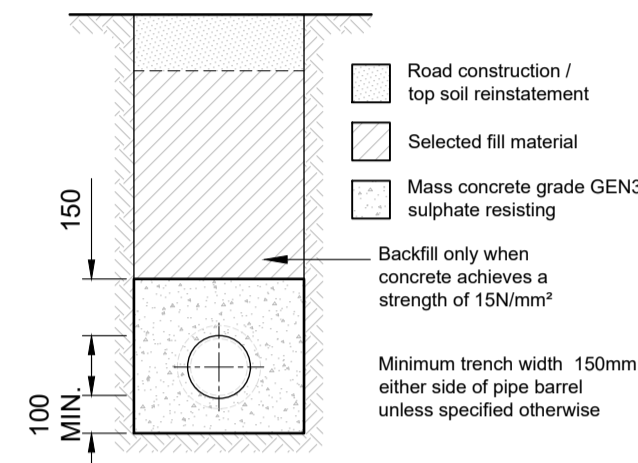
CROSS SECTION



RIGID PIPE BEDDING DETAIL CLASS S - BEDDING FACTOR 2.5

For use where cover to pipe is:

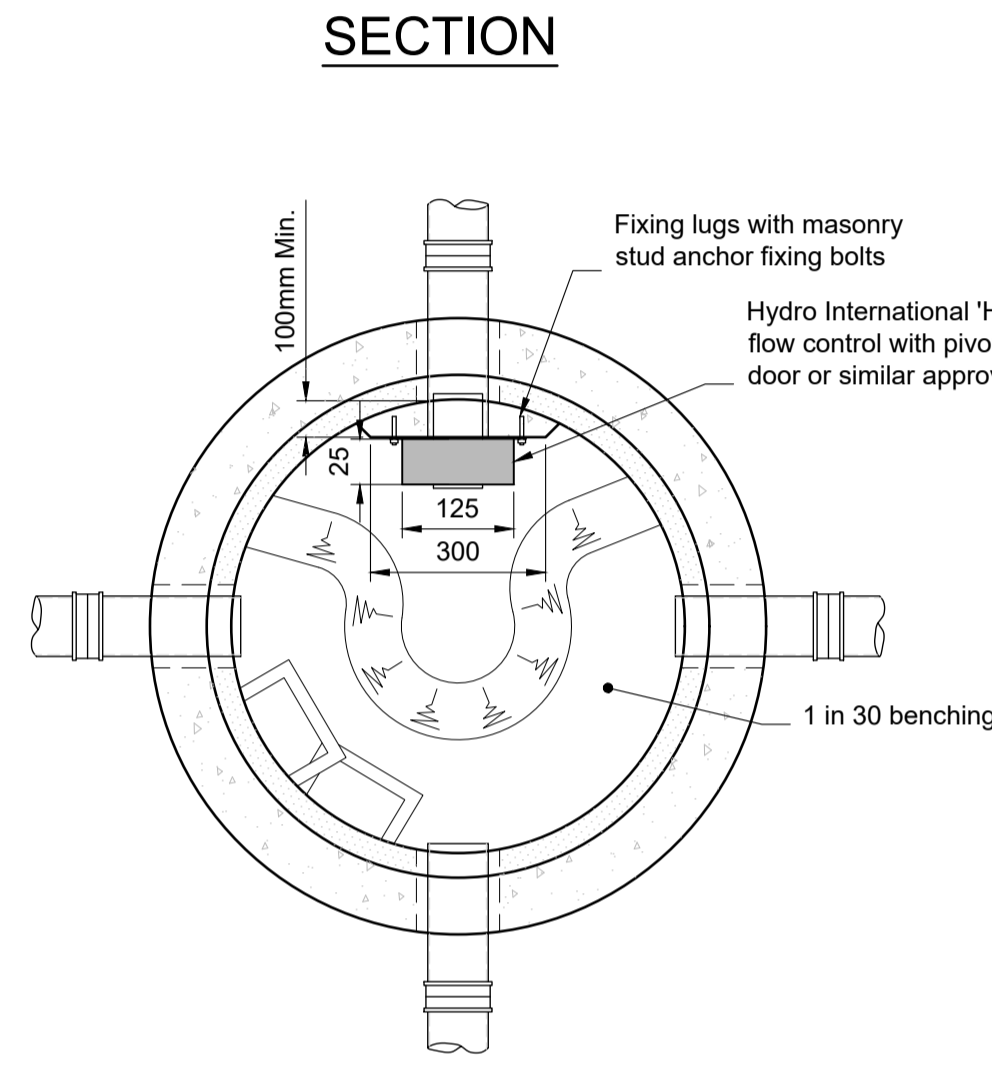
- > 350mm in pedestrian areas
- > 500mm in car parks with no HGV loading
- > 900mm in vehicular areas with limited HGV loading



PIPE BEDDING DETAIL CLASS Z - CONCRETE SURROUND

For use where cover to pipe is:

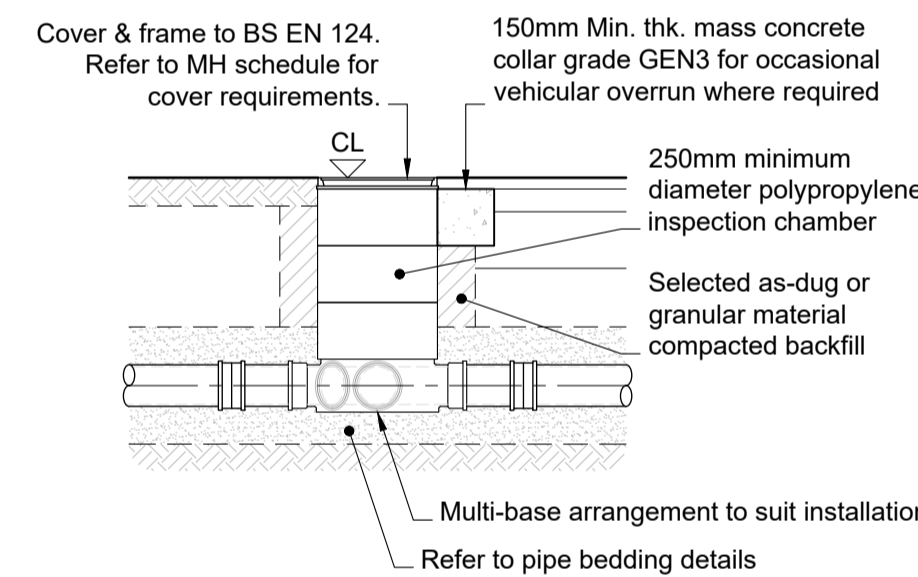
- < 350mm in pedestrian areas
- < 500mm in car parks with no HGV loading
- < 900mm in vehicular areas with limited HGV loading



FLOW CONTROL MANHOLE DETAIL

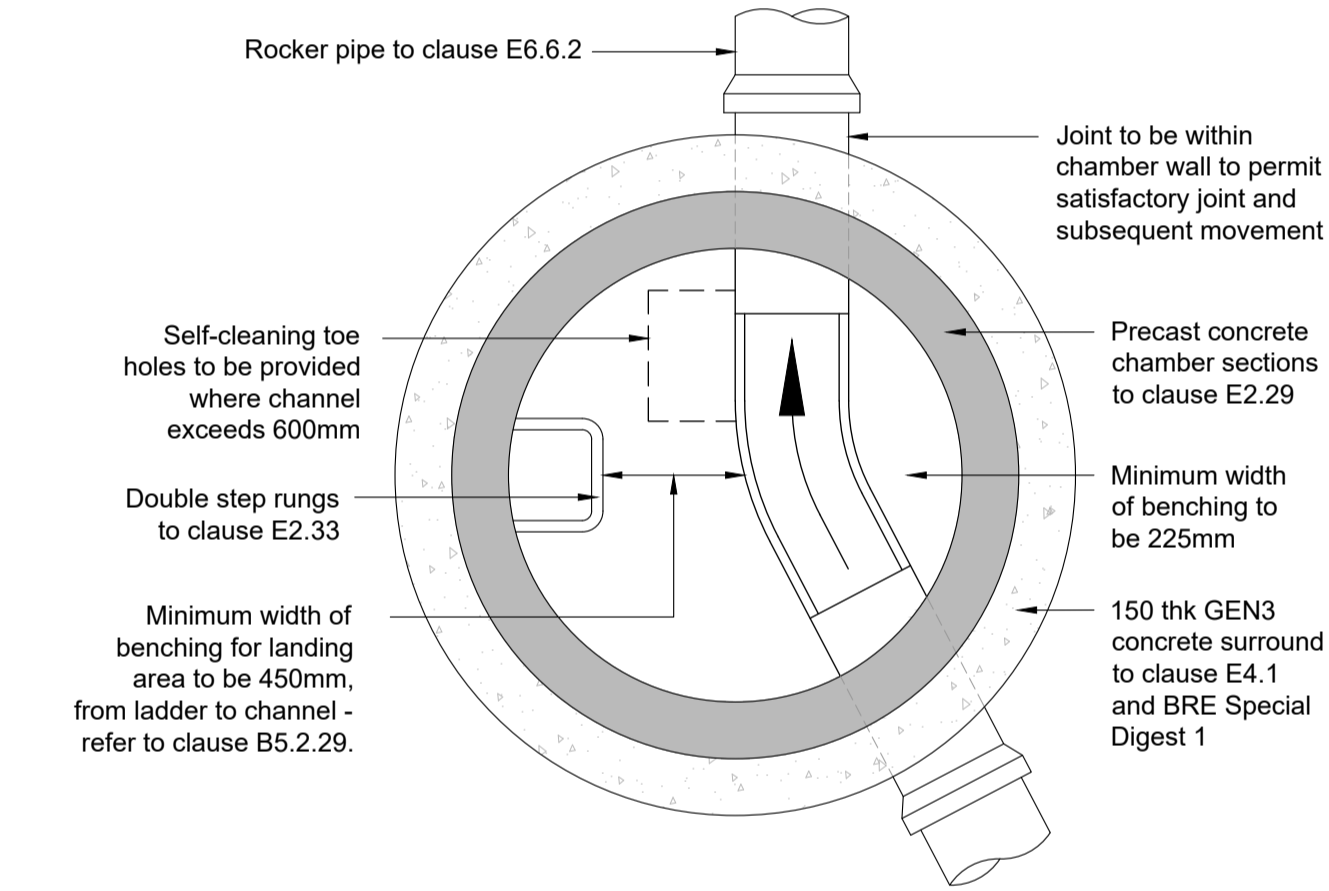
PLAN

Scale 1:20



MINI ACCESS CHAMBER DETAIL (MAC)

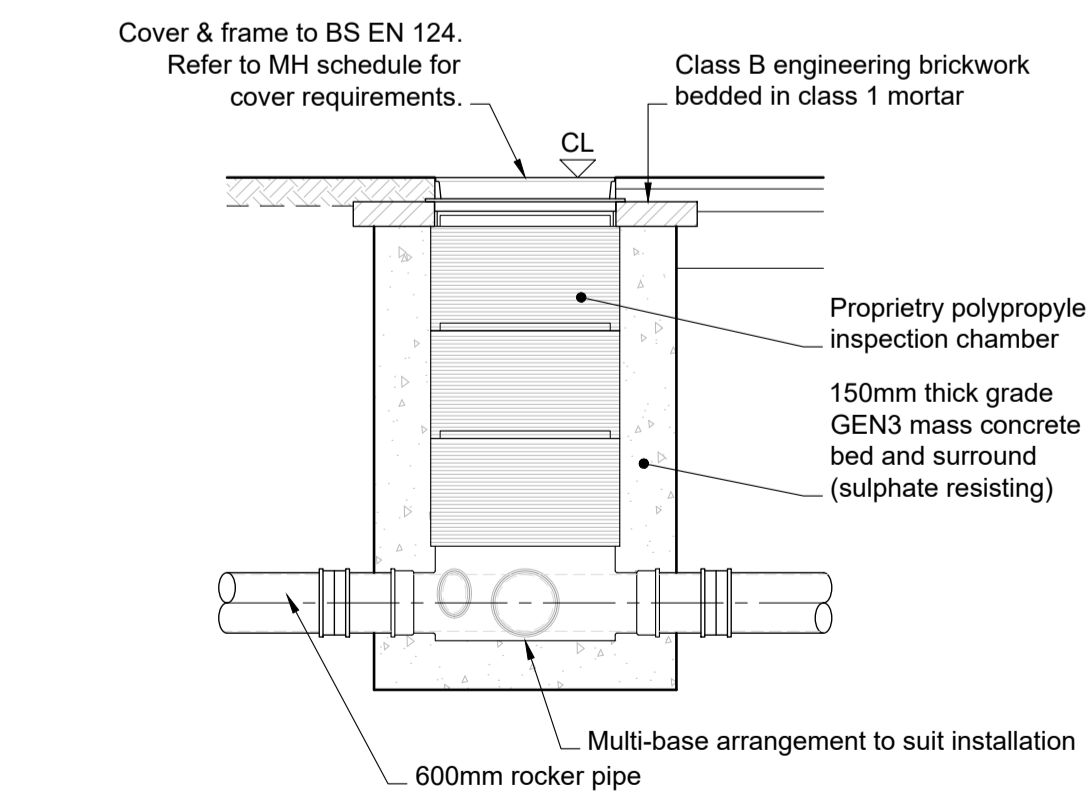
Scale 1:20



PLAN SECTION

MANHOLE TYPE B DETAIL (SSG FIGURE B10) (DEPTH TO SOFFIT 1.5m-3.0m)

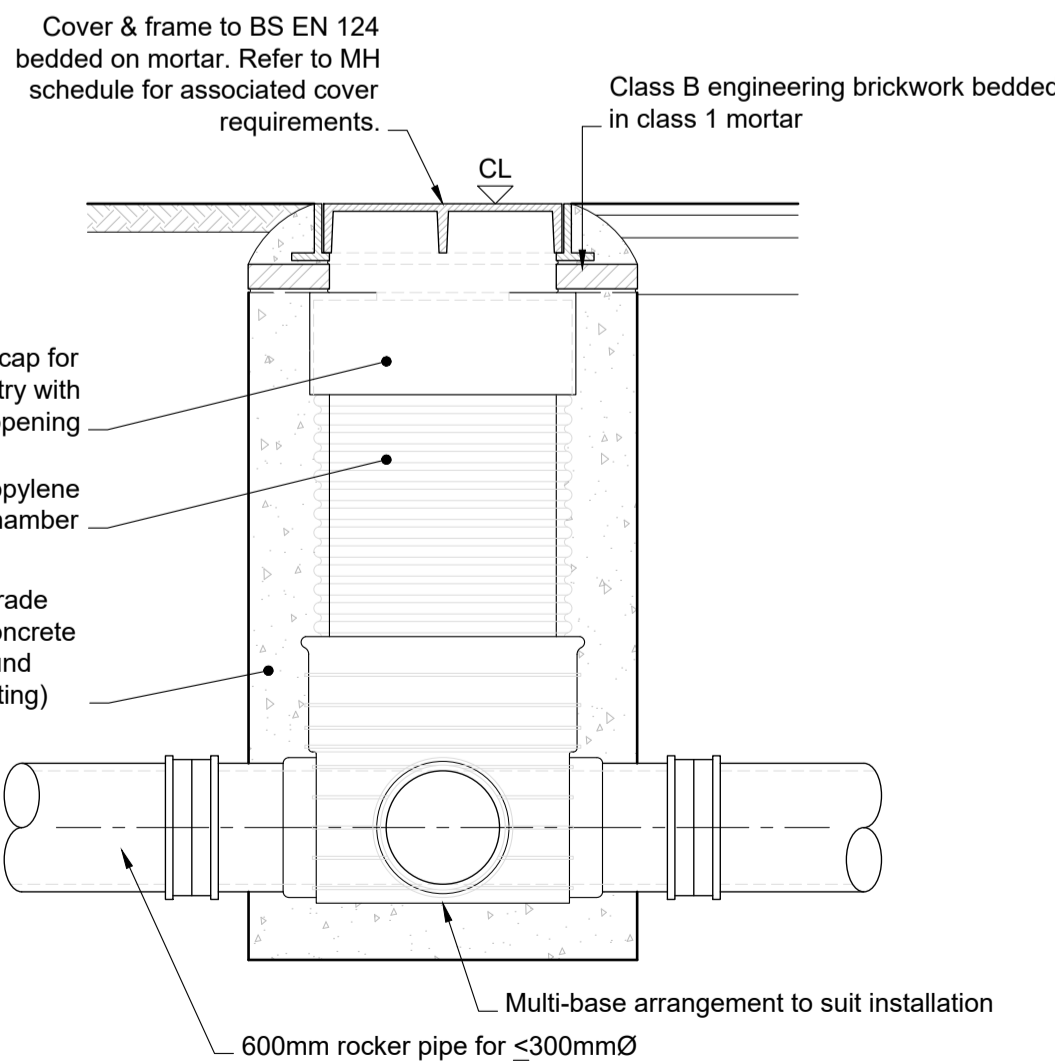
Scale 1:20



Notes: For depth from 0.6m to Max. depth 1.1m.
NOTE - Non-man entry restrictor cap to be used for depths from 1.1m to Max. 3.1m. To be installed in accordance chosen manufacturer's specific details.

450/600mm POLYPROPYLENE INSPECTION CHAMBER DETAIL (PPIC)

Scale 1:20



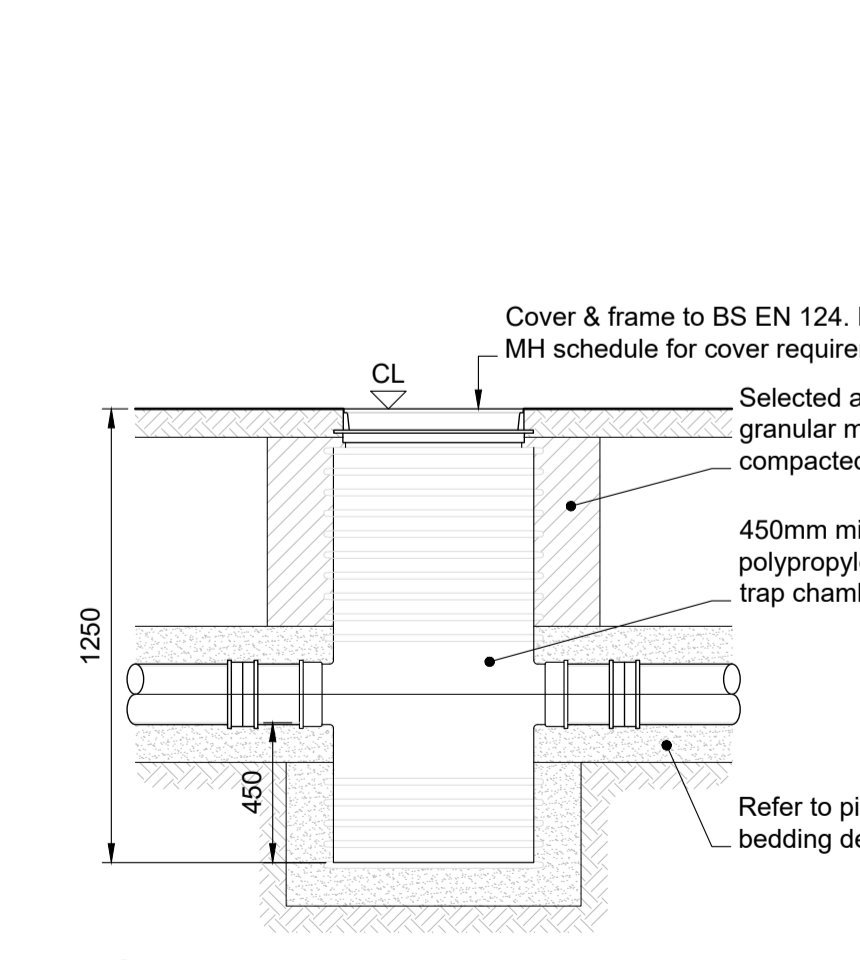
450/600mm POLYPROPYLENE RESTRICTED ACCESS INSPECTION CHAMBER DETAIL (RPPIC)

Scale 1:20

Notes: Maximum depth 0.6m. For use with 100mm Ø pipework. To be installed in accordance with manufacturer's details.

MINI ACCESS CHAMBER DETAIL (MAC)

Scale 1:20



Notes: Standard depth 1.25m. can be cut to suit required invert level. Depth can be increased with raising pieces as necessary with non-man entry 350mm Ø restrictor cap to be used for depths over 1m. For use with 100mm & 150mm Ø pipework. To be installed in accordance with manufacturer's details.

SILT TRAP CHAMBER DETAIL

Scale 1:20

Notes:

- Notwithstanding the details on this drawing, the undertaker is to ensure that all works comply with:
- The Building Regulations: Approved Document H: 2015
- Specification for Highway Works
- Design and Construction Guidance V2.1

Pipe Type	Material	Standard
Rigid	Vitrified Clay Concrete (SRPC)	BS EN 295 BS EN 1916
Flexible	Ductile Iron uPVC	BS EN 598 BS EN 1401

Granular Material:

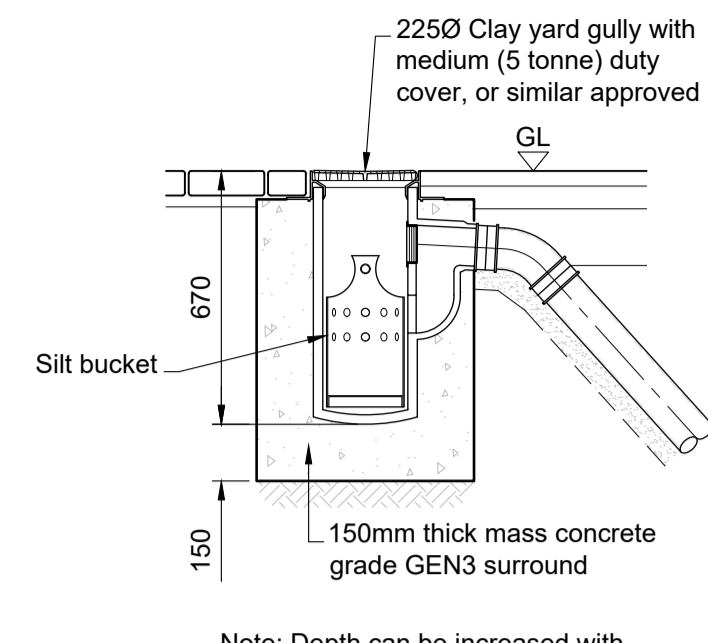
- Granular bedding material to consist of natural and/or recycled coarse aggregate or recycled concrete to BS EN 13242
- To be single sized material or graded material:

DN (mm)	Single Size (mm) or Graded (mm)	Max. (mm)
100	10	5-10
150	14	5-14
151-600	20	5-20
>600	40	5-40

- With 50mm Min. granular material bed to joints increased to 100mm in hard material.

Selected Fill Material:

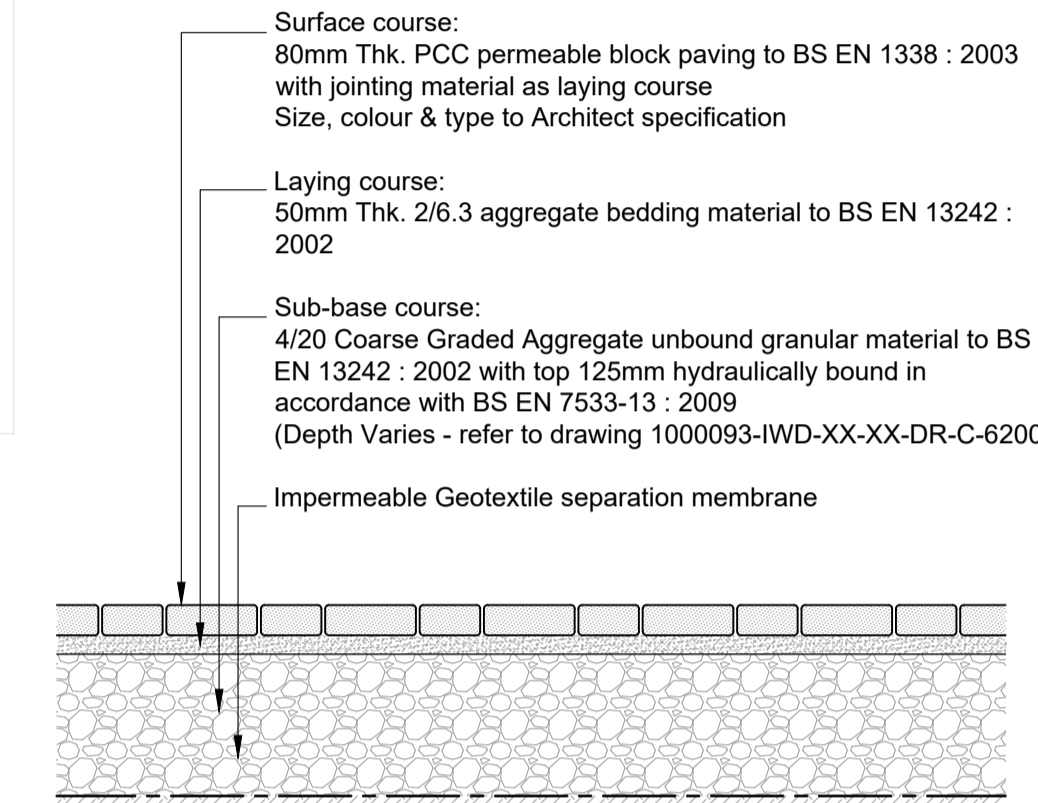
- Uniform readily compactable material locally excavated or imported.
- To be free from:
 - Clay lumps retained on a 75mm sieve,
 - Stones retained on a 25mm sieve,
 - Tree roots, vegetable matter, building rubbish and frozen soil.



YARD GULLY DETAIL

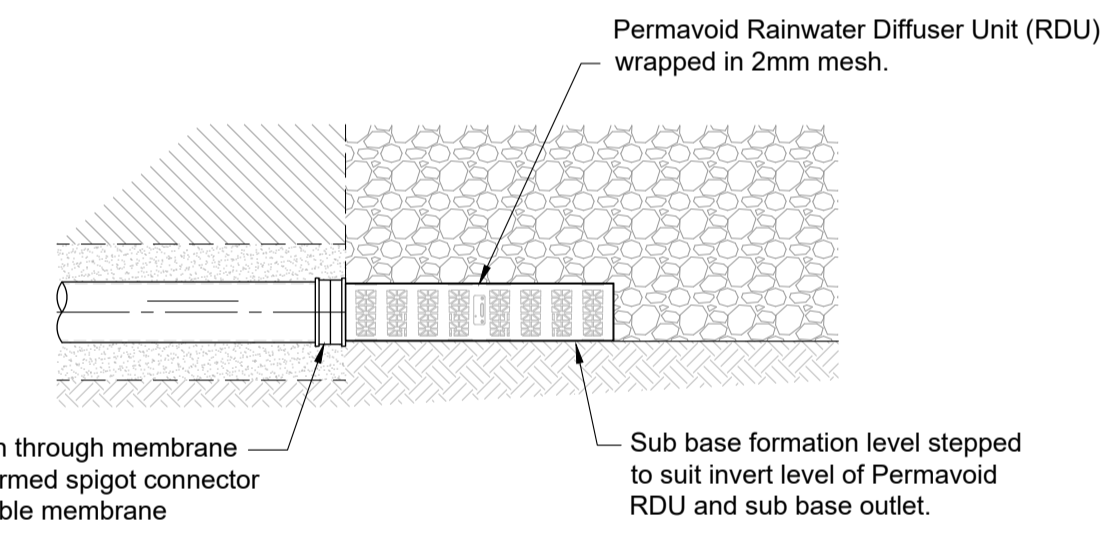
Note: Depth can be increased with raising piece up to 300mm

Scale 1:20



TYPICAL PERMEABLE BLOCK PAVING CONSTRUCTION DETAIL

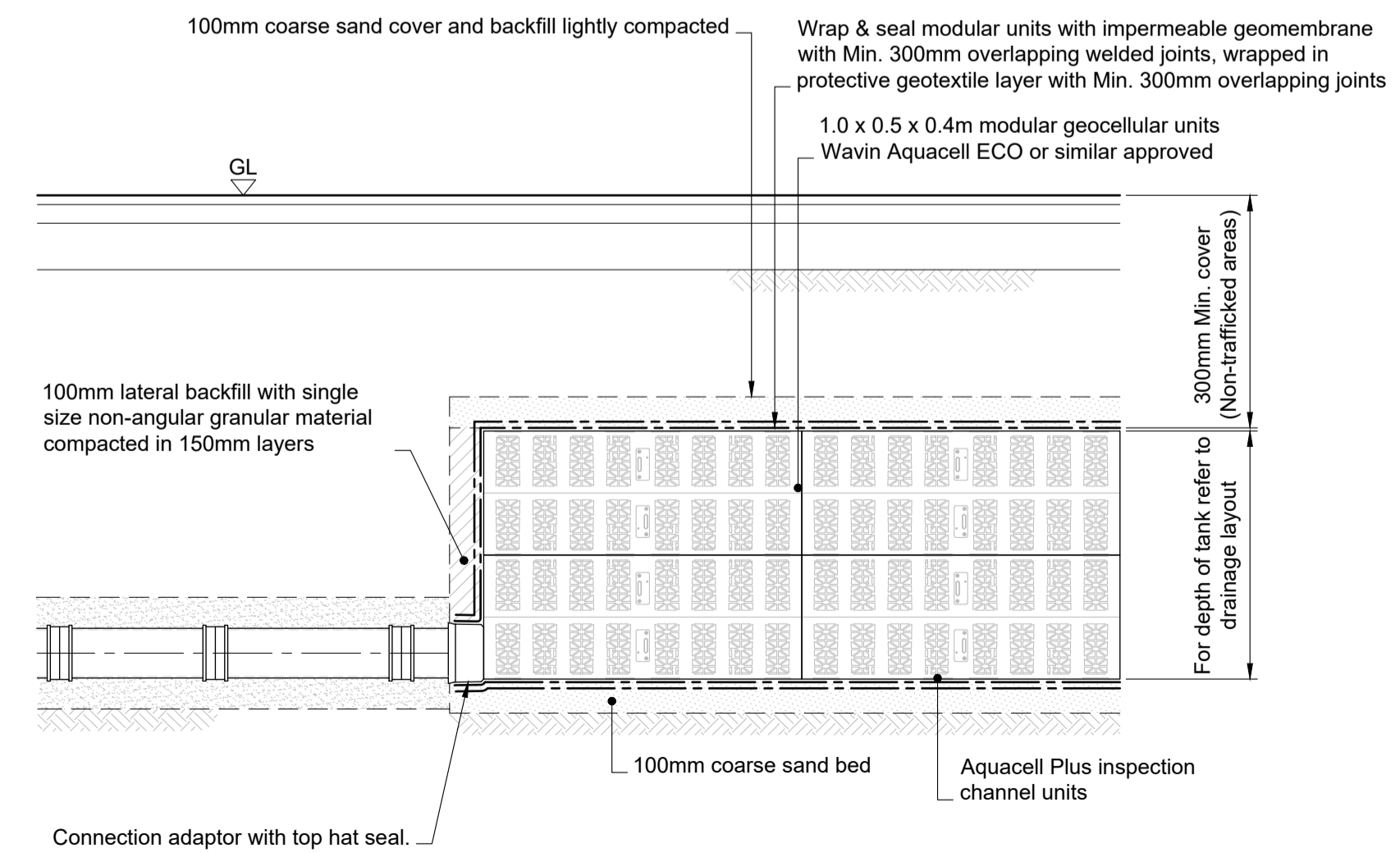
Scale 1:20



Notes: Modular geocellular inlet units to be installed in accordance with manufacturer's details & specification.

SUB BASE INLET/OUTLET CONSTRUCTION DETAIL

Scale 1:20



Notes: To be installed in accordance with manufacturer's details & specification. Tank to be ventilated by connections at soffit level.

TYPICAL SECTION THRO' BURIED ATTENUATION TANK INSTALLATION DETAIL

Scale 1:20

Ingleton Wood LLP shall have no liability to the Employer arising out of any unauthorized modification or amendment to, or any transmission, copy or use of the material, or any proprietary work contained therein, by the Employer, Other Project Team Member, or any other third party. All dimensions are to be checked and verified on-site by the Main Contractor prior to commencement, any discrepancies are to be reported to the Contract Administrator.

This drawing is to be read in conjunction with all other relevant drawings and specifications

Do Not Scale Ingleton Wood LLP

NOTES:

- This drawing is to be read in conjunction with all other Architect's, Engineer's and Specialist's drawings, specifications and documentation as part of the design package of information.
- All private drainage works are to be constructed in accordance with the Building Regulations Approved Document H : 2015.

DRAINAGE NOTES - GENERAL

- Connections to the existing public sewers shall be subject to the approval of the Sewerage Undertaker and shall be carried out by a contractor approved by them. The contractor shall comply with the requirements of the Sewerage Undertaker with regards to submitting method statements, risk assessments etc for obtaining a 'permit to work' on the existing sewer.
- Where possible orientation of manhole access covers to be orthogonal with adjacent kerb line.
- Manhole covers to be set flush with binder course on new road construction and raised to final levels when surface course is laid at later date.
- All cement and concrete products used in foul and surface water sewers to be sulphate resisting.
- All pipes entering or leaving manholes shall be laid with their soffits level, unless shown or agreed otherwise.
- Gully connections to be 150mm Dia at a gradient no flatter than 1 in 150 unless stated otherwise.
- All private connections to adopted foul and surface water sewers to be made with either VC or concrete pipes.

PRIVATE DRAINAGE NOTES

- All private foul and storm water sewers shall be 100/110mm dia clayware or PVC unless stated otherwise. Storm sewers shall be laid at a gradient no flatter than 1 in 100, and foul sewers to a gradient no flatter than 1 in 80 unless stated otherwise on the drawings. Private foul drains without a WC connected shall be laid to a gradient no flatter than 1 in 40.
- All private connections to adopted foul and surface water sewers to be made with either VC or concrete pipes.
- The private foul and storm water drainage shall be subject to inspections by the local building control officer. The contractor shall liaise with the building inspector with regard to making inspections at the appropriate stages of the work.

Protection To Private Sewers:-

- Type S bedding to be used in non-trafficked areas.
- Type S bedding to be used in trafficked areas where the cover to the crown of the sewer is greater than or equal to 900mm.
- Concrete Pipe Surround (Type Z) to be used in trafficked areas where the cover to the crown of the sewer is less than 900mm.

Rev	Description	Date	Cnk	Apr
P02	Issued for Planning Approval	11/12/23	PA	RL
P01	First Issue.	29/11/23	PA	RL

Project No: 1000093 Scale @ A1: 1:20 Drawn By: LP

Ingleton Wood Property and Construction Consultants
 Invoicing office: Cambridge, T: 01223 965200
 www.ingletonwood.co.uk

Vision, form and function

Project:
SoloHaus Modules
Lower Meadow
Harlow
Essex, CM18 7RE

Client:
The Hill Group

Title:
Drainage Construction Details

Drawing Number:	Status:	Purpose of Issue:	Revision:
1000093-IWD-XX-XX-DR-C-6201	S4	Planning Approval	P02