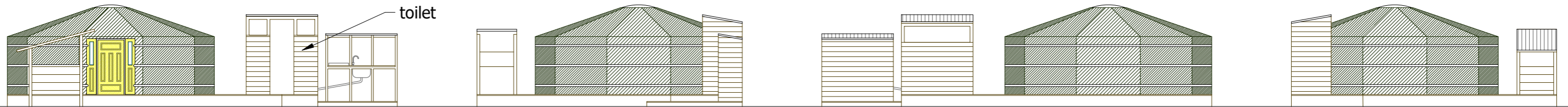


Site plan ref: **2** Yurts, **8** Footbridge and **9** **19** Water tanks

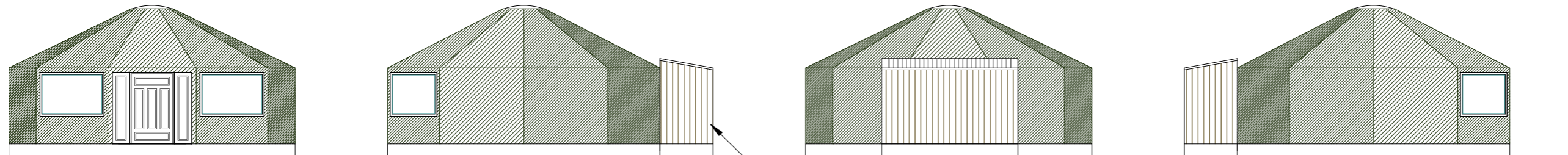
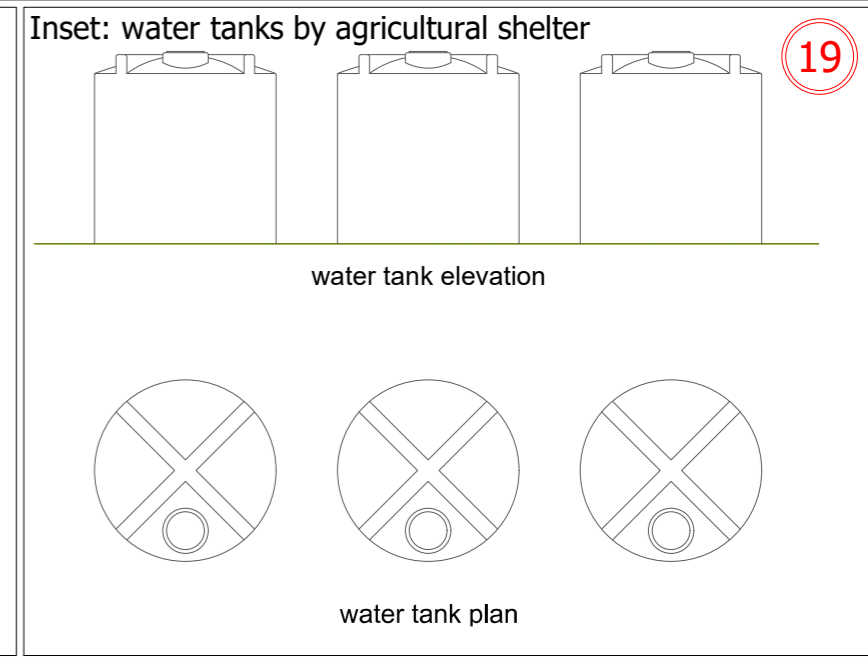
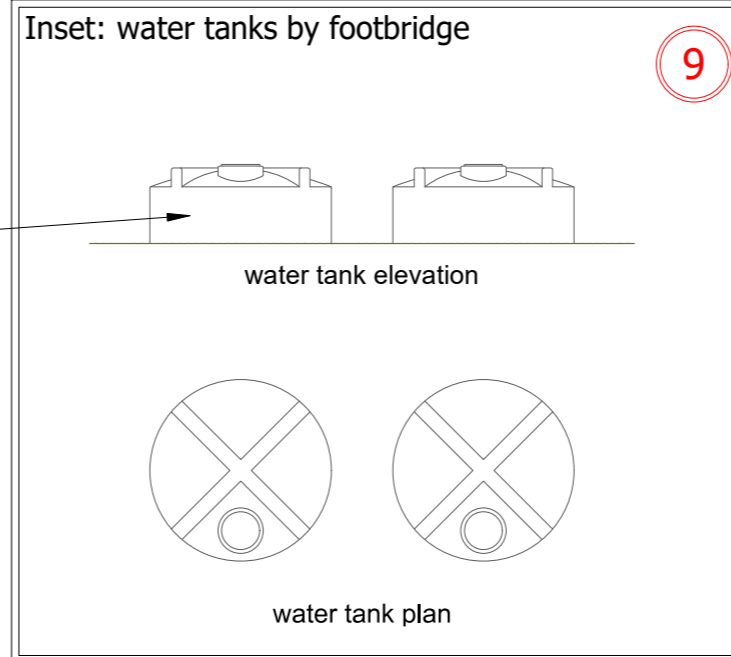
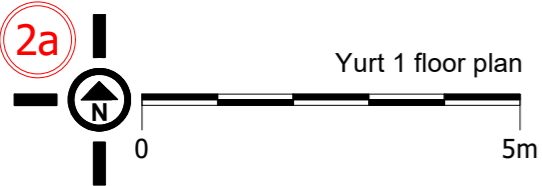
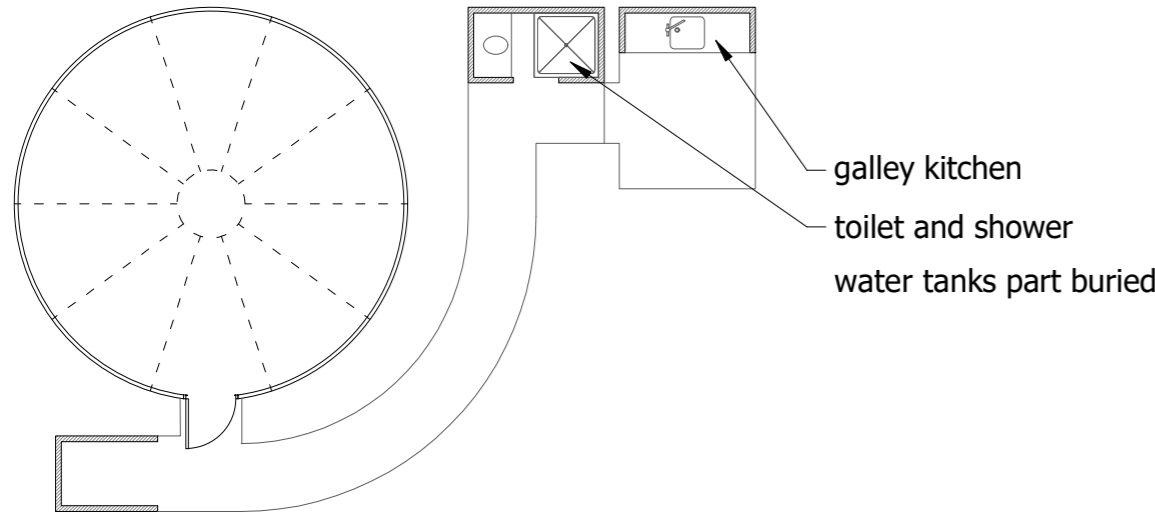


front (South) elevation

side (East) elevation

rear (North) elevation

side (West) elevation

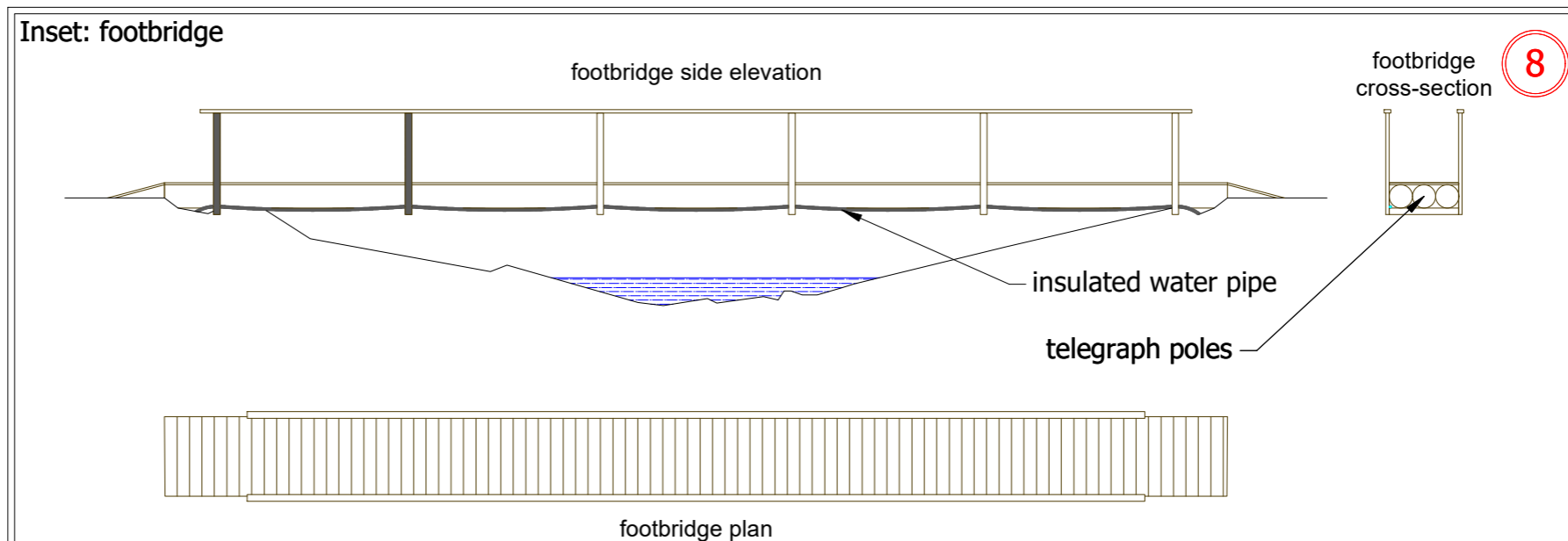
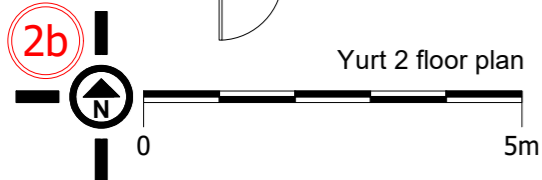
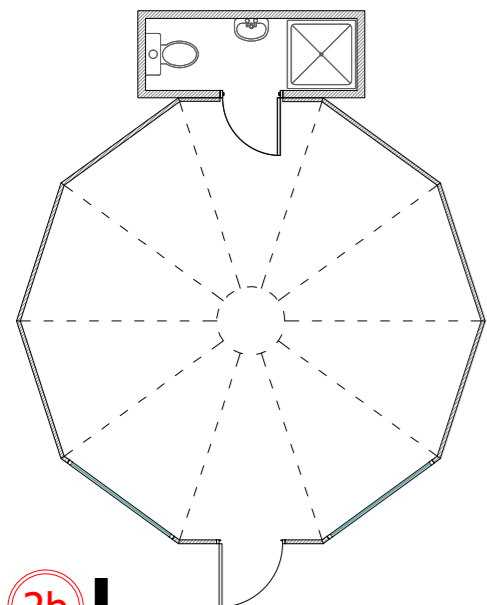


front (South) elevation

side (East) elevation

rear (North) elevation

side (West) elevation



sureline
DESIGN SERVICES LTD
Tel: 07826 705493
E-mail: mail@sureline.org.uk

Site: Garddafon, Tafolwern
Job: One Planet Development
Client: Alistair & Gosia Meikle

Drgs: Yurts, footbridge & tanks
File: Garddafon
Scale: 1:100 at A4
Date: 10/02/24 Dm: MDH
Drg no: 104 REV: D

© Sureline Design Services Ltd. All rights reserved. Unauthorised reproduction of plans, logos or text in part or in full is prohibited. All dimensions to be checked on-site prior to ordering materials or starting construction