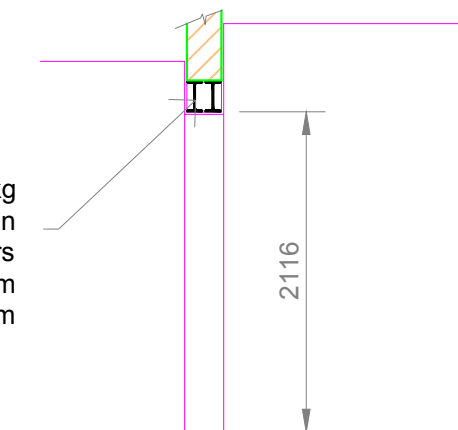


Install 2/203 x 102 x 23kg beams over opening in accordance with engineers details. Enclose in 12.5mm fireline plasterboard + skim



**SECTION AA
(1:50)**

A	Windows in north & south elevations added	12.2.24
REVISIONS		

Robin Akers Ltd
 Architectural Consultants
 1 Lee Close, Charlbury,
 Oxon OX7 3SG
 tel 01608 810012
 e-mail robin.akers@virgin.net

JOB:
 Alterations to Ground Floor
 1 Wesley Walk
 High St
 Witney
 Oxon OX28 6ZJ

DRAWING:
 Ground Floor Plan

DRAWN:	CHECKED:
SCALES: 1:100@A2	DATE: 12.2.24
JOB No.	DRAWING No. REV.
	P2 A

