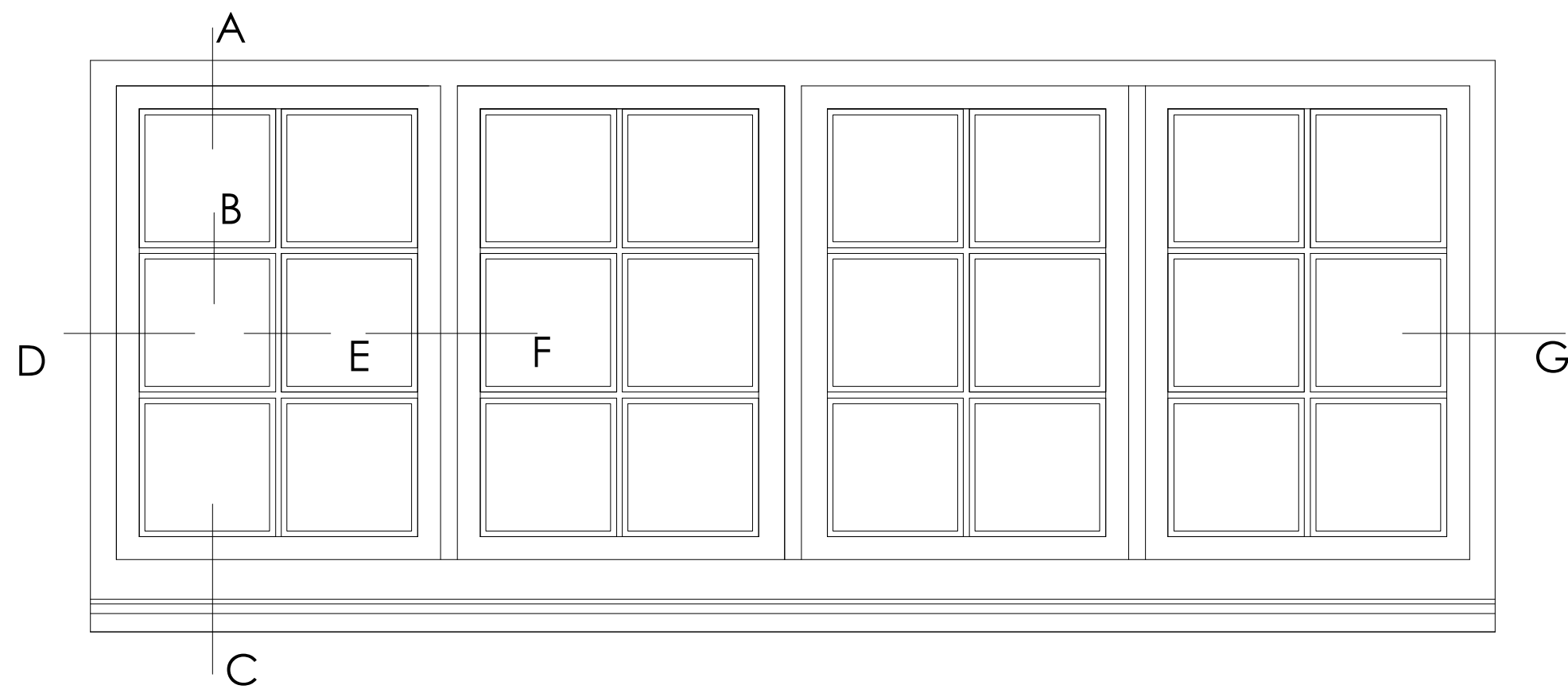
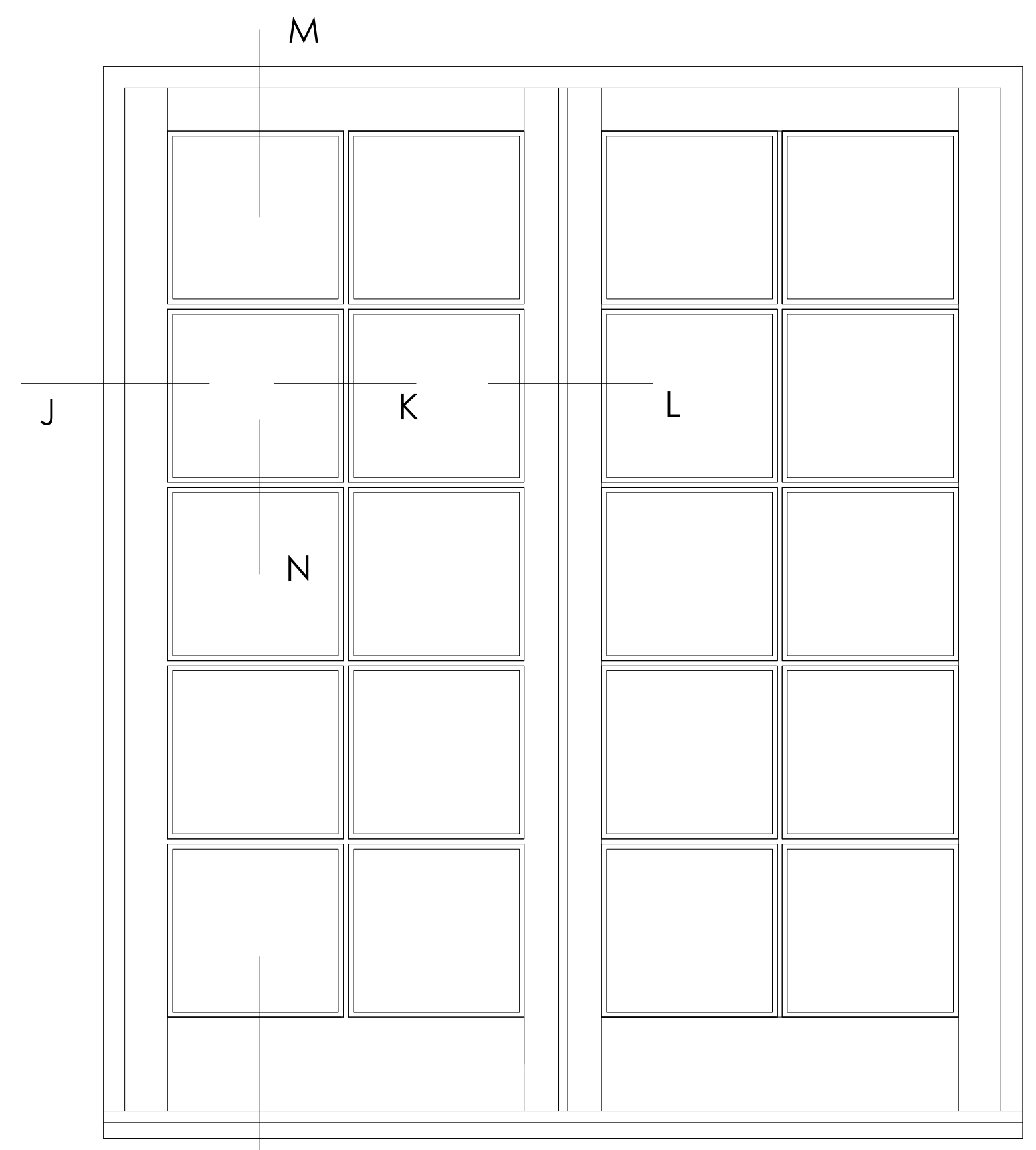


NOTE DO NOT SCALE THIS DRAWING - USE DIMENSIONS
 The Contractor is to check and verify all dimensions on site before starting work and report any omissions or errors.
 This drawing is to be read in conjunction with all relevant consultants and specialists drawings.
 This Drawing is Copyright
 This drawing is issued for the sole and exclusive use of the named recipient. Distribution to any third party is on the strict understanding that no liability is accepted by Thurlow Architects for any discrepancies, errors or omissions that may be present, and no guarantee is offered as to the accuracy of information shown.

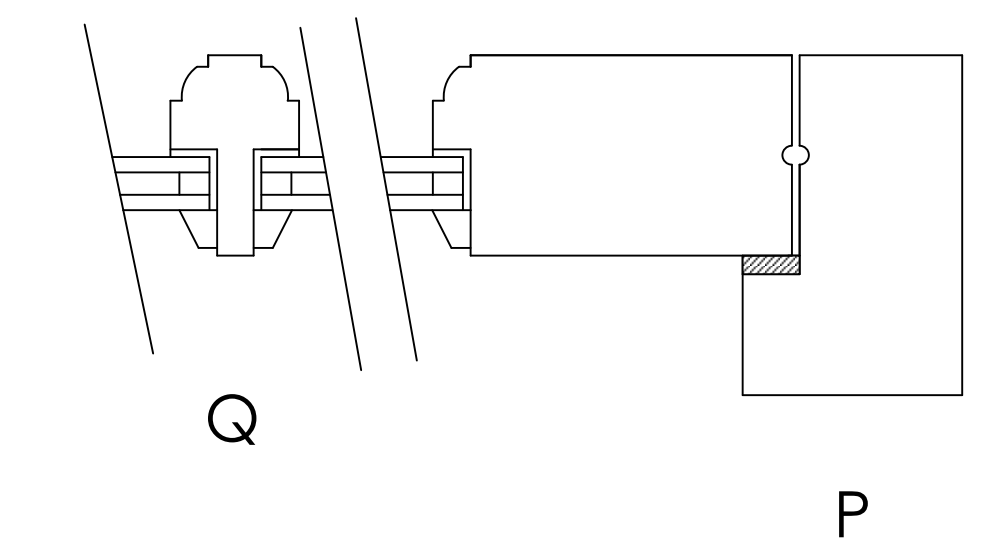
REVISIONS			
Rev	Notes	By	Date



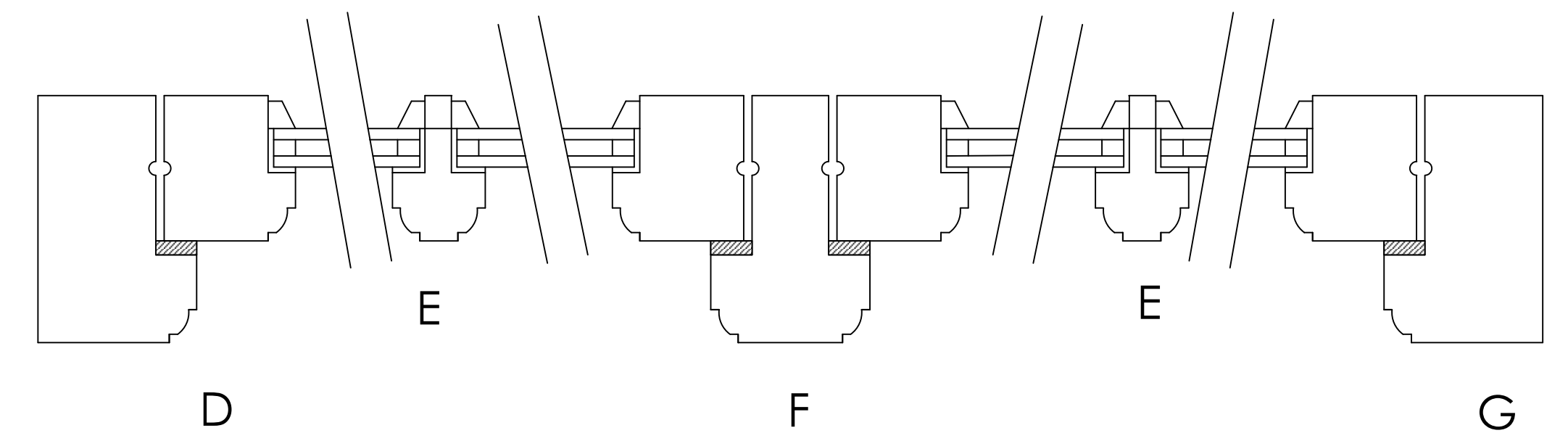
GW01 Elevation 1:10



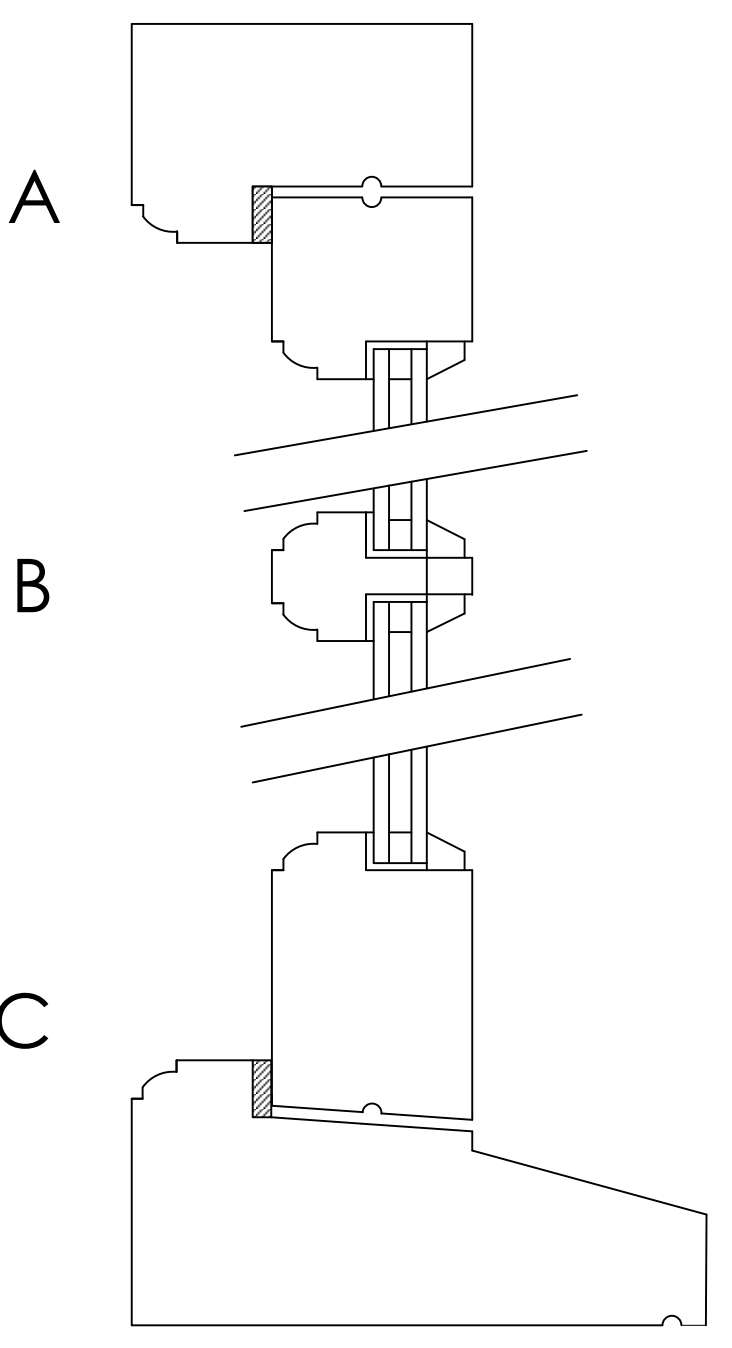
GD01 Elevation 1:10



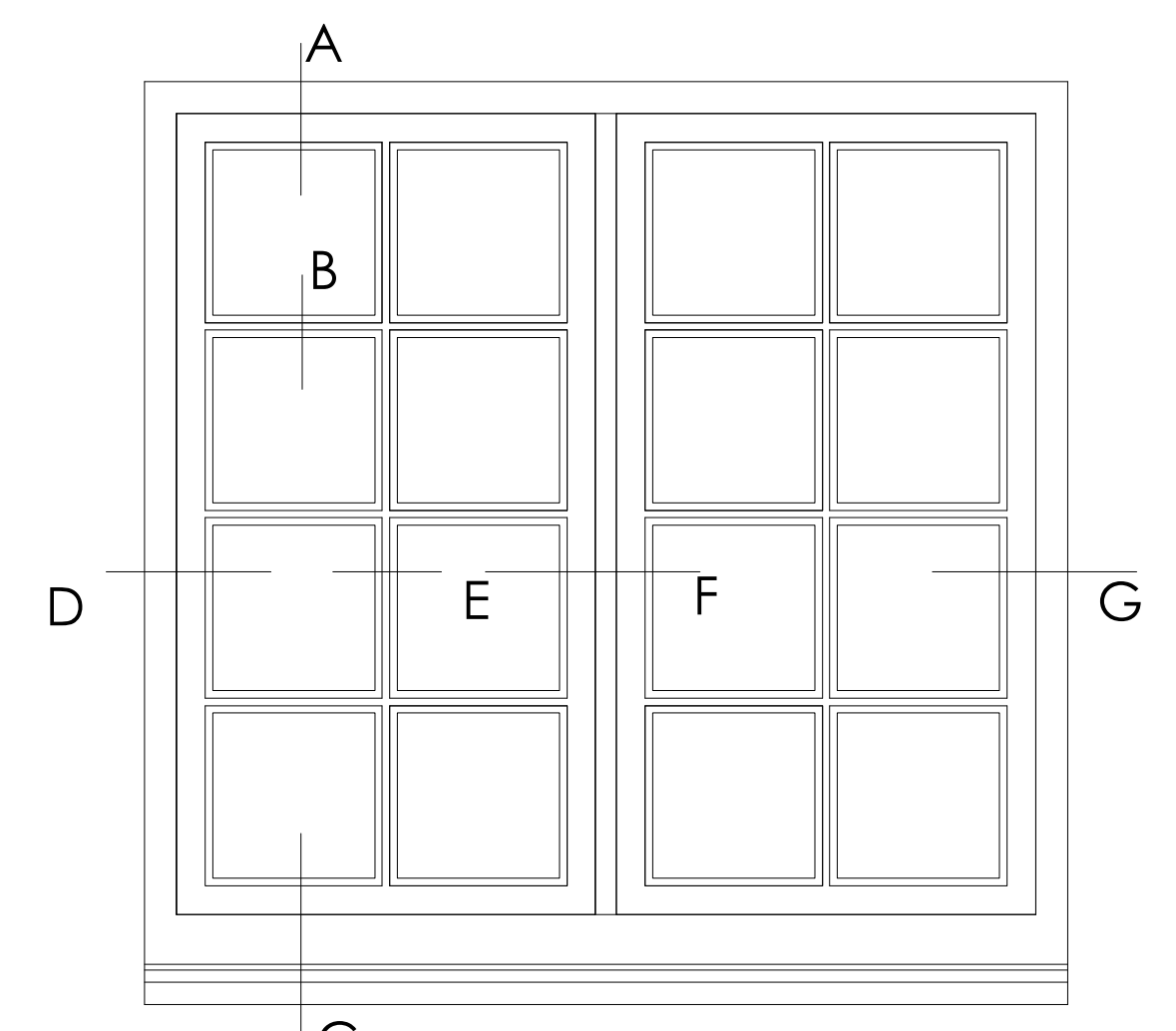
Door Details 1:2



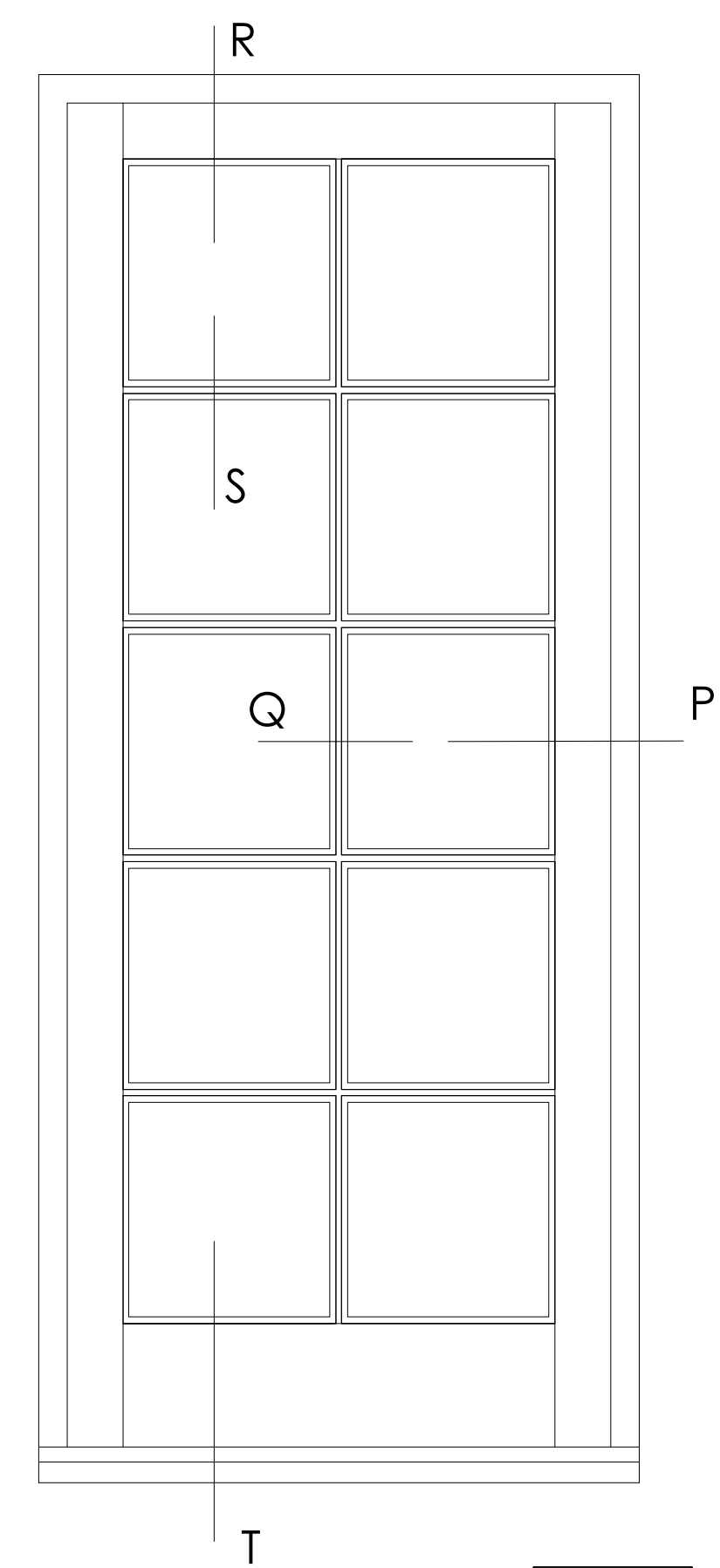
Window Details 1:2



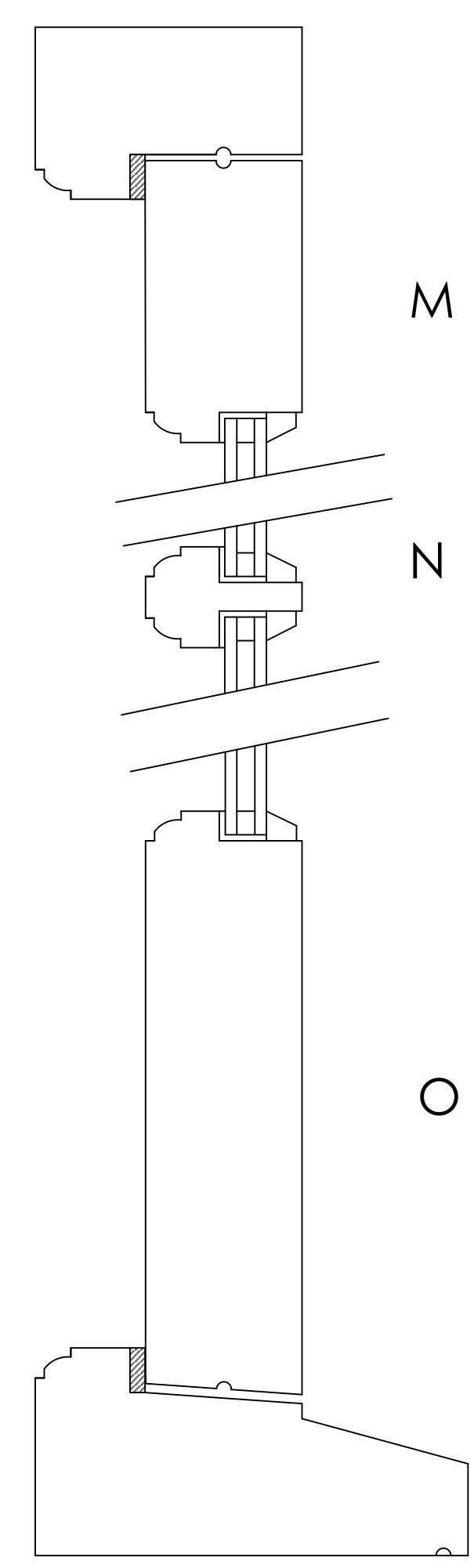
Window Details 1:2



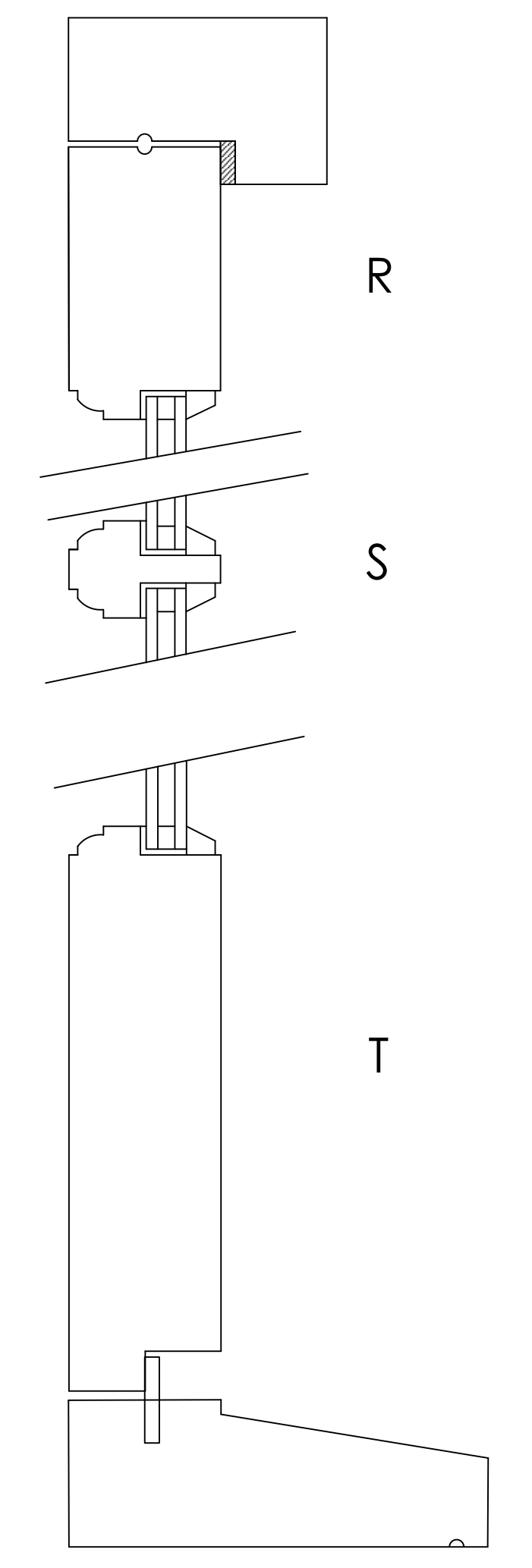
GW02 Elevation 1:10



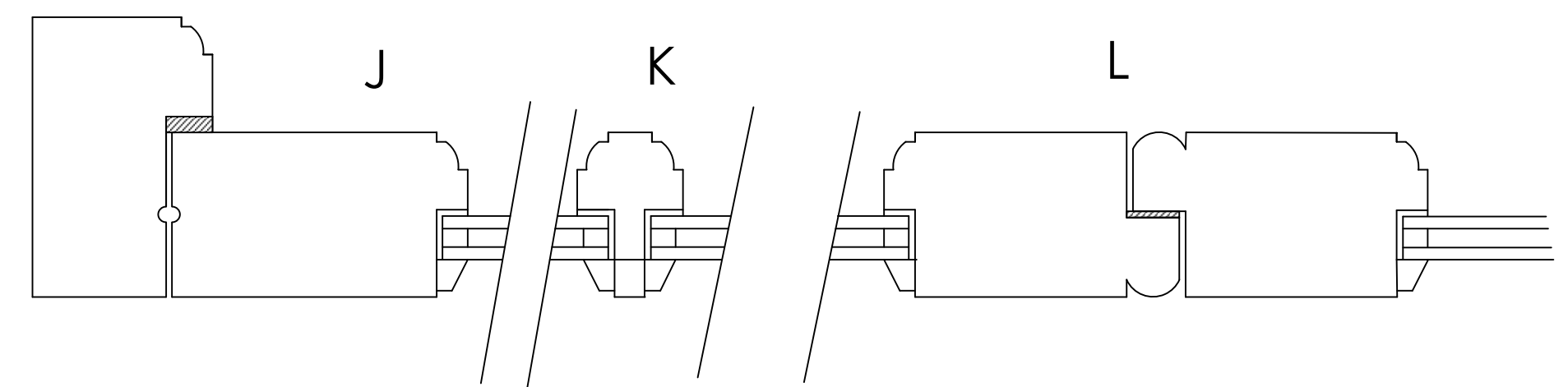
GD02 Elevation 1:10



Door Details 1:2



Door Details 1:2



Door Details 1:2

General Notes.
 Safety glazing as required by building regulations.
 Double glazing to all timber windows and doors with 14mm units. (subject to safety glazing requirements).
 All frames timber and painted.
 Drawings to be read in relation to Building Regulation layouts and notes.

ThurlowArchitects
 the studio
 61 hardwick lane
 bury st edmunds
 suffolk, ip33 2rb
 t: 01284 706805
 info@thurlowarchitects.co.uk
 www.thurlowarchitects.co.uk

RIBA Chartered Practice

client:
Mr and Mrs Joel-Dicks

project:
Church Cottage, Hessel, Bury St Edmunds, Suffolk, IP30 9AX

drawing title:
 Proposed Joinery Details.

project no: 7529	dwg no: 200	rev: 1/1	drawn: lt	scale: As st	date: 02/24
---------------------	----------------	-------------	--------------	-----------------	----------------

drawing status: **Planning**