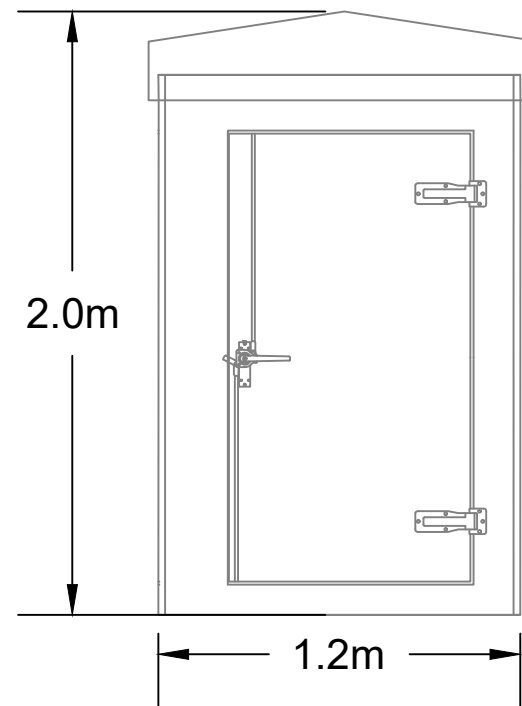
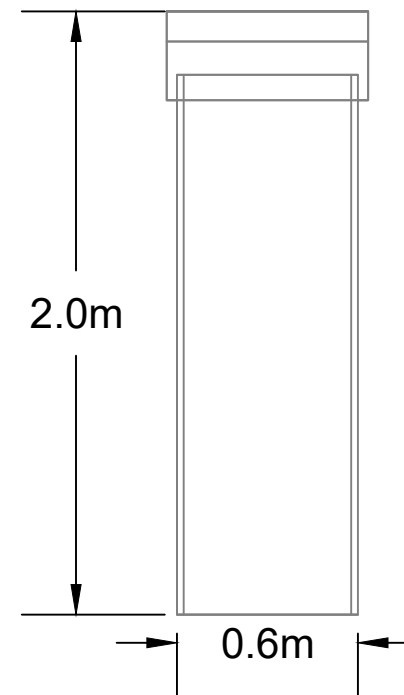


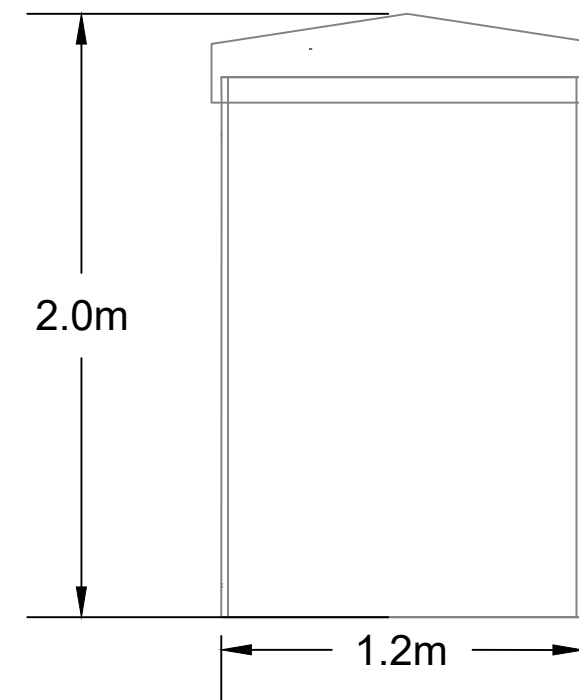
**ELEVATION @ 'A'**



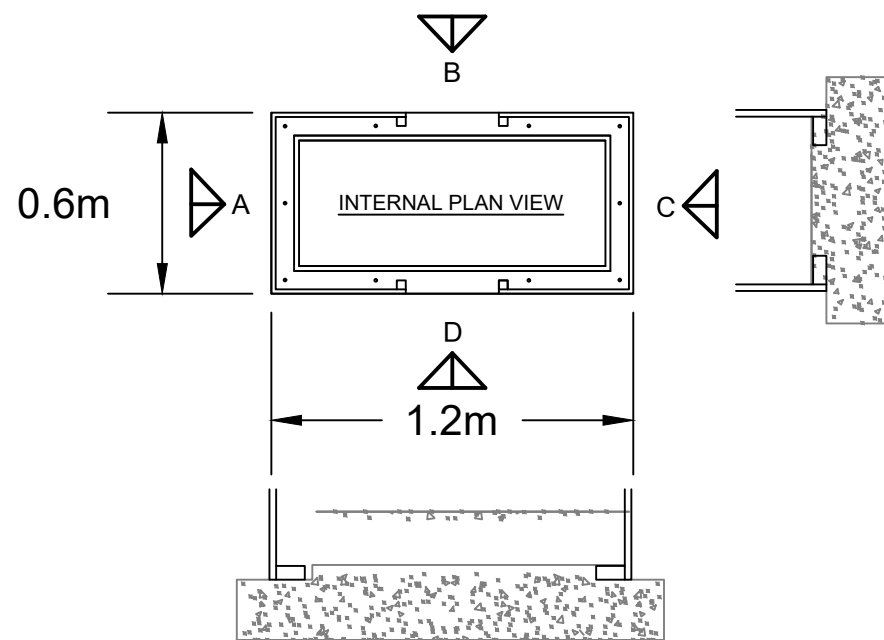
**ELEVATION @ 'B'**



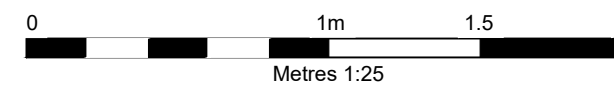
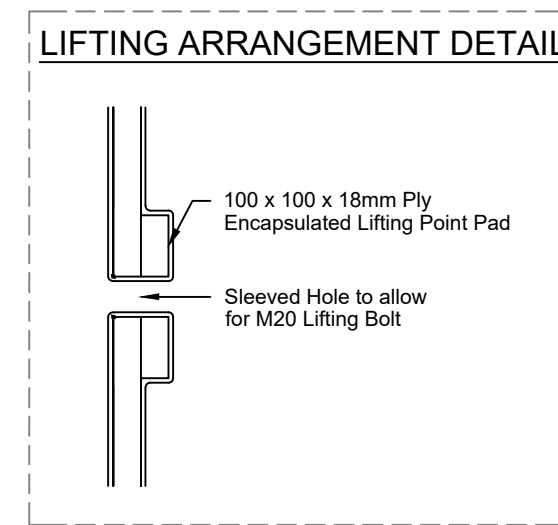
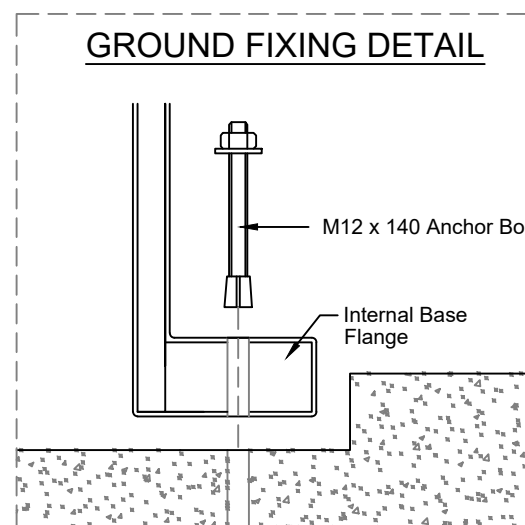
**ELEVATION @ 'C'**




**ELEVATION @ 'D'**




**PLAN**





---



AMP CLEAN ENERGY  
1 DOVER STREET  
LONDON  
W1S 4LD

---

200kW / 800kWh  
MICRO ENERGY STORAGE UNIT

Battery Box  
Plan depicting Electrical Cabinet

**ELECTRICAL CABINET  
PLAN AND ELEVATIONS**

---

**PLAN 5**

---

Scale

1:25 @ A3