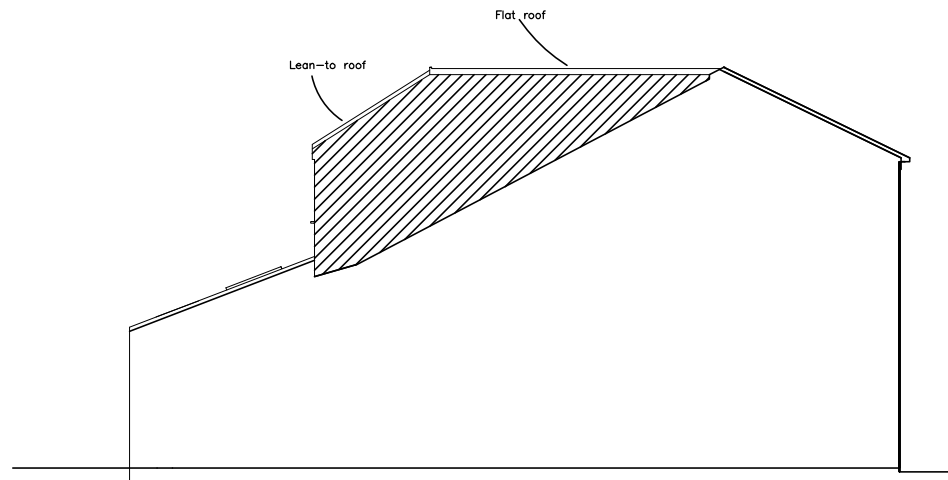
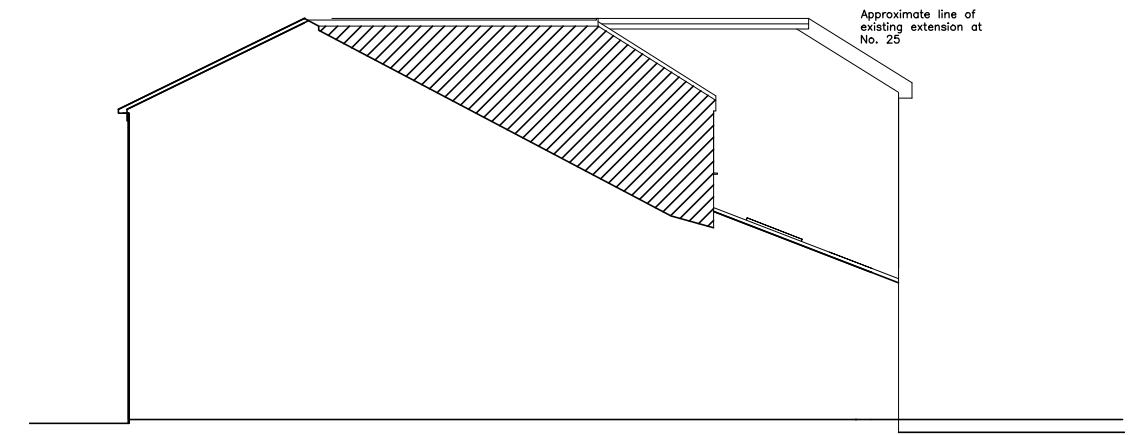




PROPOSED REAR ELEVATION



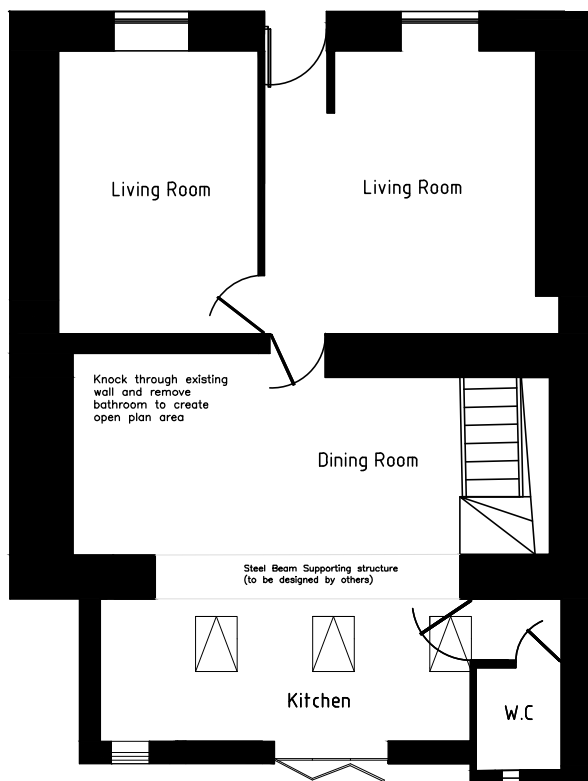
PROPOSED SIDE ELEVATION



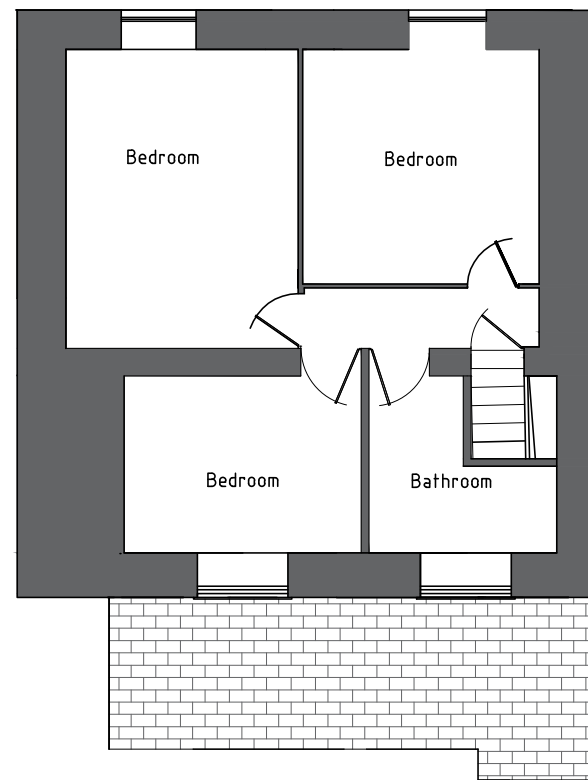
PROPOSED SIDE ELEVATION

EXTERNAL FINISHES:

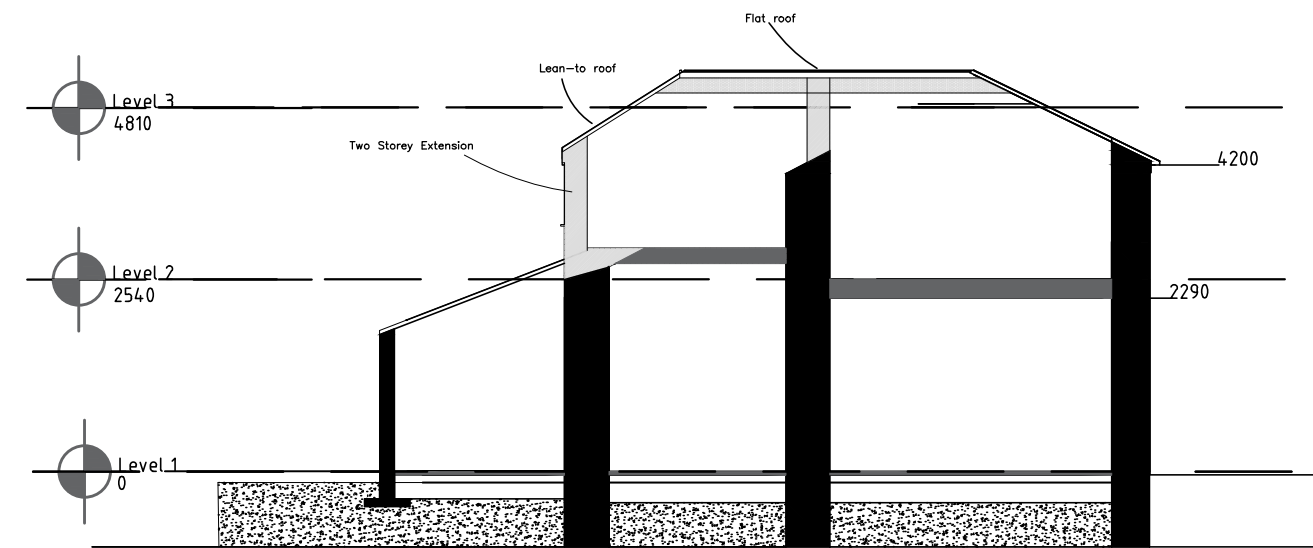
- Flat roof – EPDM material
- Lean-to – Slate
- Walls – Render
- Windows – Upvc




PROPOSED GROUND FLOOR PLAN



PROPOSED FIRST FLOOR PLAN



Title: Proposed Plans Drawing No.: P/02 Scale 1:100 @ A3		Liam Jones MRTPI 
Project: Extension	Site: 26 College Row, Ystradgynlais	
Date: January 2024		

NOTE: Drawings for Planning Purposes only.